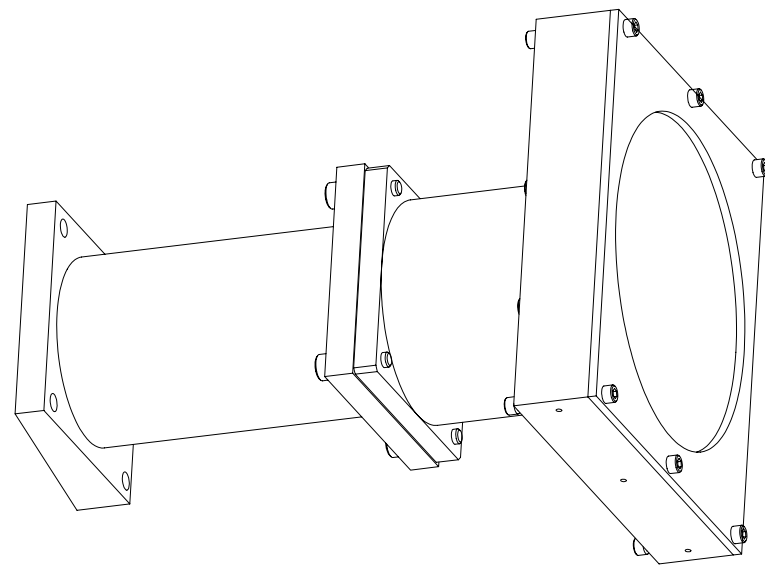
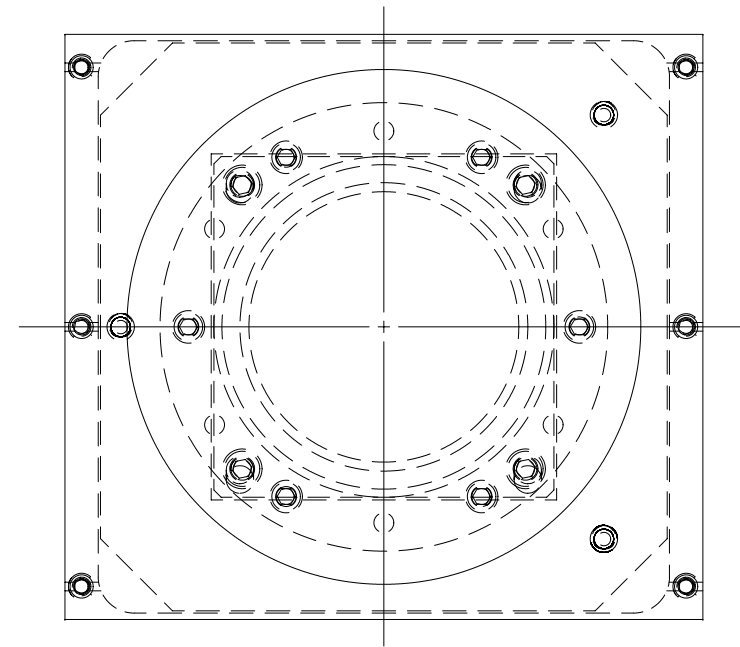
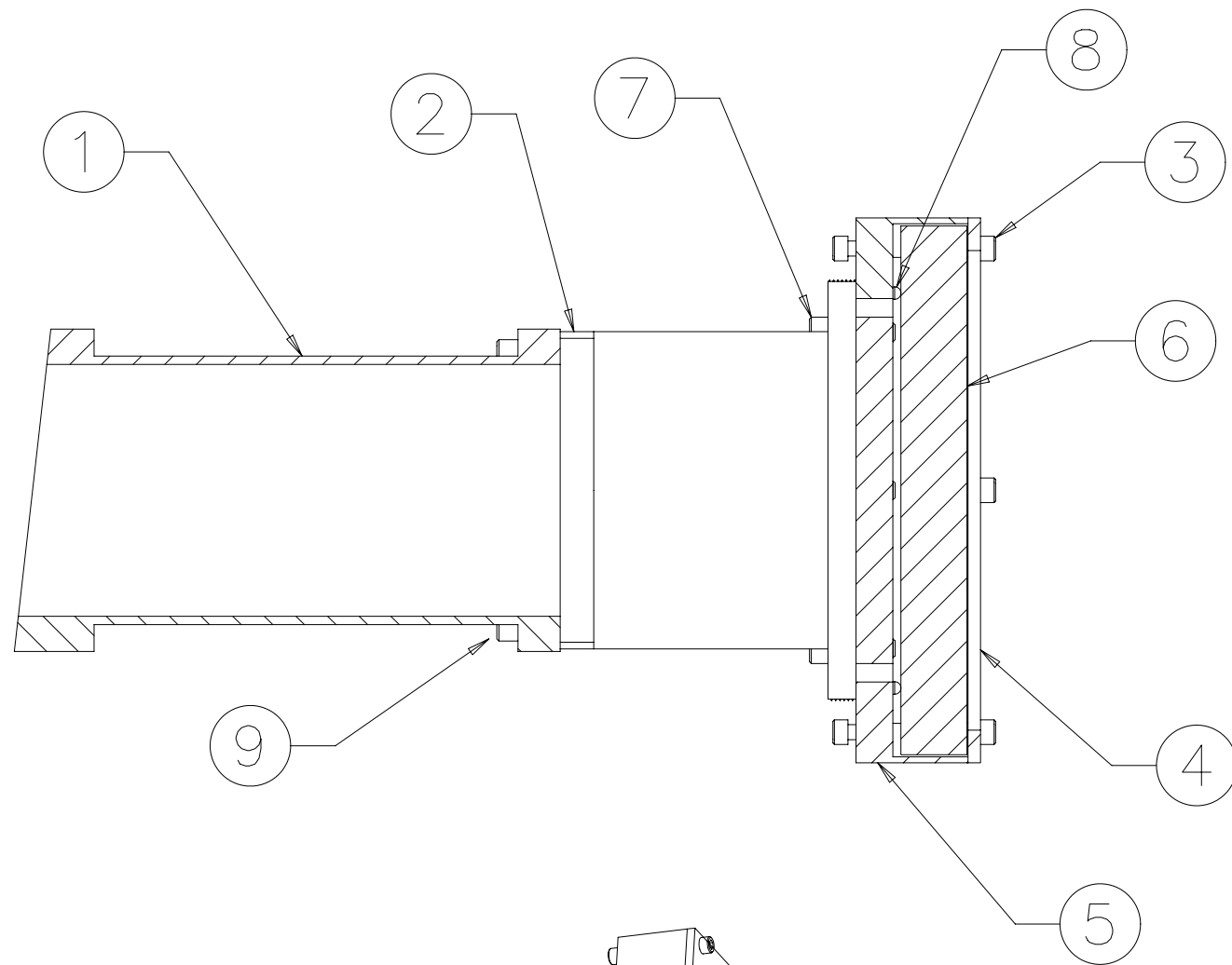


REV.	DESCRIPTION	APPROV.	DATE



9		SCREW H.S. HEAD M4X16	4	S. S. 303	0.01
8		STUBBY PLUNGER DELRIN NOSE	3	REID LNK-2SN	0.00
7		SCREW H.S. HEAD #6-32X1/2	6	S. S. 303	0.00
6	030022	MIRROR-1ST FOLD	1	QUARTZ	0.58
5	052020	MIRROR HOLDER-1ST FOLD	1	ALUMINUM 6061-T6	0.60
4	051026	MIRROR COVER-1ST FOLD	1	ALUMINUM 6061-T6	0.07
3		SCREW H.S. HEAD #4-40X3/8	10	MS16995-10	0.00
2	050022	TIP TILT DUMMY	1		0.18
1	050020	TIP TILT ASSEMBLY MOUNT	1	ALUMINUM 6061-T6	0.35
ITEM	PART NO	DESCRIPTION	QTY	MATERIAL	WEIGHT(LB)

# NIRES-D85

Infrared Physics  
CALIFORNIA INSTITUTE OF TECHNOLOGY  
Pasadena, California

UNLESS OTHERWISE SPECIFIED  
DIMENSIONS ARE IN INCHES  
.005/.010 EDGE BROKEN  
THREADS PER MIL-S-7742  
MACHINED SURFACE 63 MAX  
MACHINED INSIDE CORNER  
R.005 MAX  
TOLERANCE  
.XX: ±.01    X/XX: ±1/64  
.XXX: ±.005    ANG:±.5

SIGNATURE		DATE
DWN BY	SEAN LIN	3 2 06
CHK BY		
APPR BY		

TITLE	1ST FOLD MIRROR ASSEMBLY	
DRAWING NUMBER	005008-1	REV. N/C
DWG SIZE <b>B</b>	SCALE 1/1	SHEET 1 OF 1

NEXT ASSEMBLY

NOTE :