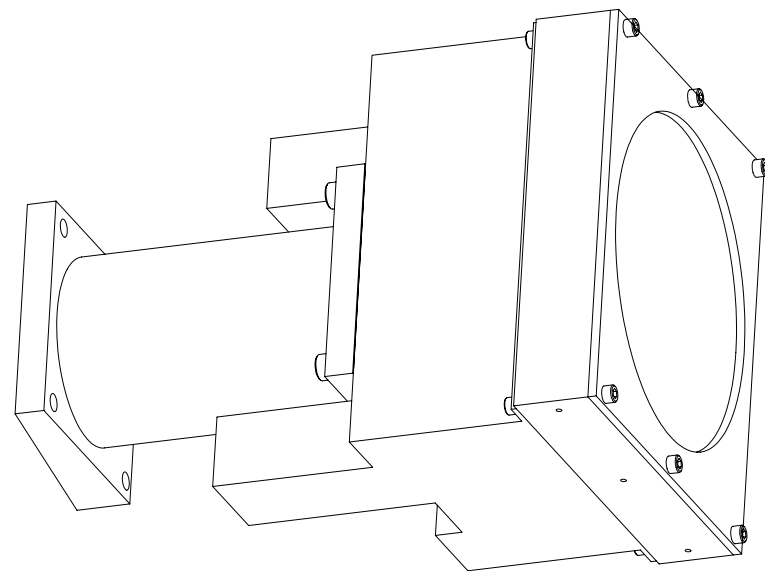
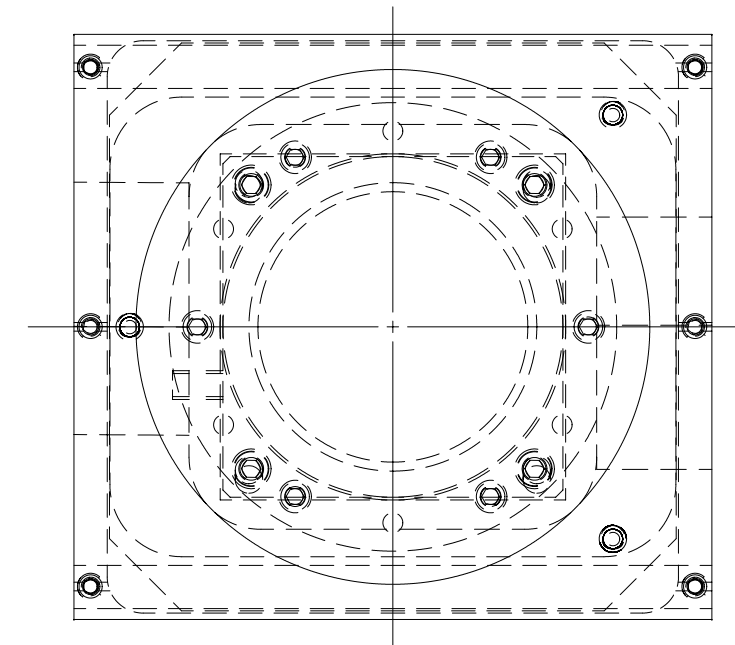
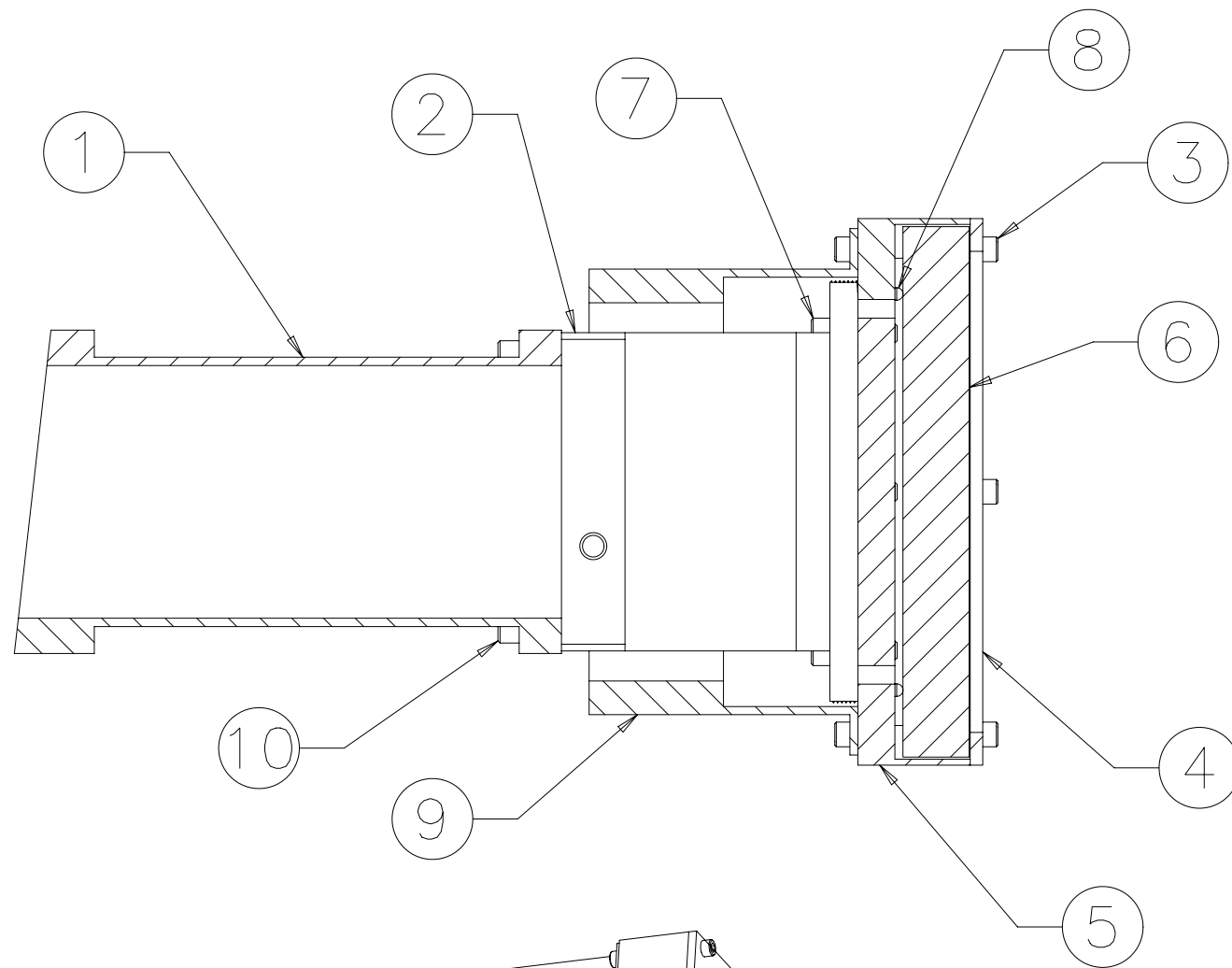


REV.	DESCRIPTION	APPROV.	DATE



10		SCREW H.S. HEAD M4X20	4	S. S. 303	0.01
9	119018	TIP TILT COUNTER WEIGHT	1	ALUMINUM 6061-T6	1.16
8		STUBBY PLUNGER DELRIN NOSE	3	REID LNK-2SN	0.00
7		SCREW H.S. HEAD #6-32X1/2	6	S. S. 303	0.00
6	030022	MIRROR-1ST FOLD	1	QUARTZ	0.58
5	052020	MIRROR HOLDER-1ST FOLD	1	ALUMINUM 6061-T6	0.60
4	051026	MIRROR COVER-1ST FOLD	1	ALUMINUM 6061-T6	0.07
3		SCREW H.S. HEAD #4-40X3/8	10	MS16995-10	0.00
2		TIP TILT	1	PI	0.00
1	050020	TIP TILT ASSEMBLY MOUNT	1	ALUMINUM 6061-T6	0.35
ITEM	PART NO	DESCRIPTION	QTY	MATERIAL	WEIGHT(LB)

NIRES-D85

Infrared Physics
 CALIFORNIA INSTITUTE OF TECHNOLOGY
 Pasadena, California

UNLESS OTHERWISE SPECIFIED
 DIMENSIONS ARE IN INCHES
 .005/.010 EDGE BROKEN
 THREADS PER MIL-S-7742
 MACHINED SURFACE 63 MAX
 MACHINED INSIDE CORNER
 R.005 MAX
 TOLERANCE
 .XX: ±.01 X/XX: ±1/64
 .XXX: ±.005 ANG:±.5

SIGNATURE		DATE
DWN BY	SEAN LIN	3 2 06
CHK BY		
APPR BY		

TITLE	TIP TILT ASSEMBLY	
DRAWING NUMBER	005008	REV. N/C
DWG SIZE B	SCALE 1/1	SHEET 1 OF 1

NEXT ASSEMBLY

NOTE :