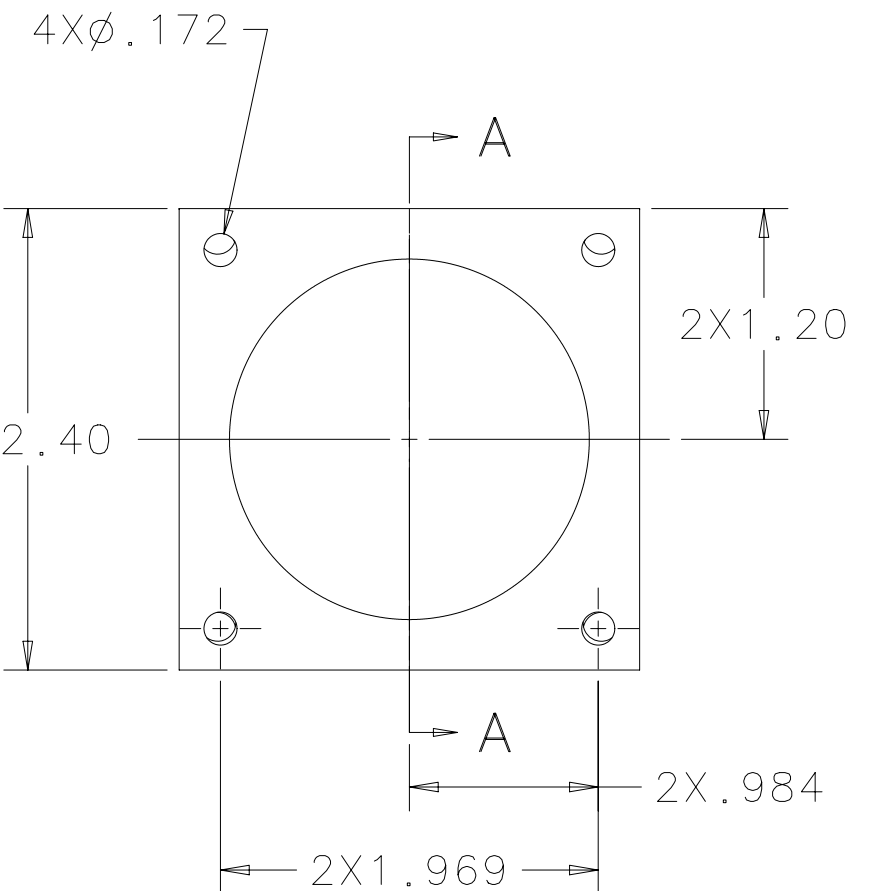
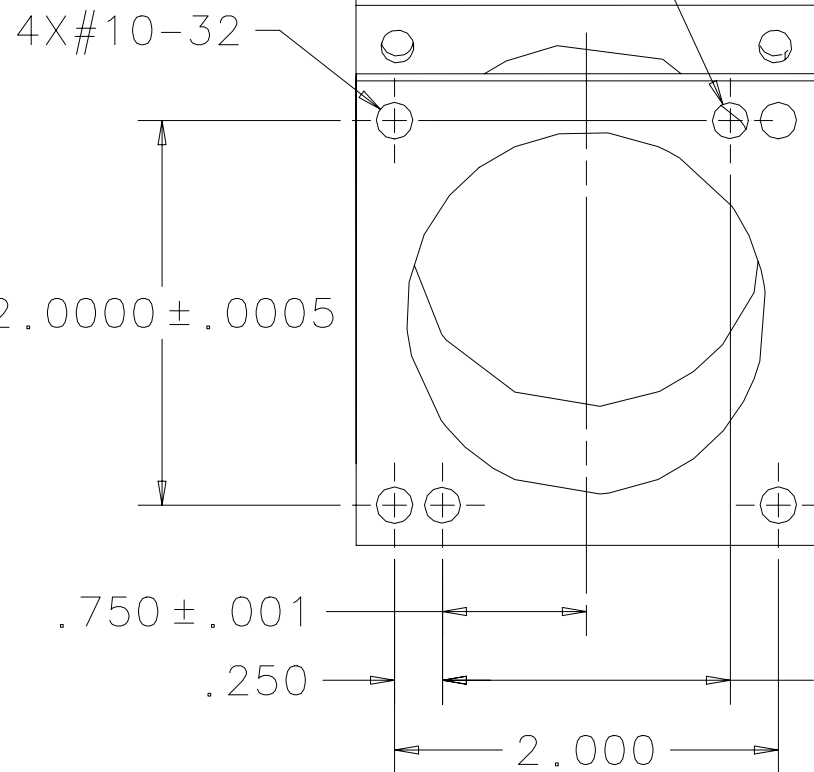


SECTION A - A

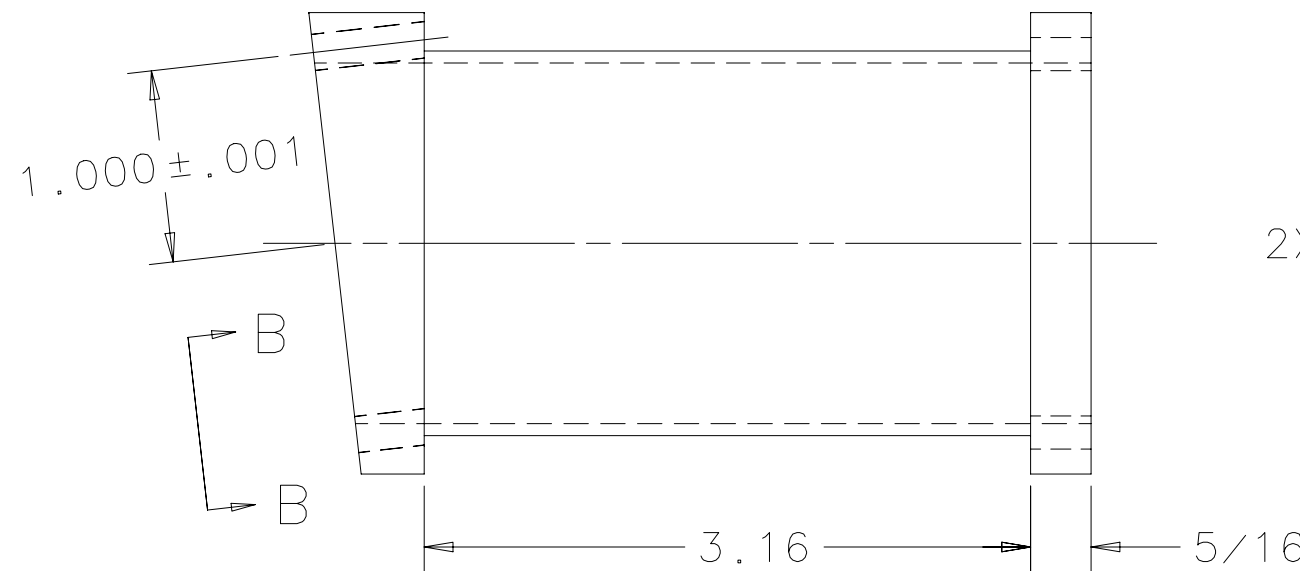
REV.	DESCRIPTION	APPROV.	DATE



2X∅.1873^{+.0002}/_{-.0001}



VIEW B - B



NIRES

Infrared Physics
CALIFORNIA INSTITUTE OF TECHNOLOGY
Pasadena, California

UNLESS OTHERWISE SPECIFIED
DIMENSIONS ARE IN INCHES
.005/.010 EDGE BROKEN
THREADS PER MIL-S-7742
MACHINED SURFACE 63 MAX
MACHINED INSIDE CORNER
R.005 MAX
TOLERANCE
.XX: ±.01 X/X: ±1/64
.XXX: ±.005 ANG:±.5

SIGNATURE

DATE

TITLE

TIP TILT
ASSEMBLY MOUNT

DWN BY

SEAN
LIN

3 14
06

DRAWING
NUMBER

050020

REV.
N/C

CHK BY

APPR BY

DWG SIZE **B**

SCALE 3/2

SHEET 1 OF 1

1. MATERIAL: ALUMINUM ALLOY 6061-T651.

NOTE:

NEXT ASSEMBLY 005008