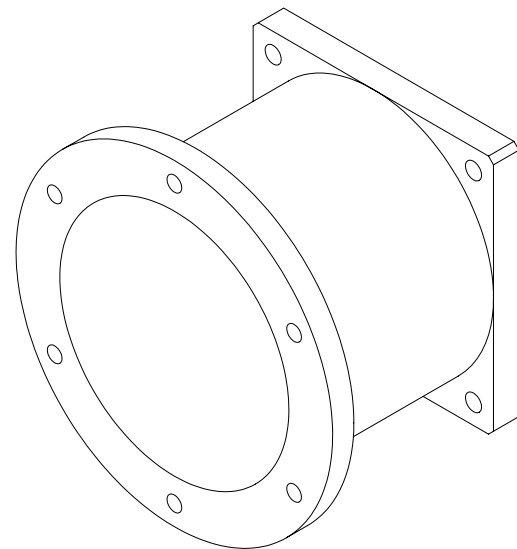
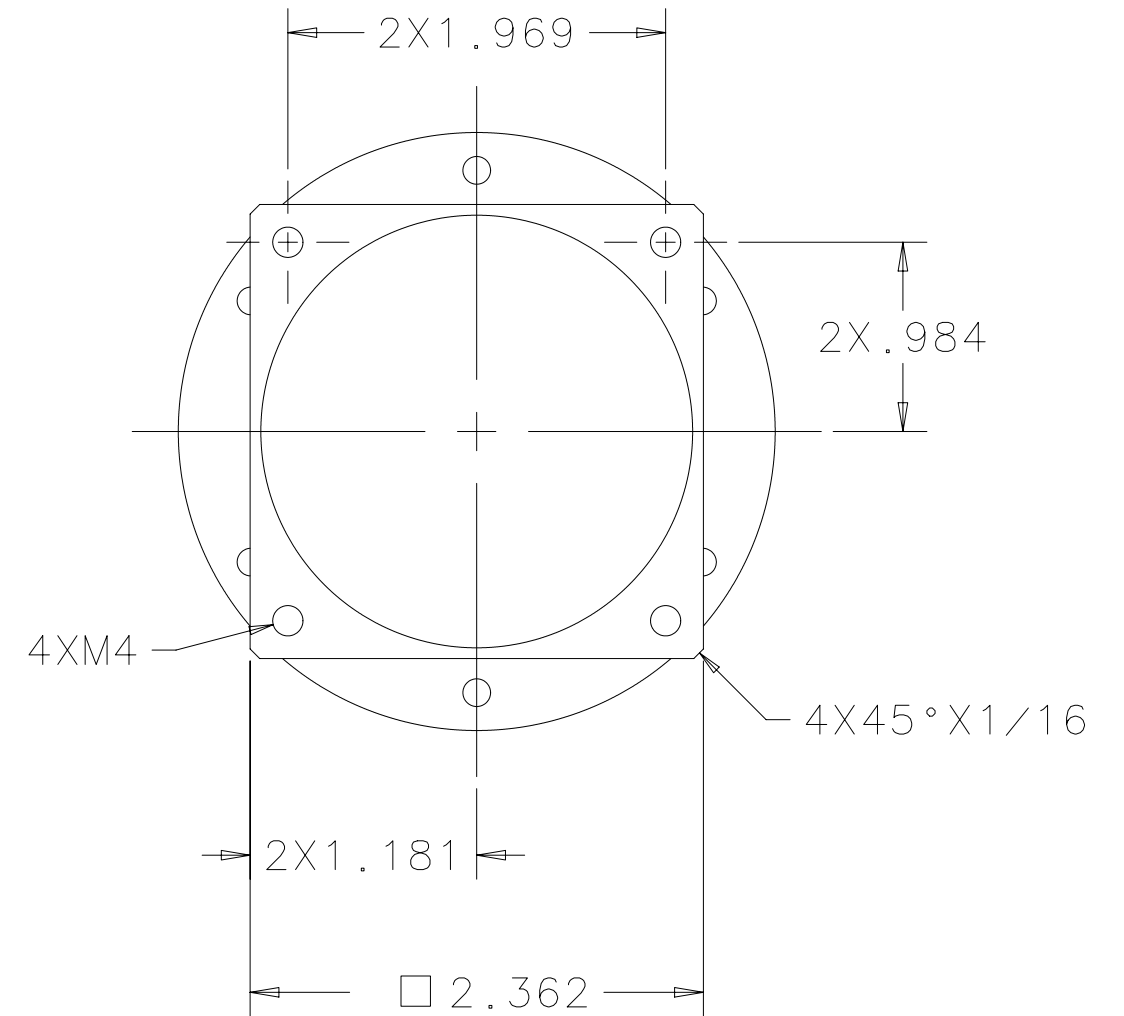
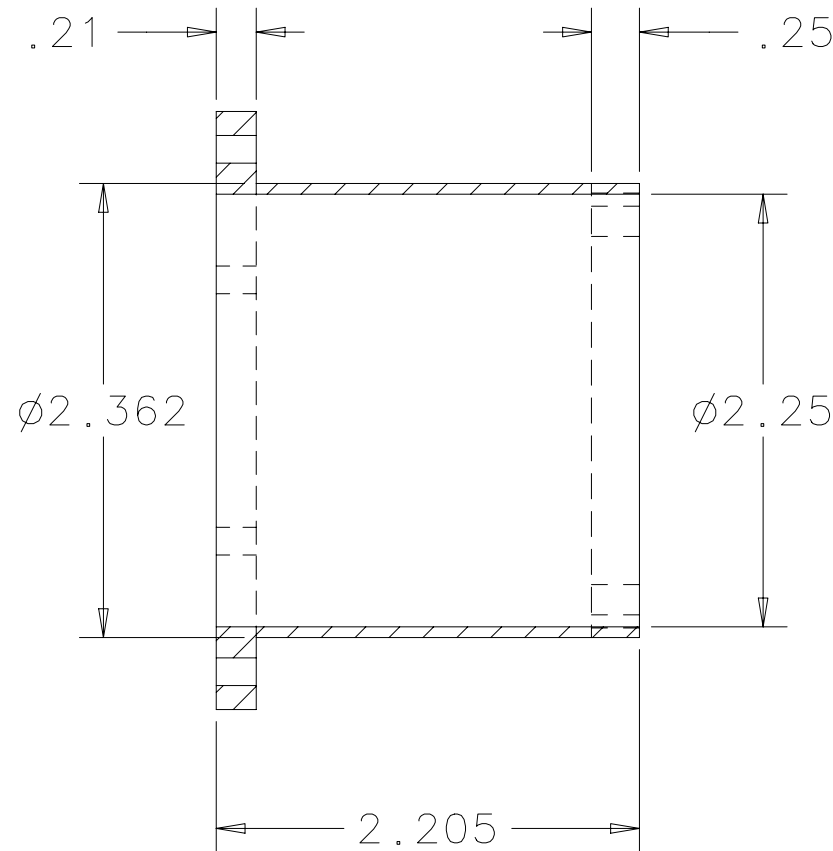
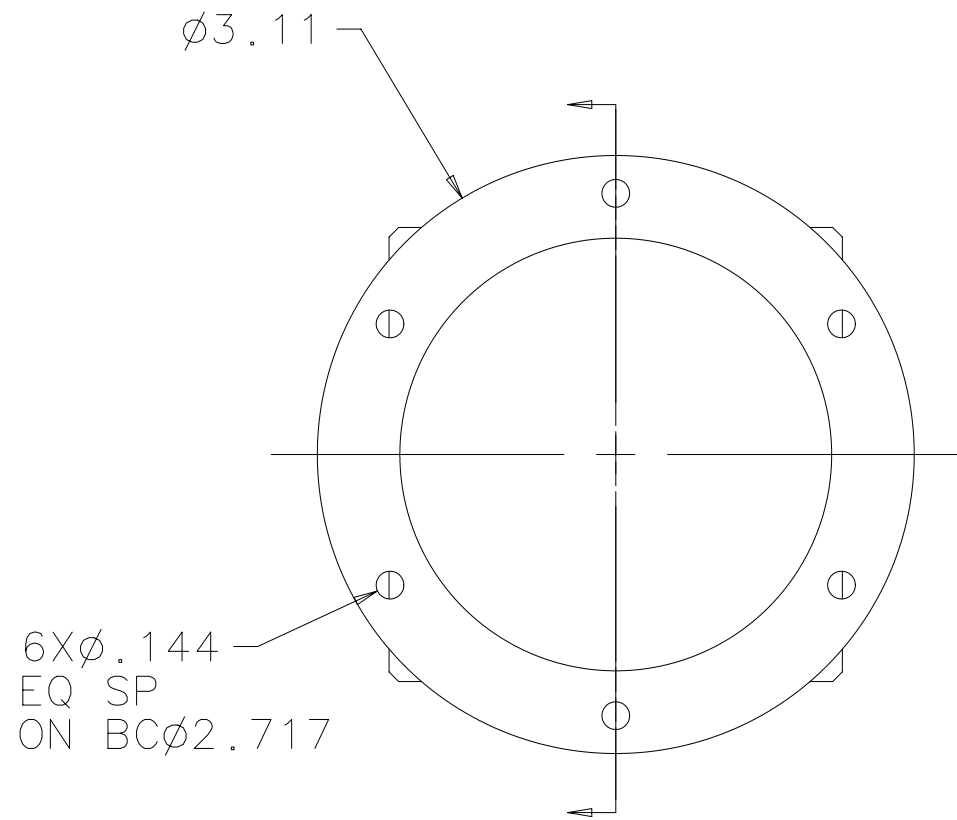


REV.	DESCRIPTION	APPROV.	DATE



1. MATERIAL: ALUMINUM ALLOY 6061-T651.

NOTE:

NEXT ASSEMBLY 005008-1

NIRES-D85

Infrared Physics
 CALIFORNIA INSTITUTE OF TECHNOLOGY
 Pasadena, California

<small>UNLESS OTHERWISE SPECIFIED DIMENSIONS ARE IN INCHES .005/.010 EDGE BROKEN THREADS PER MIL-S-7742 MACHINED SURFACE 63 MAX MACHINED INSIDE CORNER R.005 MAX TOLERANCE .XX: $\pm .01$ X/X: $\pm 1/64$.XXX: $\pm .005$ ANG: $\pm .5$</small>	SIGNATURE		DATE	TITLE	TIP TILT DUMMY	
	DWN BY	SEAN LIN	12 16 05	DRAWING NUMBER	050022	REV. N/C
	CHK BY			DWG SIZE B	SCALE 1/1	SHEET 1 OF 1
	APPR BY					