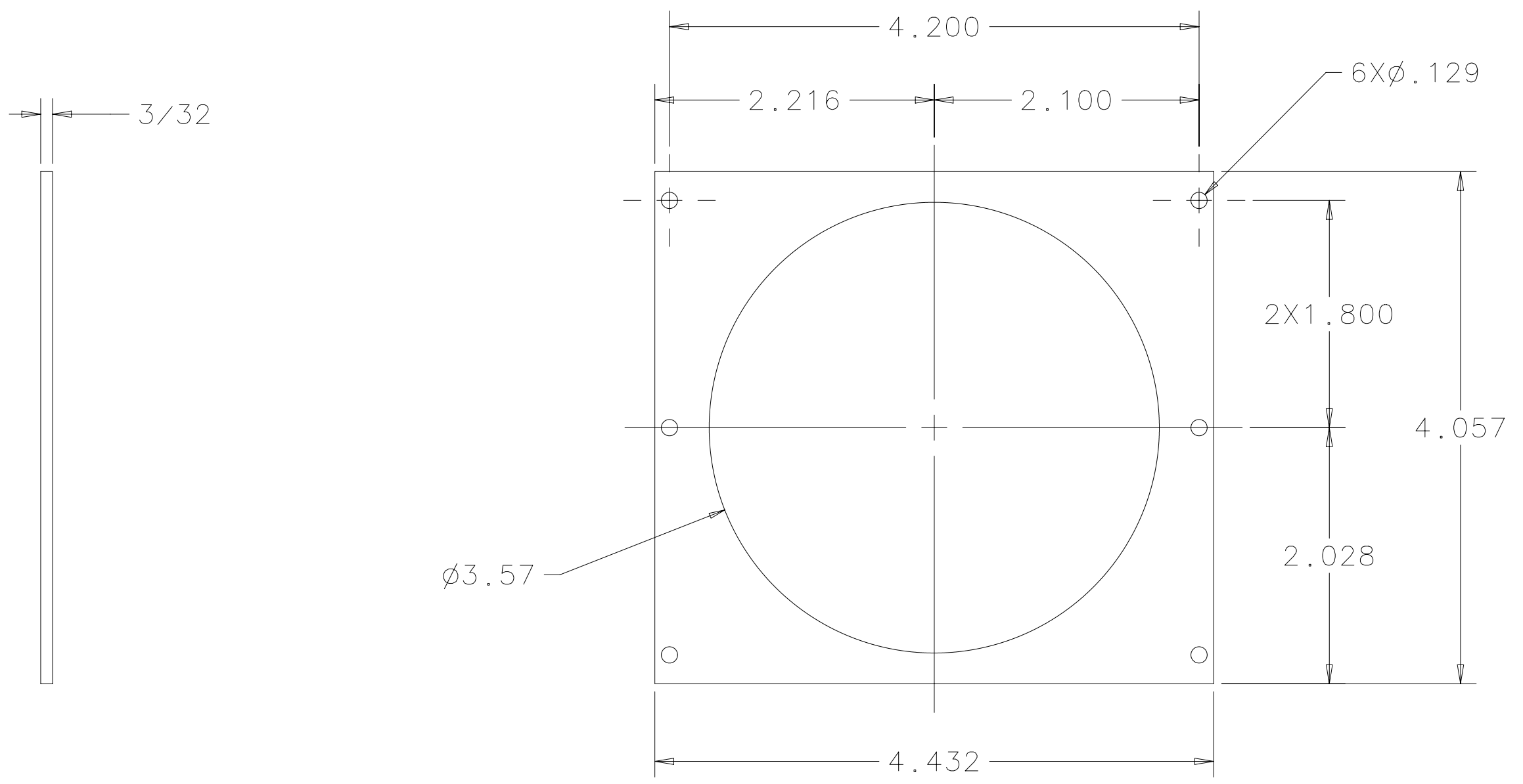


REV.	DESCRIPTION	APPROV.	DATE



1. MATERIAL: ALUMINUM ALLOY 6061-T651.

NOTE:

NEXT ASSEMBLY 005008

NIRES-D85		Infrared Physics CALIFORNIA INSTITUTE OF TECHNOLOGY Pasadena, California			
		SIGNATURE		DATE	TITLE
UNLESS OTHERWISE SPECIFIED DIMENSIONS ARE IN INCHES .005/.010 EDGE BROKEN THREADS PER MIL-S-7742 MACHINED SURFACE 63 MAX MACHINED INSIDE CORNER R.005 MAX TOLERANCE .XX: ±.01 X/XX: ±1/64 .XXX: ±.005 ANG: ±.5		DWN BY	SEAN LIN	11 4 05	1ST FOLD MIRROR COVER
		CHK BY			
		APPR BY		DRAWING NUMBER	051026
				DWG SIZE B	SCALE 1/1 SHEET 1 OF 1

REV.
N/C