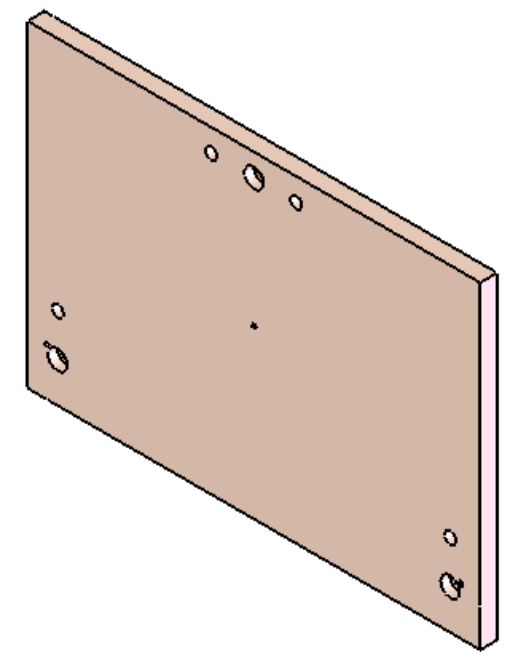
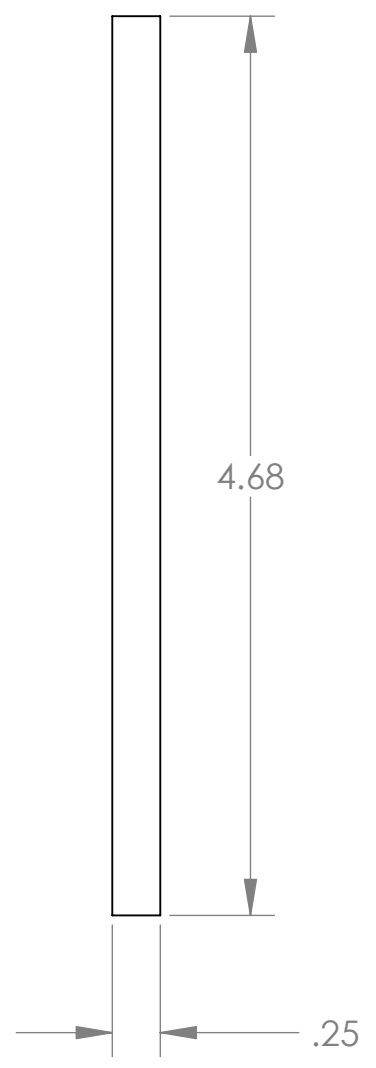
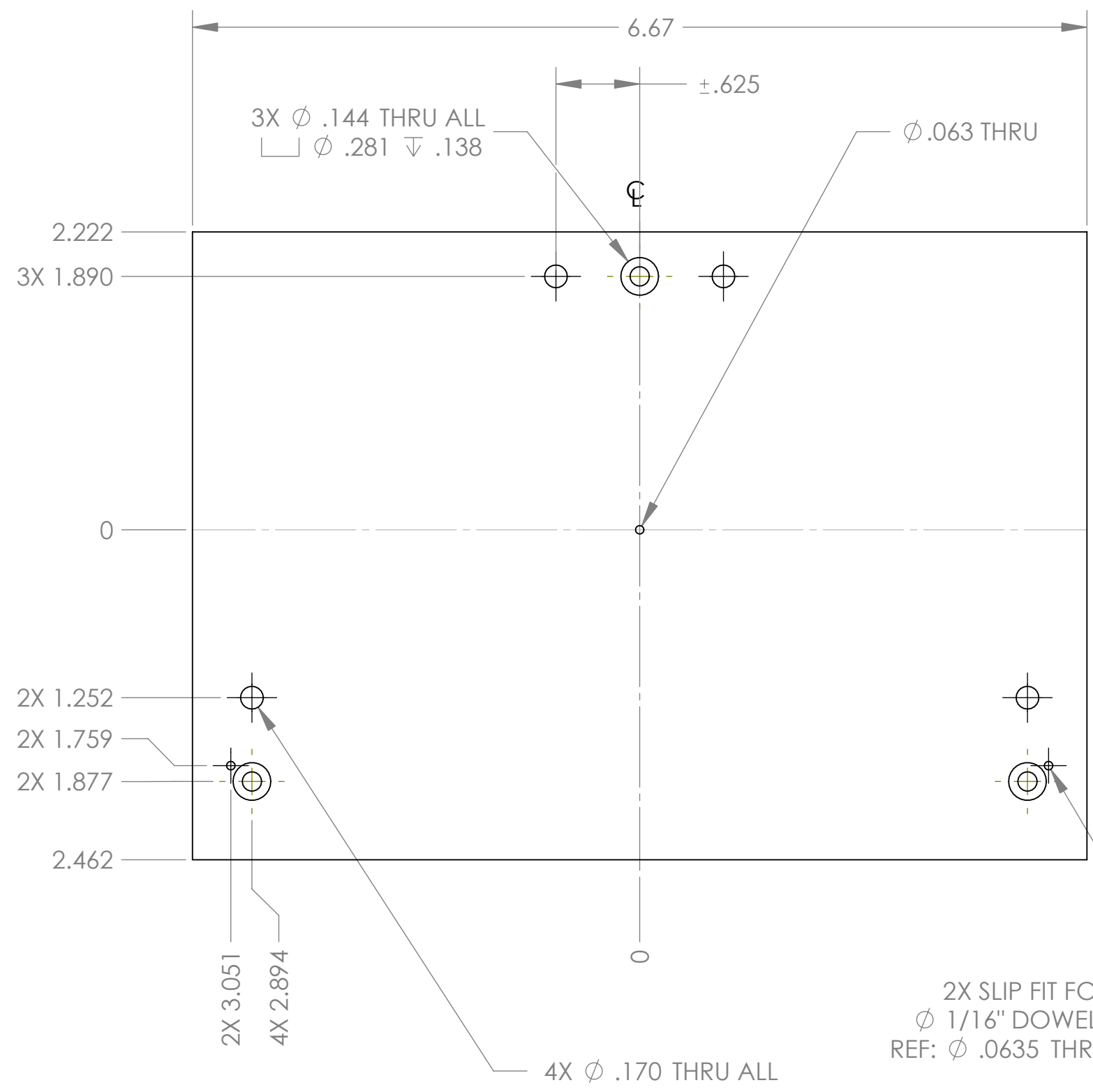


REVISIONS				
REV.	ZONE	DESCRIPTION	DATE	APPROVED
0		Initial release.	11/10/2006	CH
1		Changed 3X ϕ .170 to 4X with new positions. Added end values (2.222 & 2.462) to vertical ordinate	12/12/2006	CH
	D4	Dim change: 6.70 to 6.67		
	C6	Dim change: 1.906 to 1.890		
	C2	Dim change: 4.70 to 4.68		
B6	Dim changes: 1.744 to 1.759, and 1.862 to 1.877			



UNLESS OTHERWISE SPECIFIED DIMENSIONS ARE IN INCHES, REMOVE BURS AND BREAK SHARP EDGES 0.005-0.010

TOLERANCES: .XX±.010 .XXX±.005
 ANGLES ±0.5° UNLESS NOTED,
 ALL SURFACES 64 UNLESS NOTED

MATERIAL: **6061-T6 ALUM**
QTY: 2

TRIPLESPEC
 Cornell University
 Center for Radiophysics and Space Research - Ithaca, NY 14853

NAME:	INIT.	DATE:	TITLE:
DRAWN: SCP	SCP	12/12/06	OAP1 BASE
CHECKED: CH	CH	12/12/06	SIZE: B
APPROVED:			DRAWING # TRDOP45
FABRICATED:			REV 1

FILE: TRDOP45 OAP1 BASE

SCALE: 1:1 DATE: 1/2/2007 SHEET 1 OF 1