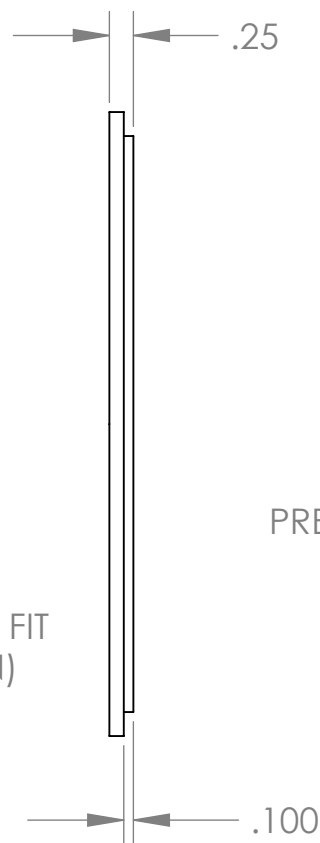
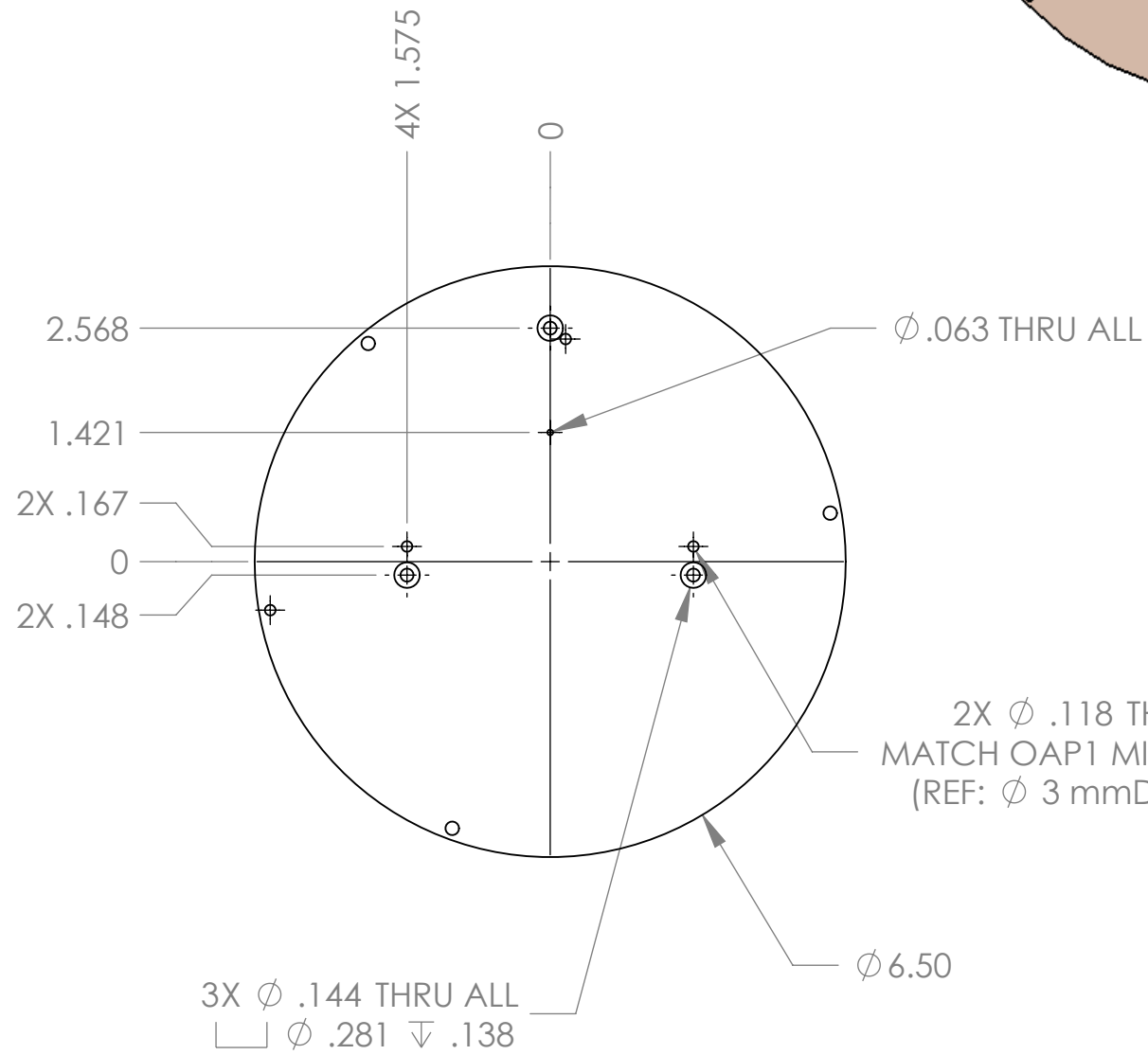
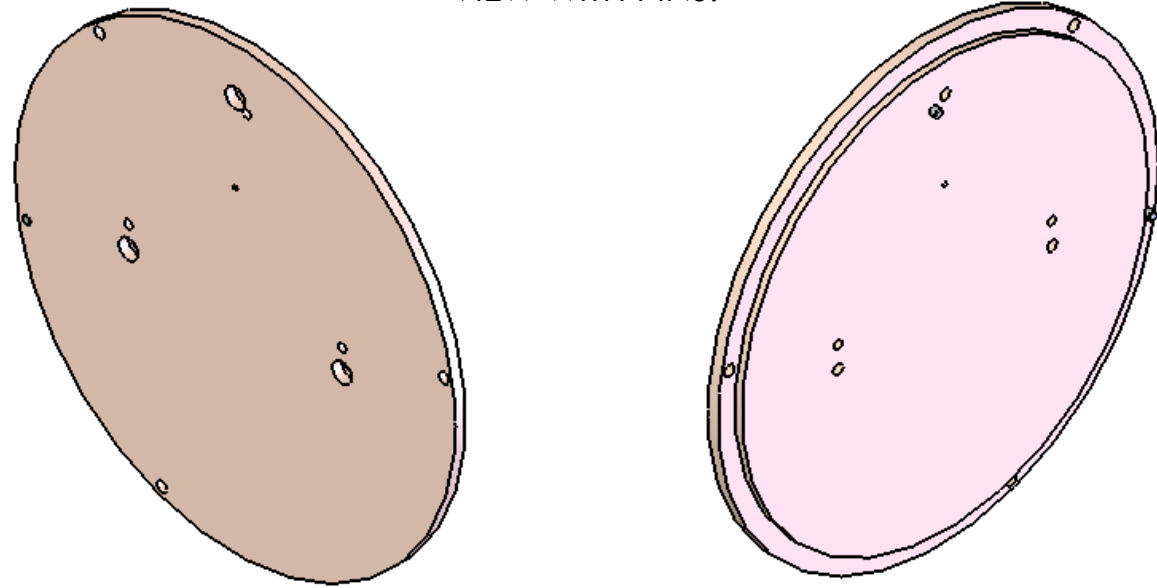
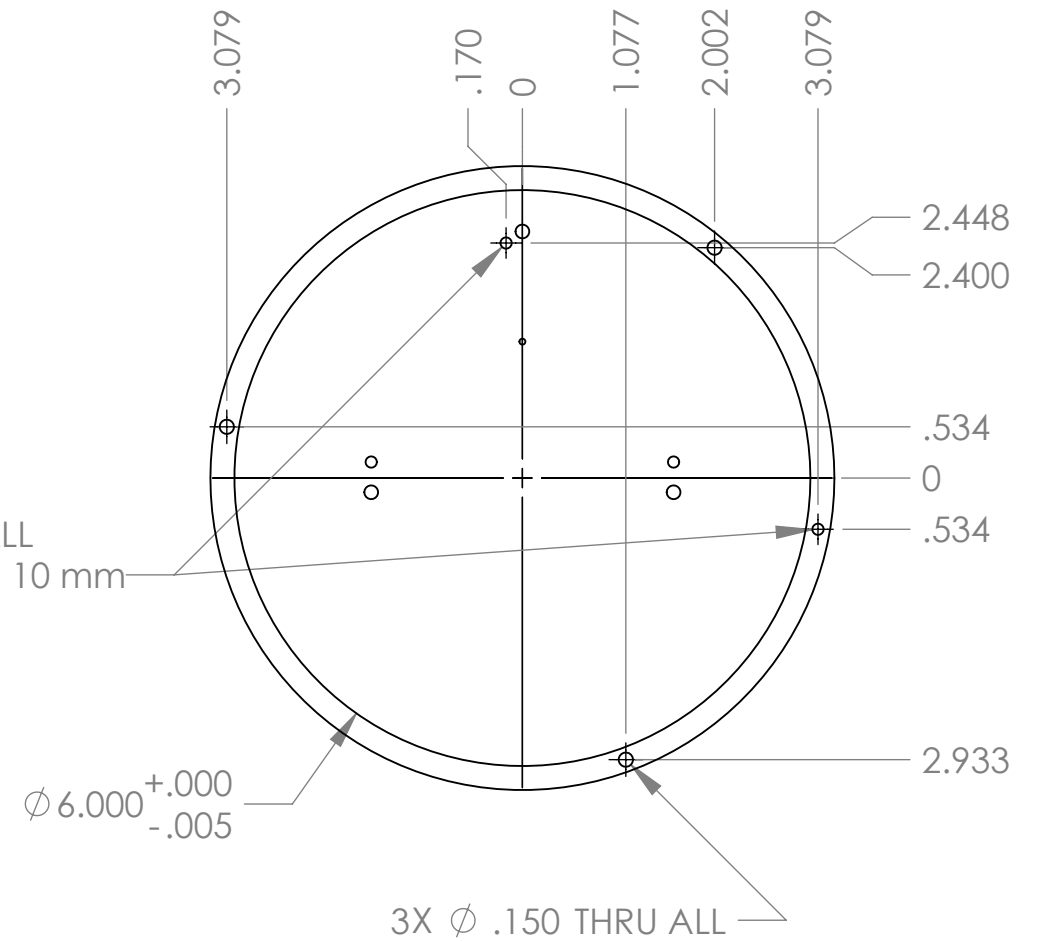


VIEW WITH PINS.



$\phi .118$ THRU ALL
PRESS FIT $\phi 3$ mm X 10 mm
DOWEL PIN



UNLESS OTHERWISE SPECIFIED DIMENSIONS
ARE IN INCHES, REMOVE BURRS AND
BREAK SHARP EDGES 0.005-0.010

TOLERANCES: .XX \pm .010 .XXX \pm .005
ANGLES \pm 0.5 $^\circ$ UNLESS NOTED,
ALL SURFACES 64 UNLESS NOTED

MATERIAL: 6061-T6 ALUM
QTY: 1

NAME:	INIT.	DATE:
DRAWN: SCP	SCP	02/19/07
CHECKED: JCW	JCW	03/09/07
APPROVED:		
FABRICATED:		
FILE: TRDOP45A OAP1 Base, APO		

TRIPLESPEC

Cornell University
Center for Radiophysics and Space Research - Ithaca, NY 14853

TITLE: OAP1 BASE, APO

SIZE: B DRAWING # TRDOP45A REV 0

SCALE: 1:2 DATE: 3/9/2007 SHEET 1 OF 1