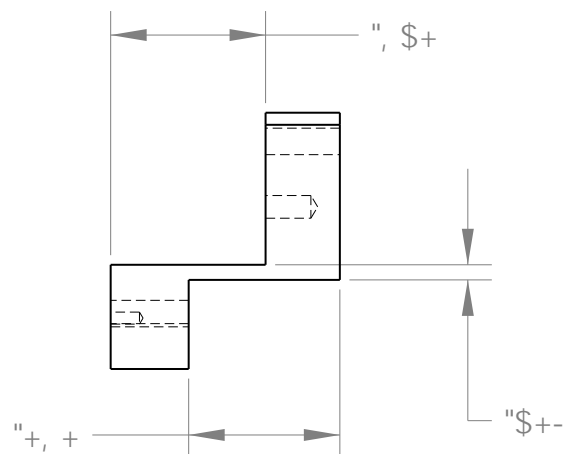
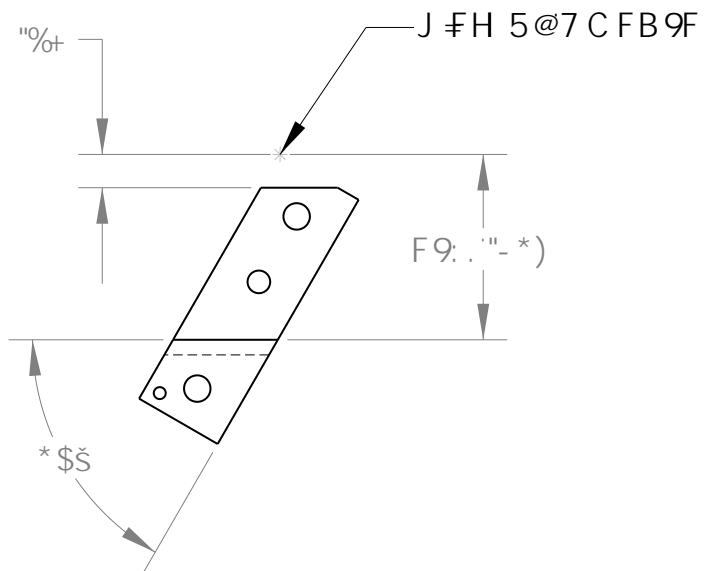
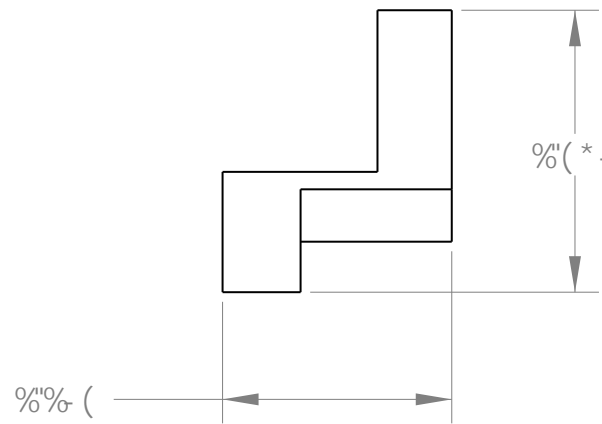
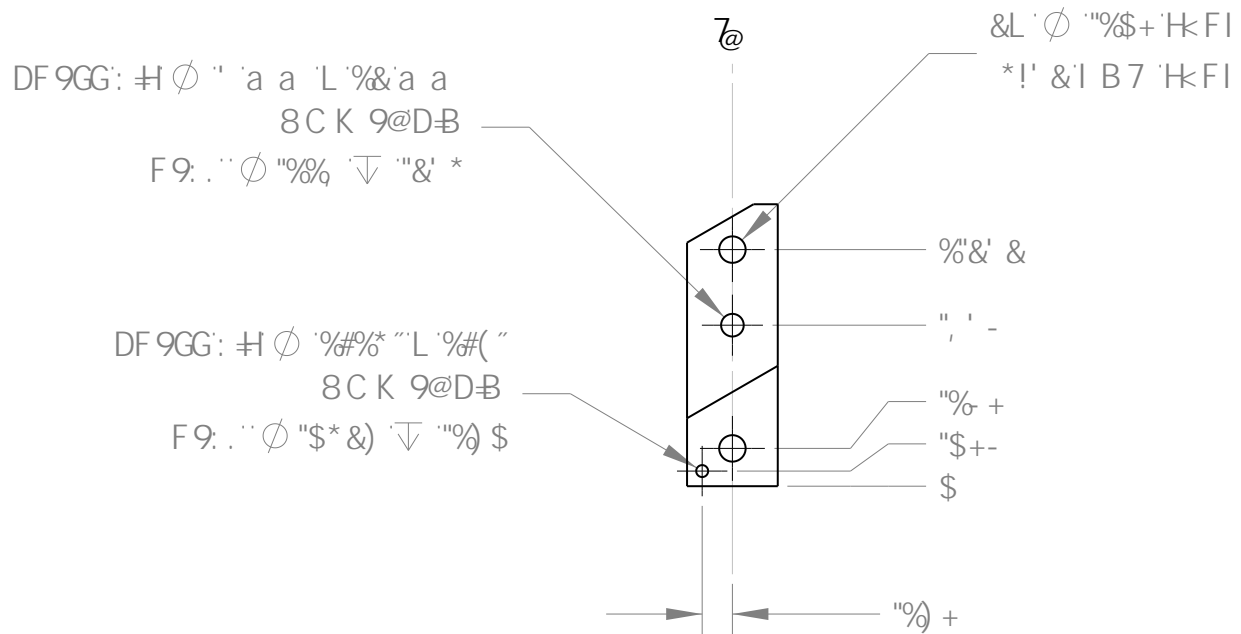
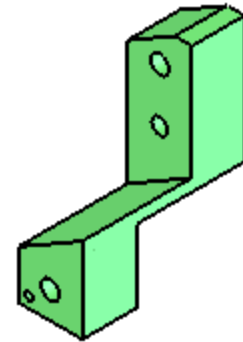
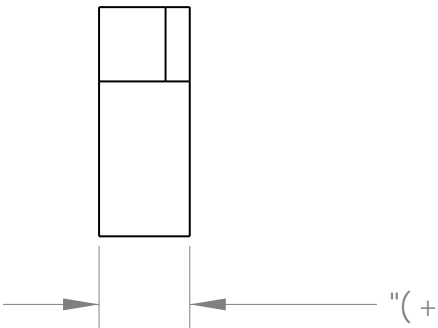
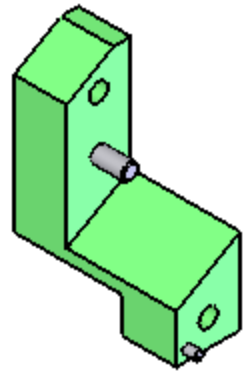


		F9J -G€ BG	
F9J "	NC B9	89G7 F-DHC B	85H9
\$		b]U`Y'YUgy"	%&#%#&\$\$*
%	6(8ja 'W.Ub[Y.'", \$\$'tc", \$+	%&#%#&\$\$*



I B@9GCH:9FK -G9GD97 + 98 8 A 9BGC BG 5F9-B -B7 <9G2F9A CJ 96I FG5B8 6F95? G<5FD98: 9G\$"\$) I\$"\$%		HF -D@9GD97		Eqtpgm'Wpkgtukv Egpgt'hqt'Tcflqrj { uku'cpf 'Urceg'Tgugctej ' /'Kj cec.'P['36: 75	
HC @F5B7 9G "LL±"\$%\$ "LLL±"\$%) 5B: @9G±\$) *1 B@9GBC H982 5@@QI F: 57 9G*("I B@9GBC H98	B5A 9.	B#H	85H9.	H#H9.	C 5D%@9; 'DC FH
A 5H9F-5@ *\$*%H* '5@ A E HM'&	8F5K B. G7 D	G7 D	%&#%#&\$\$*	GAN9.	6 HF8CD, -
	7 < 97? 98. 7 <	7 <	%&#%#&\$\$*	F9J	%
	5DDFC J 98. : 56F 7 5H98.			G7 5 @. %%	85H9. %&#%#&\$\$*
	: @9. HF8CD, - \$5D%@9. 'DC FH			G< 99H% C: %	