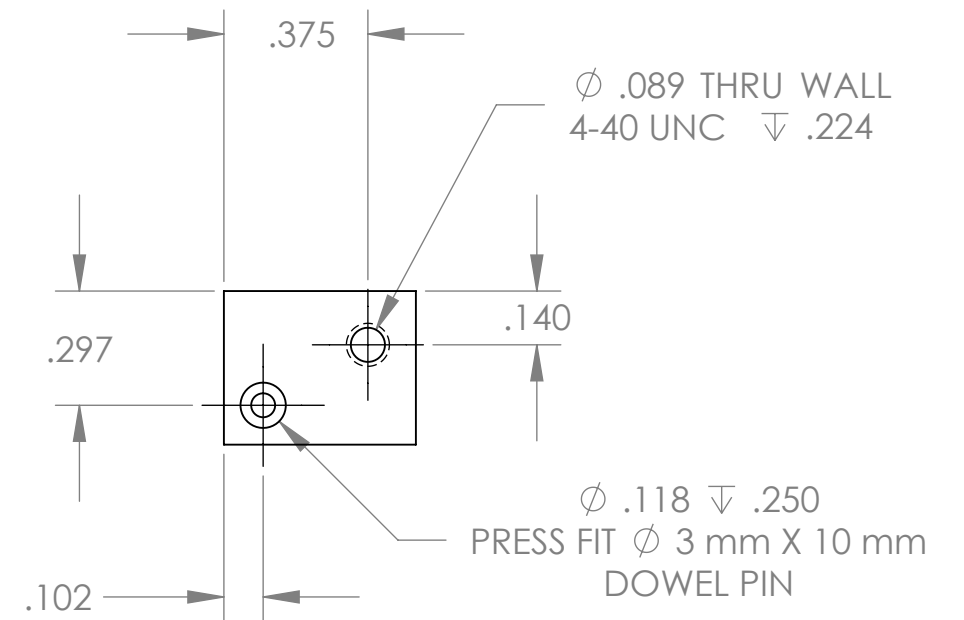
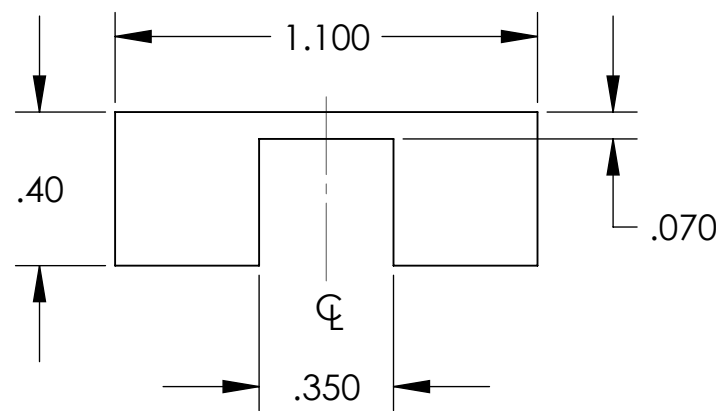
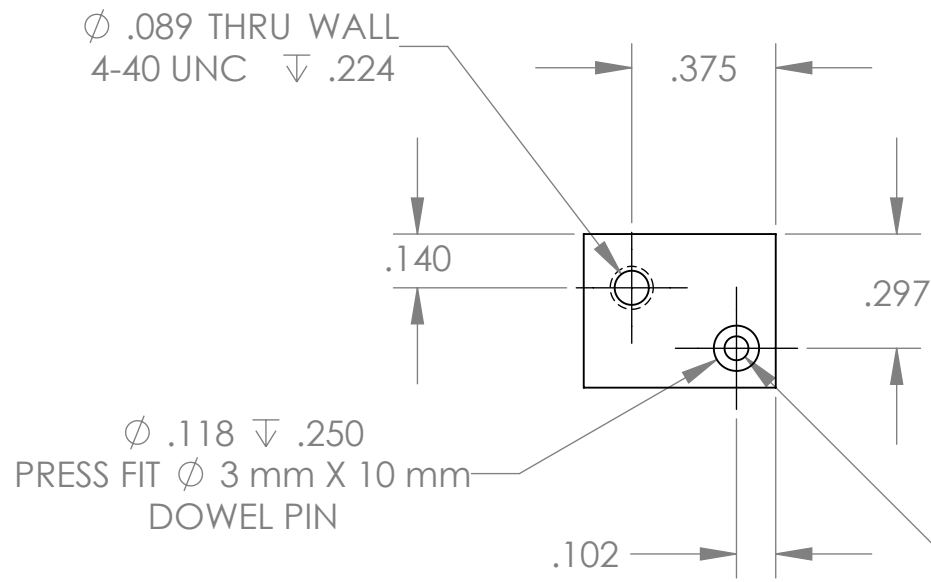
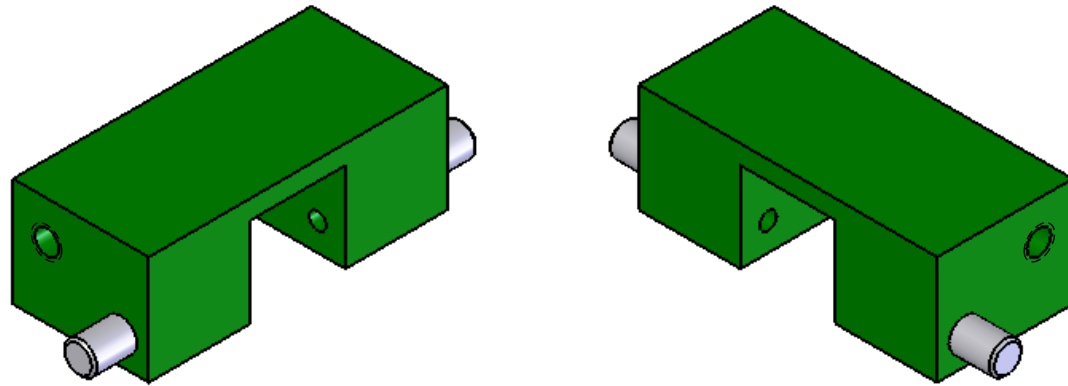


VIEW WITH PINS.



ϕ .063 THRU ALL

UNLESS OTHERWISE SPECIFIED DIMENSIONS
ARE IN INCHES, REMOVE BURRS AND
BREAK SHARP EDGES 0.005-0.010

TOLERANCES: .XX \pm .010 .XXX \pm .005
ANGLES \pm 0.5 $^\circ$ UNLESS NOTED,
ALL SURFACES 64 UNLESS NOTED

MATERIAL: 6061-T6 ALUM
QTY: 2



TRIPLESPEC

Cornell University
Center for Radiophysics and Space Research - Ithaca, NY 14853

NAME:	INIT.	DATE:
DRAWN: SCP	SCP	02/19/07
CHECKED: JCW	JCW	03/09/07
APPROVED:		
FABRICATED:		

TITLE:	OAP1 SIDE LEG, APO	
SIZE:	B	DRAWING # TRDOP89A
SCALE:	2:1	DATE: 3/9/2007
		SHEET 1 OF 1

REV 0

FILE: TRDOP89A OAP1 Side Leg, APO