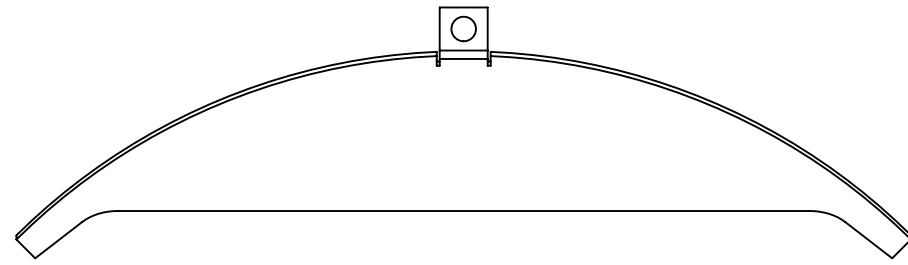
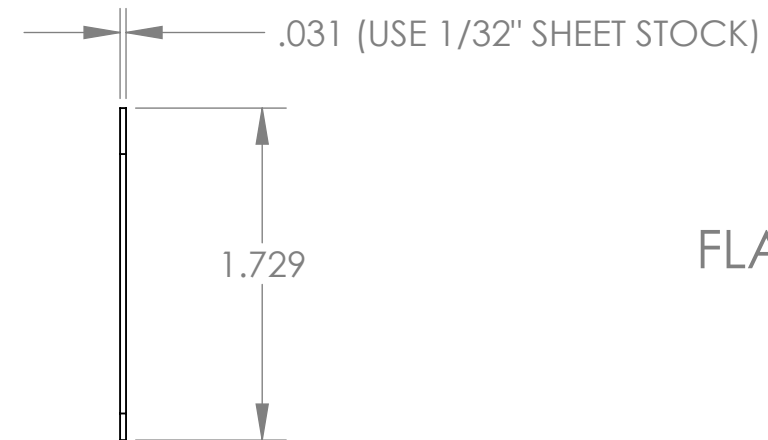
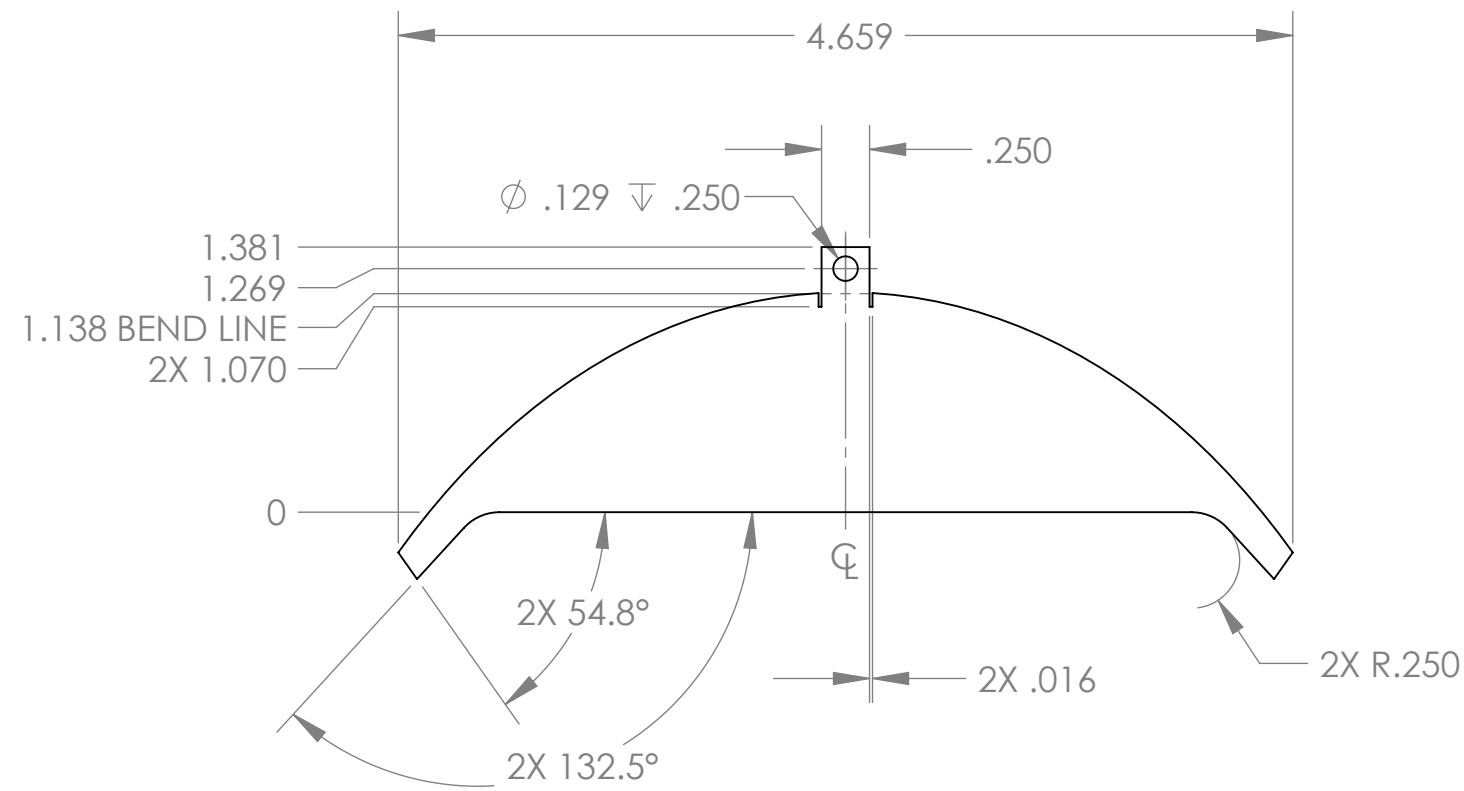
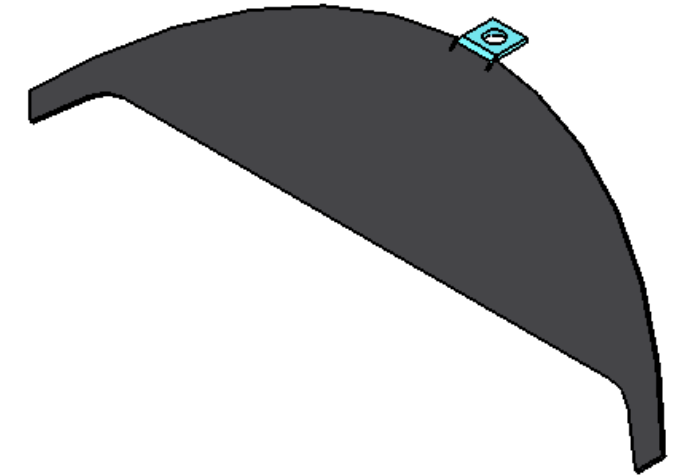
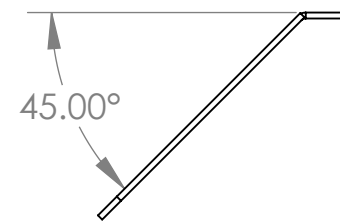
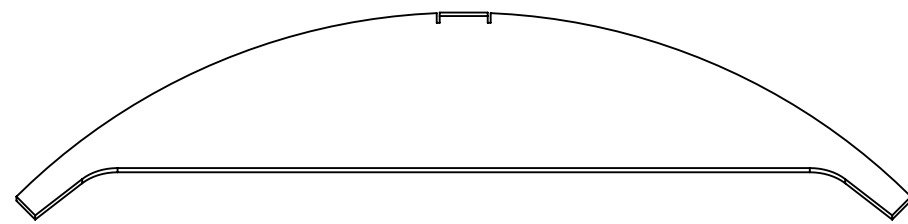


REVISIONS				
ZONE	REV.	DESCRIPTION	DATE	APPROVED
	0	INITIAL RELEASE.	06/08/07	SCP



FINAL BENT PART.



FLAT PATTERN.

UNLESS OTHERWISE SPECIFIED DIMENSIONS ARE IN INCHES, REMOVE BURS AND BREAK SHARP EDGES 0.005-0.010
 TOLERANCES: .XX ± .010 .XXX ± .005
 ANGLES ± 0.5° UNLESS NOTED, ALL SURFACES 64 UNLESS NOTED

MATERIAL: 3003 ALUM
 QTY: 8



NAME:	INIT.	DATE:
DRAWN:	SCP	05/21/07
CHECKED:	SCP	06/08/07
APPROVED:		
FABRICATED:		

TRIPLESPEC

Cornell University
 Center for Radiophysics and Space Research - Ithaca, NY 14853

TITLE: OAP1 CONE BAFFLE, PLATE

SIZE: B DRAWING # TRDOP97 REV 0

SCALE: 1:1 DATE: 6/8/2007 SHEET 1 OF 2

6

5

4

3

2

1

D

D

C

C

B

B

A

A

6

5

4

3

2

1

6

5

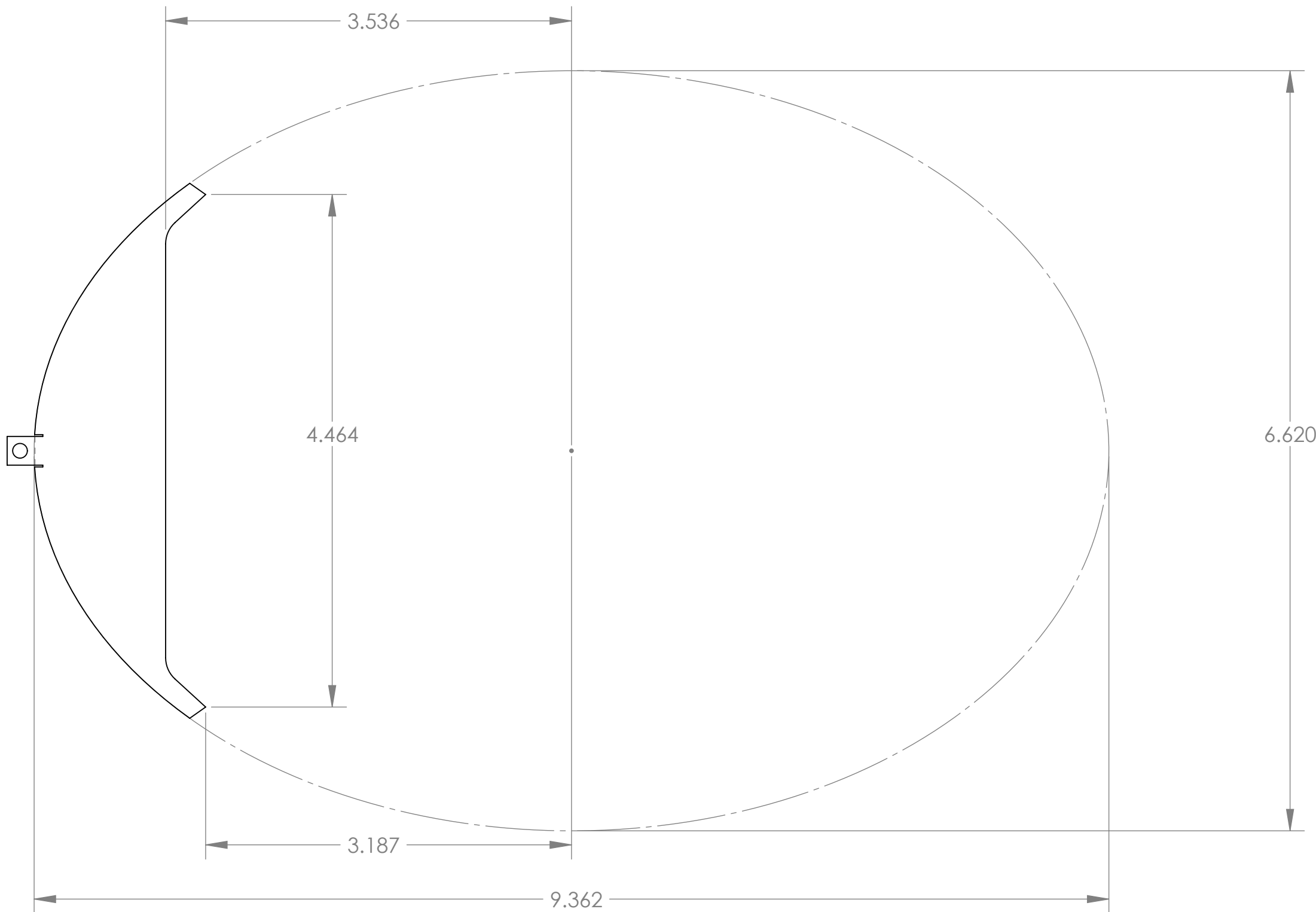
4

3

2

1

FLAT PATTERN.



D

D

C

C

B

B

A

A

UNLESS OTHERWISE SPECIFIED DIMENSIONS
 ARE IN INCHES, REMOVE BURRS AND
 BREAK SHARP EDGES 0.005-0.010

TOLERANCES: .XX±.010 .XXX±.005
 ANGLES ±0.5° UNLESS NOTED,
 ALL SURFACES 64 UNLESS NOTED

MATERIAL: 3003 ALUM
 QTY: 8



TRIPLESPEC

Cornell University
 Center for Radiophysics and Space Research - Ithaca, NY 14853

NAME:	INIT.	DATE:
DRAWN:	SCP	05/21/07
CHECKED:	SCP	06/08/07
APPROVED:		
FABRICATED:		

TITLE: OAP1 CONE BAFFLE, PLATE

SIZE: B DRAWING # TRDOP97 REV 0

FILE: TRDOP97 OAP1 Cone Baffle, Plate

SCALE: 1:1 DATE: 6/8/2007 SHEET 2 OF 2

6

5

4

3

2

1