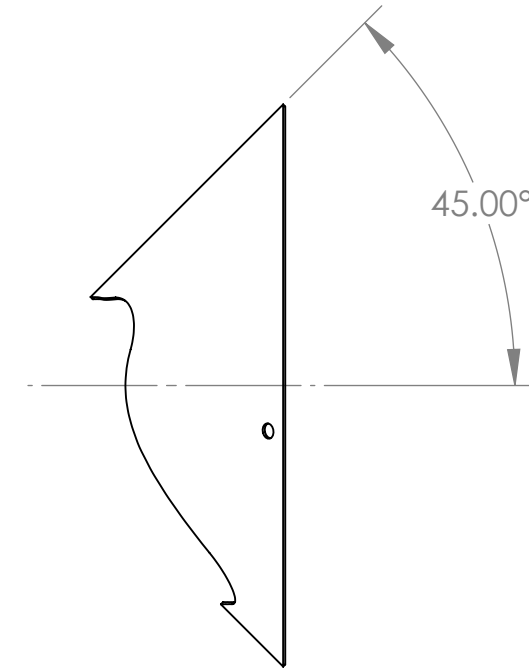
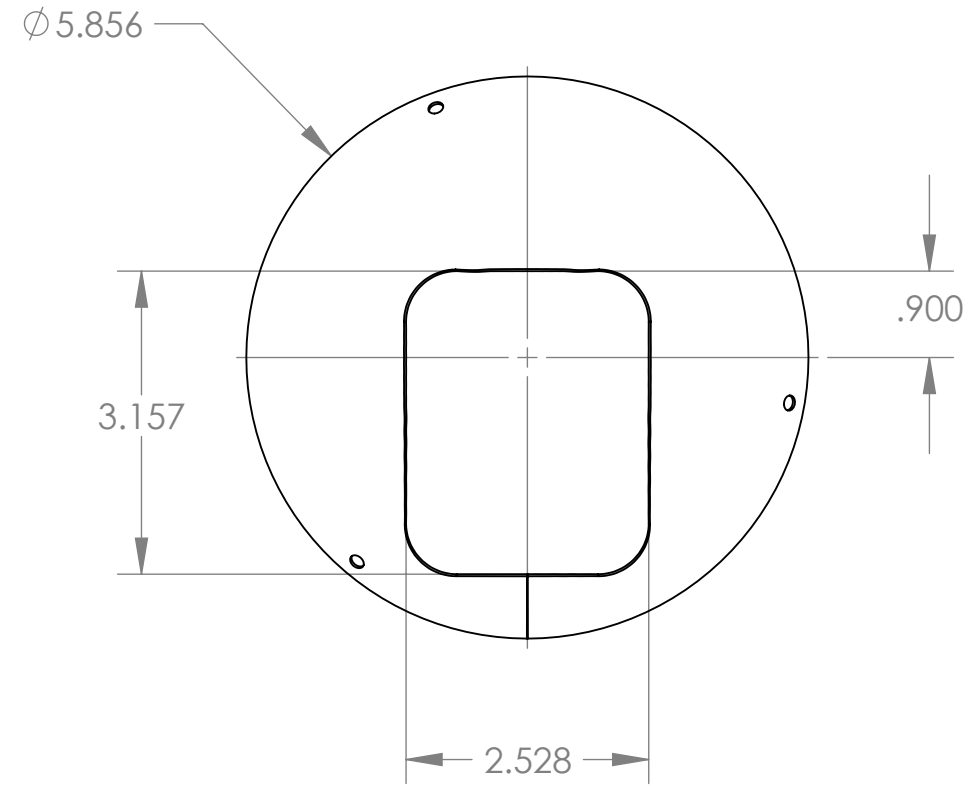
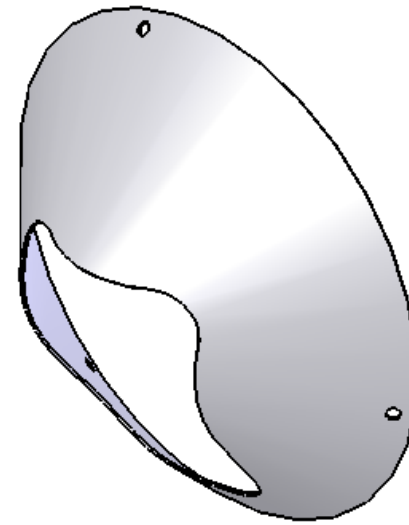


REVISIONS				
ZONE	REV.	DESCRIPTION	DATE	APPROVED
	0	INITIAL RELEASE.	06/20/07	JCW



UNLESS OTHERWISE SPECIFIED DIMENSIONS ARE IN INCHES, REMOVE BURS AND BREAK SHARP EDGES 0.005-0.010

TOLERANCES: .XX±.010 .XXX±.005
 ANGLES ±0.5° UNLESS NOTED,
 ALL SURFACES 64 UNLESS NOTED

MATERIAL: 3003 ALUM
 QTY: 1



NAME:	INIT.	DATE:
DRAWN:	SCP	06/15/07
CHECKED:	JCW	06/20/07
APPROVED:		
FABRICATED:		

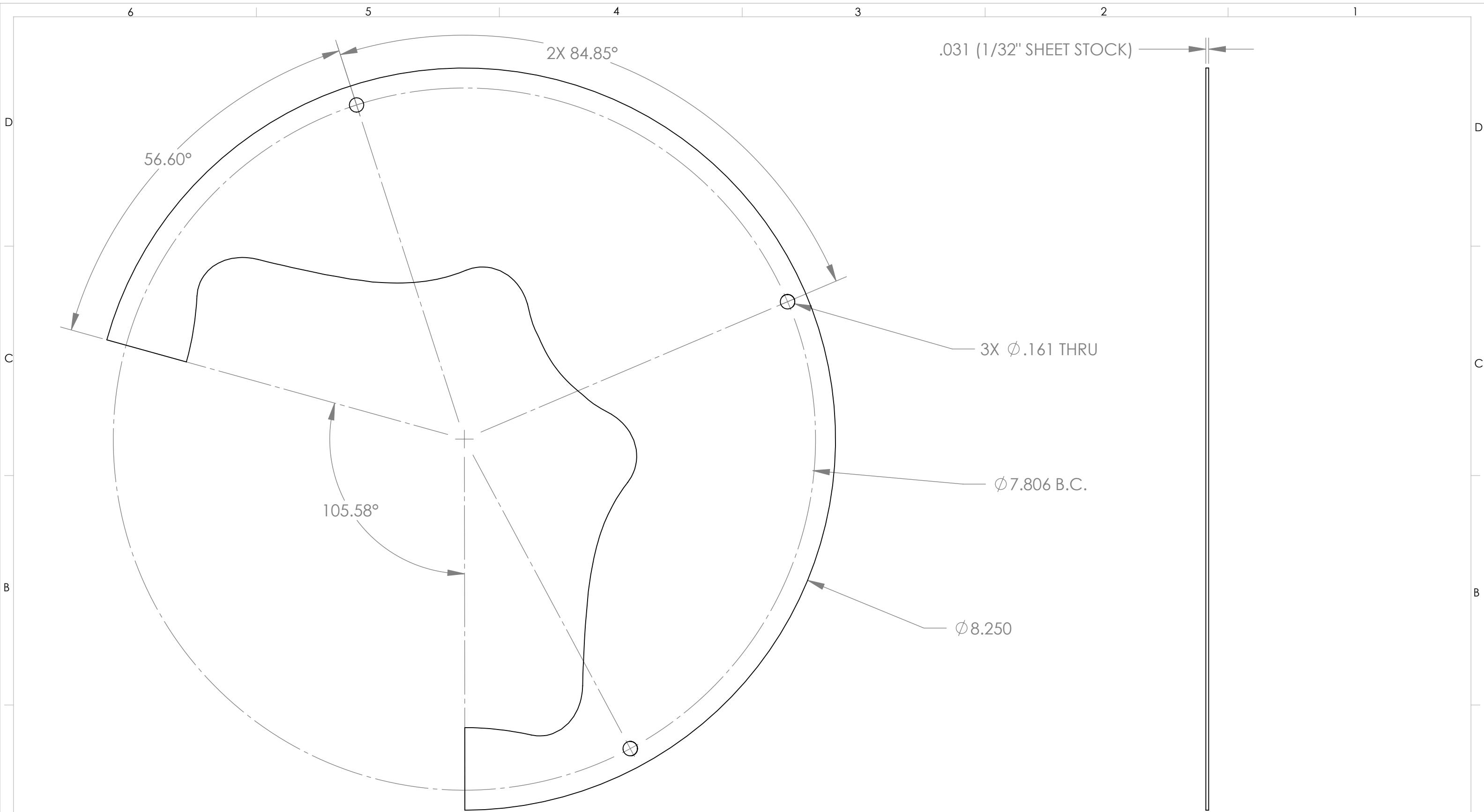
TRIPLESPEC

Cornell University
 Center for Radiophysics and Space Research - Ithaca, NY 14853

TITLE: APO OAP1 CONE BAFFLE, PLATE

SIZE: B DRAWING # TRDOP REV 0

FILE: TRDOP97A APO OAP1 Cone Baffle, Plate SCALE: 1:2 DATE: 6/25/2007 SHEET 1 OF 2



UNLESS OTHERWISE SPECIFIED DIMENSIONS ARE IN INCHES, REMOVE BURS AND BREAK SHARP EDGES 0.005-0.010

TOLERANCES: .XX±.010 .XXX±.005
 ANGLES ±0.5° UNLESS NOTED,
 ALL SURFACES 64 UNLESS NOTED

MATERIAL: 3003 ALUM
 QTY: 1

NAME:	INIT.	DATE:
DRAWN:	SCP	06/15/07
CHECKED:	JCW	06/20/07
APPROVED:		
FABRICATED:		
FILE: TRDOP97A APO OAP1 Cone Baffle, Plate		

Cornell University Center for Radiophysics and Space Research - Ithaca, NY 14853	
TRIPLESPEC	
TITLE: APO OAP1 CONE BAFFLE, PLATE	
SIZE: B	DRAWING # TRDOP
SCALE: 1:1	DATE: 6/25/2007
	REV 0
SHEET 2 OF 2	