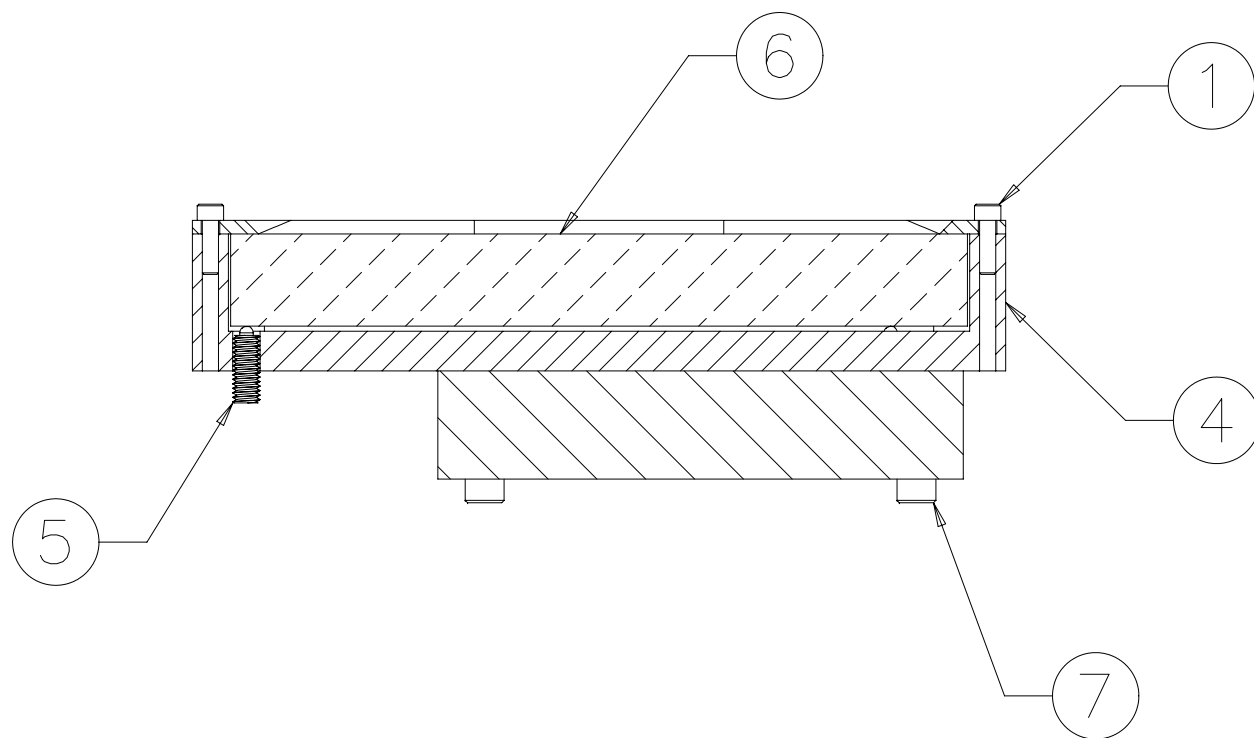
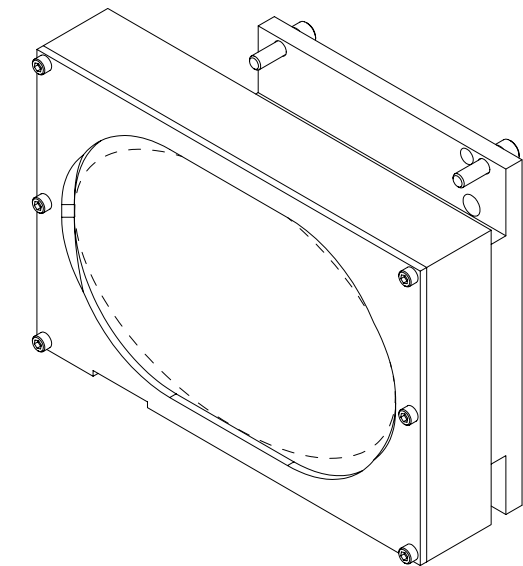
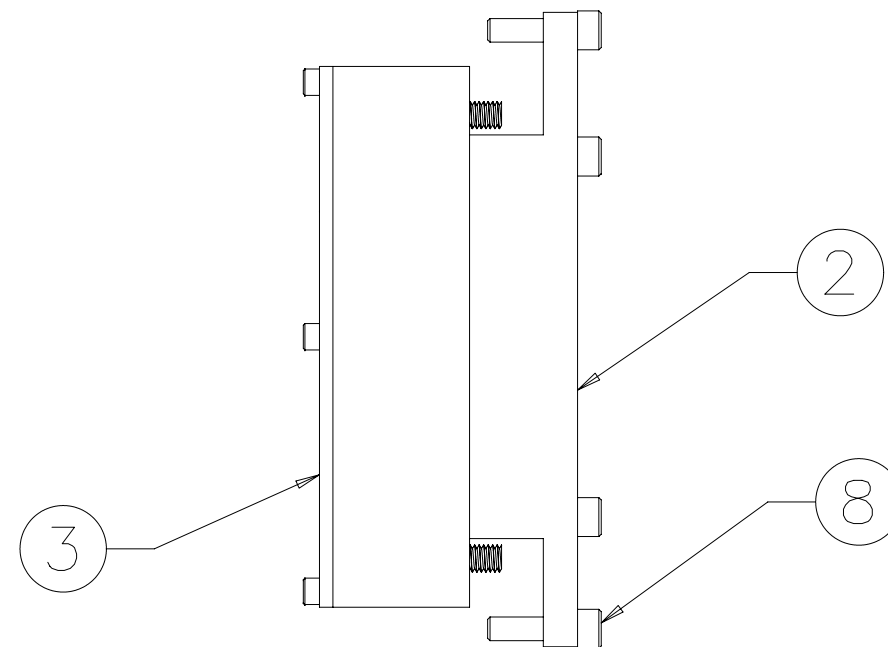
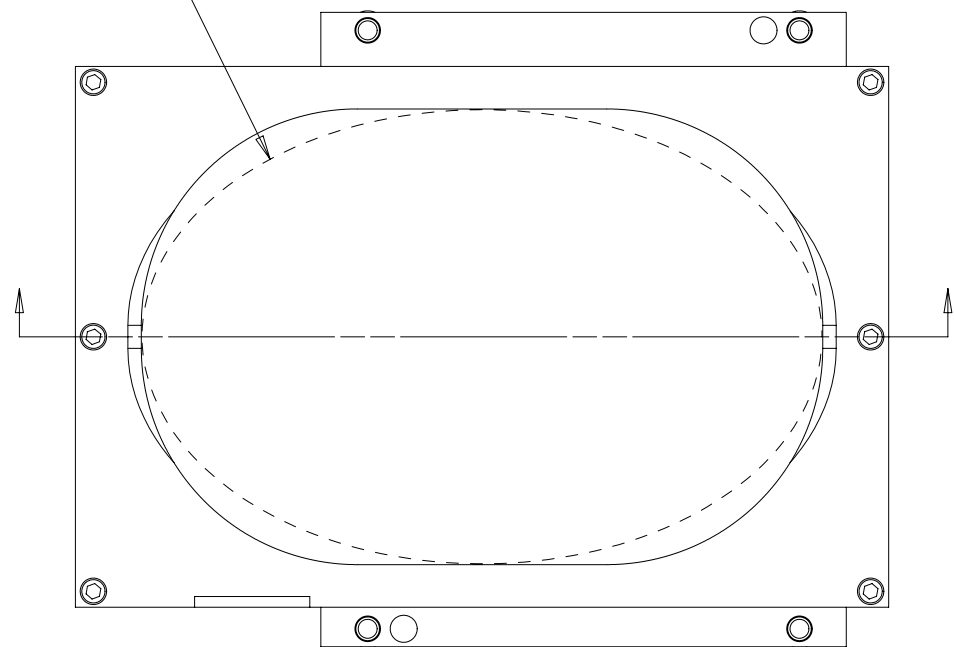


REV.	DESCRIPTION	APPROV.	DATE

CLEAR APERTURE



8		SCREW H.S. HEAD #8-32X5/8	4	S.S. 303	0.01
7		SCREW H.S. HEAD #8-32X1	4	S.S. 303	0.00
6	030023	2ND FOLD MIRROR	1	QUARTZ	0.88
5		STUBBY PLUNGER DELRIN NOSE	3	REID LNK-2SN	0.00
4	052021	2ND MIRROR HOLDER	1	ALUMINUM 6061-T6	0.74
3	051027	2ND FOLD MIRROR COVER	1	ALUMINUM 6061-T6	0.07
2	050021	2ND FOLD MIRROR MOUNT	1	ALUMINUM 6061-T6	0.87
1		SCREW H.S. HEAD #4-40X3/8	6	S.S. 303	0.00
ITEM	PART NO	DESCRIPTION	QTY	MATERIAL	WEIGHT

NIRES-D85

Infrared Physics
CALIFORNIA INSTITUTE OF TECHNOLOGY
Pasadena, California

UNLESS OTHERWISE SPECIFIED
DIMENSIONS ARE IN INCHES
.005/.010 EDGE BROKEN
THREADS PER MIL-S-7742
MACHINED SURFACE 63 MAX
MACHINED INSIDE CORNER
R.005 MAX
TOLERANCE
.XX: ±.01 X/X: ±1/64
.XXX: ±.005 ANG: ±.5

SIGNATURE

DATE

TITLE

2ND FOLD
MIRROR ASSEMBLY

DWN BY

SEAN
LIN

2 28
06

DRAWING
NUMBER

005009

REV.
N/C

CHK BY

APPR BY

DWG SIZE **B**

SCALE 3/4 SHEET 1 OF 1

NEXT ASSEMBLY

NOTE :