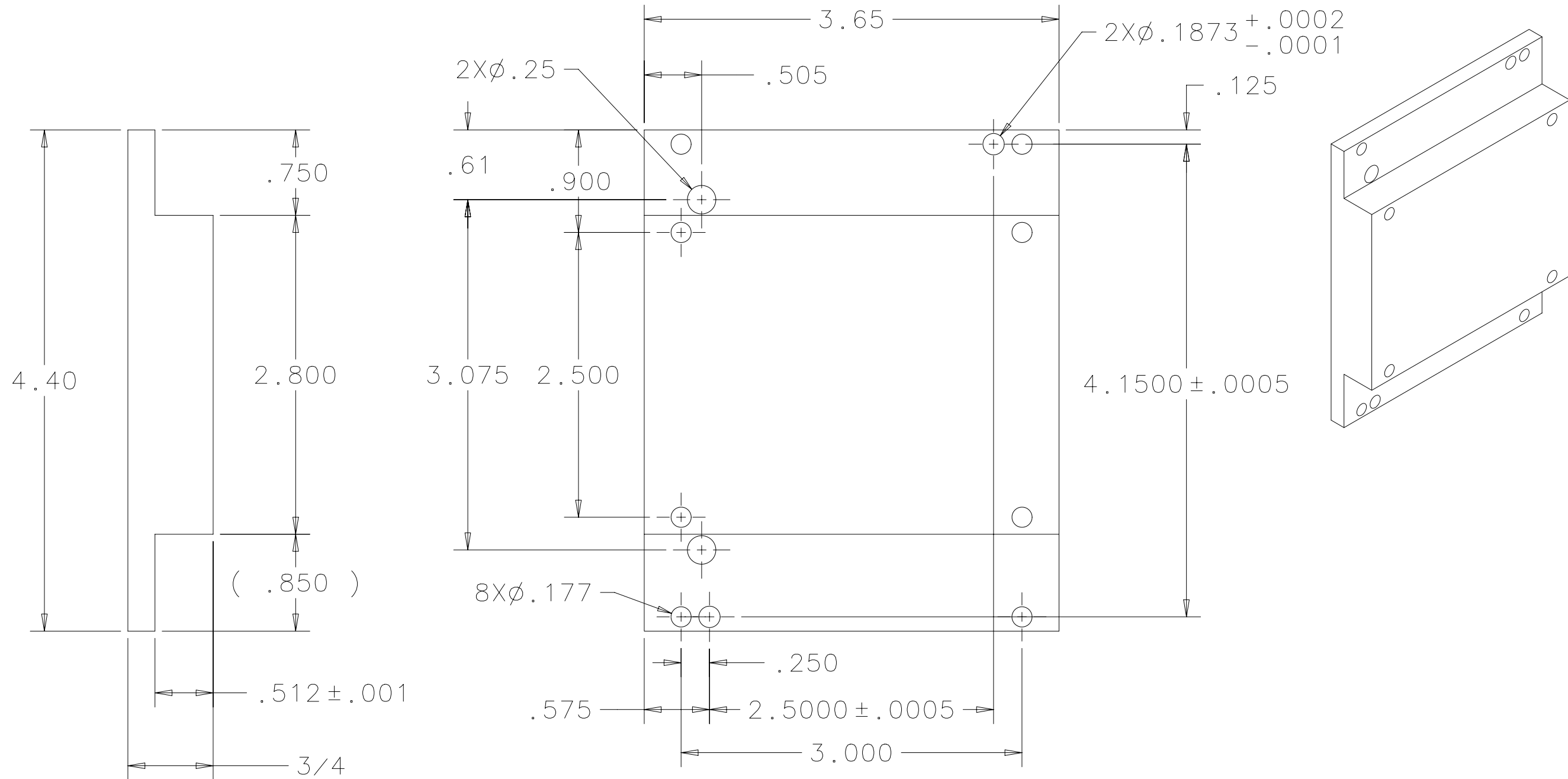


REV.	DESCRIPTION	APPROV.	DATE



1. MATERIAL: ALUMINUM ALLOY 6061-T651.

NOTE:

NIRES-D85

Infrared Physics
 CALIFORNIA INSTITUTE OF TECHNOLOGY
 Pasadena, California

UNLESS OTHERWISE SPECIFIED
 DIMENSIONS ARE IN INCHES
 .005/.010 EDGE BROKEN
 THREADS PER MIL-S-7742
 MACHINED SURFACE 63 MAX
 MACHINED INSIDE CORNER
 R.005 MAX
 TOLERANCE
 .XX: ±.01 X/X: ±1/64
 .XXX: ±.005 ANG:±.5

SIGNATURE		DATE
DWN BY	SEAN LIN	2 22 06
CHK BY		
APPR BY		

TITLE	2ND FOLD MIRROR ASSEMBLY MOUNT	
DRAWING NUMBER	050021	REV. N/C
DWG SIZE B	SCALE 1/1	SHEET 1 OF 1

NEXT ASSEMBLY 005009