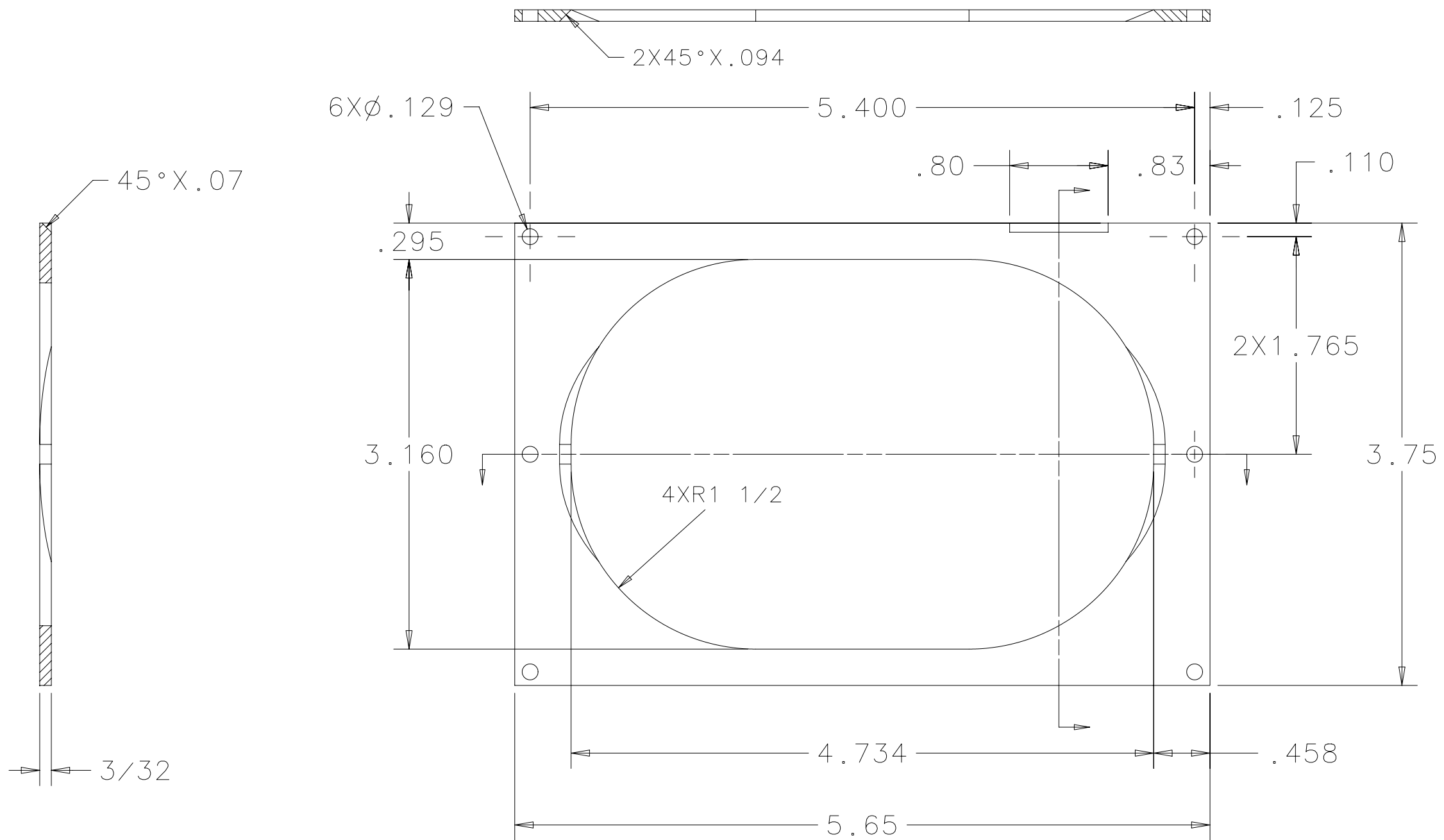


REV.	DESCRIPTION	APPROV.	DATE



1. MATERIAL: ALUMINUM ALLOY 6061-T651.

NOTE:

NIRES-D85

Infrared Physics
 CALIFORNIA INSTITUTE OF TECHNOLOGY
 Pasadena, California

UNLESS OTHERWISE SPECIFIED
 DIMENSIONS ARE IN INCHES
 .005/.010 EDGE BROKEN
 THREADS PER MIL-S-7742
 MACHINED SURFACE 63 MAX
 MACHINED INSIDE CORNER
 R.005 MAX
 TOLERANCE
 .XX: ±.01 X/XX: ±1/64
 .XXX: ±.005 ANG: ±.5

SIGNATURE
 DWN BY SEAN LIN
 CHK BY
 APPR BY

DATE
 2 28 06
 TITLE
 DRAWING NUMBER
 DWG SIZE **B**

2ND FOLD
 MIRROR COVER
 051027
 SCALE 1/1 SHEET 1 OF 1
 REV.
 N/C

NEXT ASSEMBLY 005009