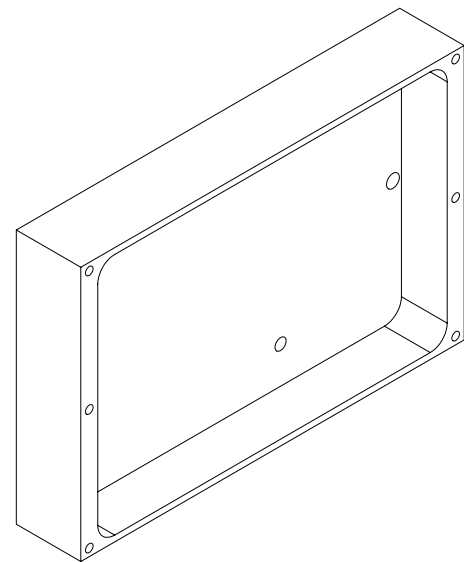
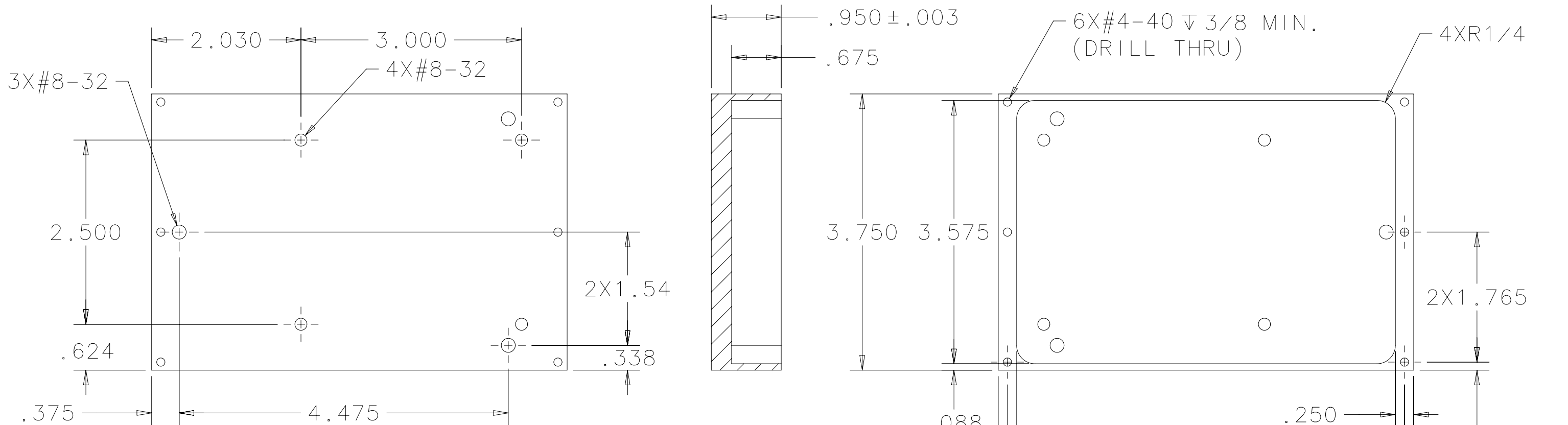


REV.	DESCRIPTION	APPROV.	DATE



1. MATERIAL: ALUMINUM ALLOY 6061-T651.

NOTE :

NEXT ASSEMBLY 005009

NIRES-D85		Infrared Physics CALIFORNIA INSTITUTE OF TECHNOLOGY Pasadena, California			
					TITLE
UNLESS OTHERWISE SPECIFIED DIMENSIONS ARE IN INCHES .005/.010 EDGE BROKEN THREADS PER MIL-S-7742 MACHINED SURFACE 63 MAX MACHINED INSIDE CORNER R.005 MAX TOLERANCE .XX: $\pm .01$ X/X: $\pm 1/64$.XXX: $\pm .005$ ANG: $\pm .5$		SIGNATURE	DATE	DRAWING NUMBER	REV.
		DWN BY	SEAN LIN	2 22 06	052021
		CHK BY			N/C
		APPR BY			
		DWG SIZE B	SCALE 3/4	SHEET 1 OF 1	