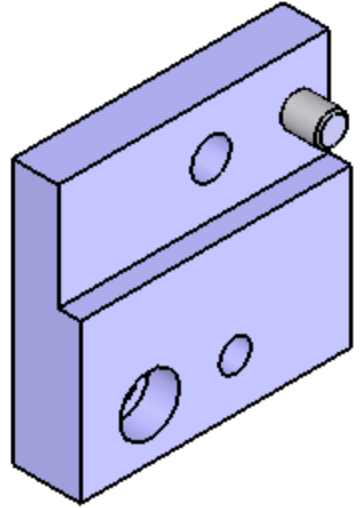
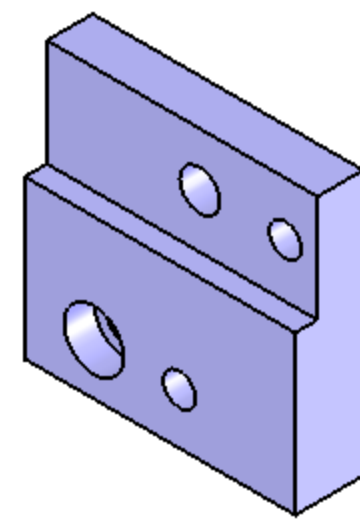
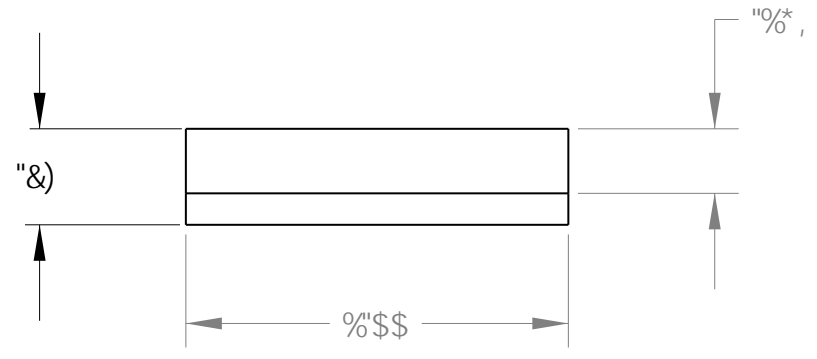


		F9J -G€ BG	
F9J "	NC B9	89G7 F-DHC B	85H9 5DDFC J98
\$		8jā WUb[Y. ""%&tc ""%".	%&#&- #&\$S\$*
%	8'	8jā WUb[Yg ""(&+ tc ""(&*z	%&#% #&\$S\$*
	5(UbX ""+(&tc ""+(&	7 <

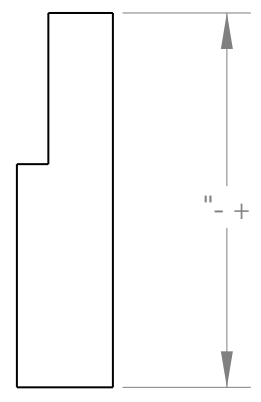
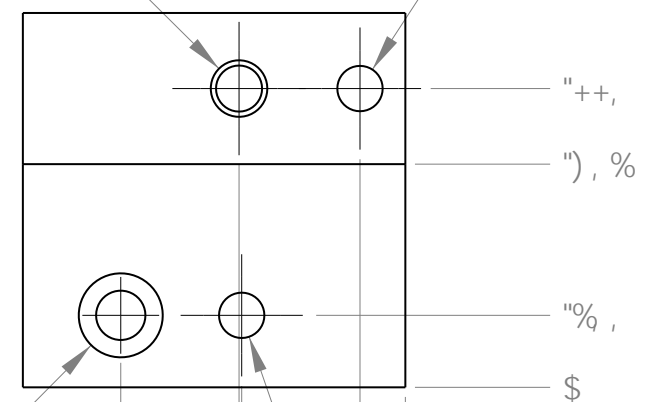


J 9K 'K #k '8C K 9@D-B"



∅ ""%&\$ 'HkFI '5 @@
H5D':CF', (!(\$ '<9@7 C @
bgY fh1 '%\$'t '8jU"

∅ ""%& ∇ ""%\$\$
DF9GG: #I ∅ " 'a a 'L '* 'a a
8C K 9@D-B



∅ ""%&- 'HkFI '5 @@
∅ ""%& ∇ ""%&

∅ ""%& 'HkFI '5 @@
7 @5F5B79': #I: CF
∅ " 'a a 'L '* 'a a
8C K 9@D-B

I B@9GCH:9FK -69 0D97 + 98 8 A 9BGC BG 5F9-B 'B7 <9G2F9A CJ 96I FG5B8 6F95? G<5FD98: 9G\$"\$S) I\$"\$S\$		HF -D@9GD97		Eqtpgm'Wpkxgtukv Egpgt'hqt'Tcf kqrj {ukeu'cpf 'Urcg'Tgugctej '"/>Kj cec.'P['36: 75	
HC @9F5B79G ""LL±"\$S\$""LLL±"\$S\$) 5B: @9G±"\$S\$)* I B@9GBC H982 5@@QI F: 579G*("I B@9GBC H98	B5A 9.	B#H	85H9.	H#09. 5DC '585DHC F'G	
A 5H9F-5@ *\$*%H* '5@ A E HM'%	8F5K B. G7 D	G7 D	%&#% #S\$*	GAN9. 6 8F5K B: F9J %	
	7 < 97?98. 7 <	7 <	%&#% #S\$*	G7 5 @. &% 85H9. %&#% #&\$S\$* G<99H% C: %	
	5DDFC J98.				
	: 56F 7 5H98.				
	: @. HF8C D+, 5DC 5XUdhtFG				