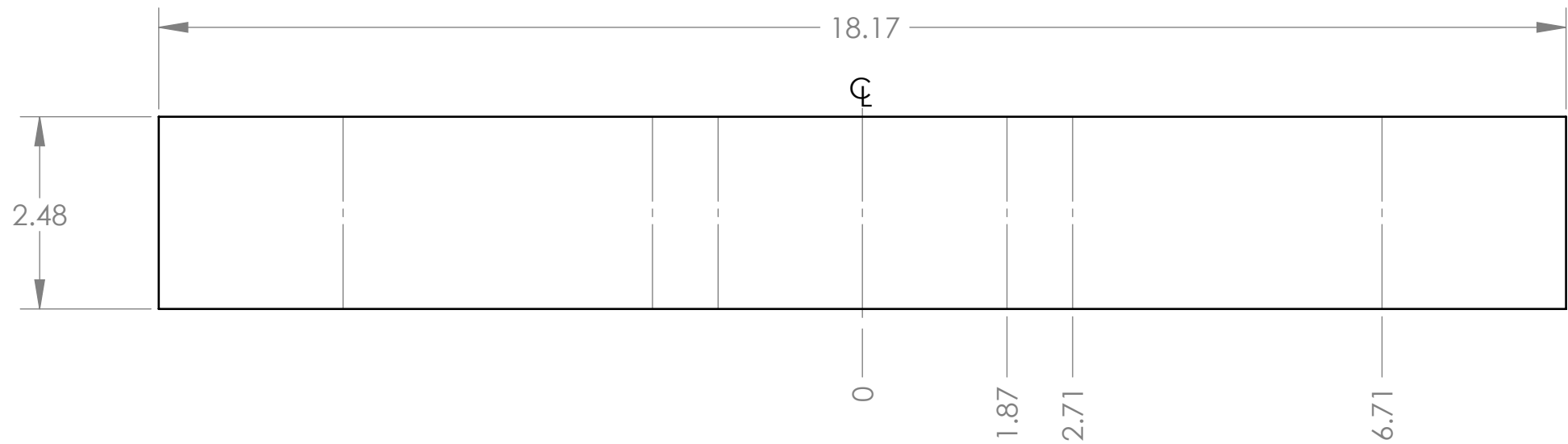
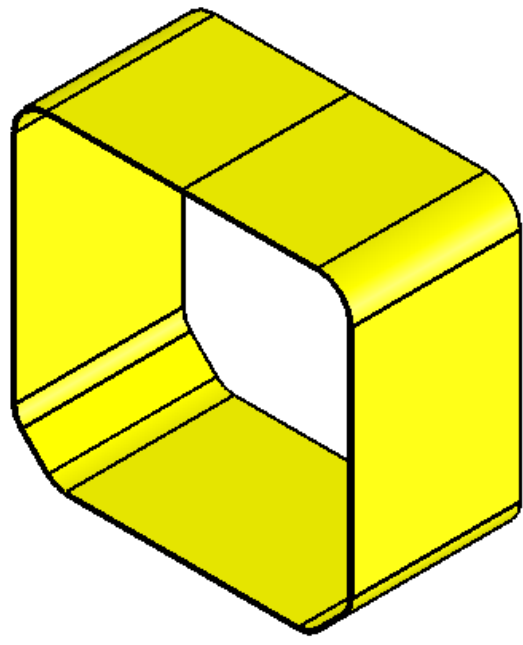
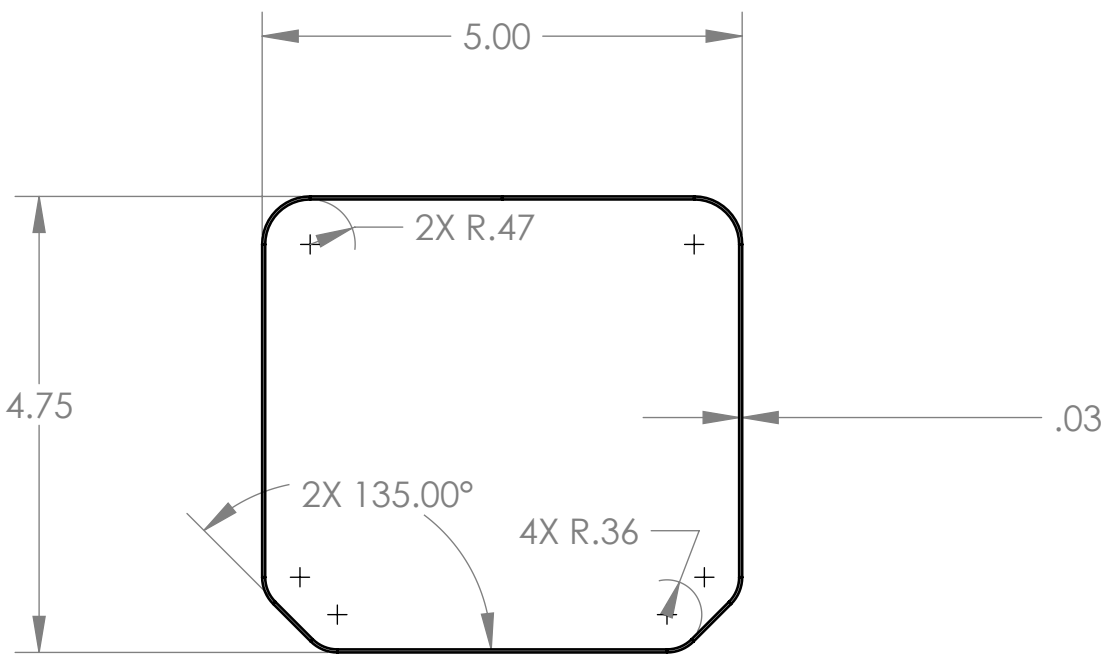


REVISIONS				
REV.	ZONE	DESCRIPTION	DATE	APPROVED
0		INITIAL RELEASE.	11/03/06	CH
1		CHANGED SHEET THICKNESS FROM .02 TO .03 TO USE 1/32" STOCK.	02/09/07	SCP



UNLESS OTHERWISE SPECIFIED DIMENSIONS ARE IN INCHES, REMOVE BURS AND BREAK SHARP EDGES 0.005-0.010

TOLERANCES: .XX±.010 .XXX±.005
 ANGLES ±0.5° UNLESS NOTED,
 ALL SURFACES 64 UNLESS NOTED

MATERIAL: **3003 AL**
QTY: 3

TRIPLESPEC
 Cornell University
 Center for Radiophysics and Space Research - Ithaca, NY 14853

NAME:	INIT.	DATE:	TITLE:
DRAWN:	SCP	02/09/07	OAP2 SHIELD TUBE
CHECKED:	SCP	02/09/07	SIZE: B
APPROVED:			DRAWING # TRD7L019B
FABRICATED:			REV 1

FILE: TRD7L019B OAP2 Shield Tube

SCALE: 1:2 DATE: 2/9/2007 SHEET 1 OF 1