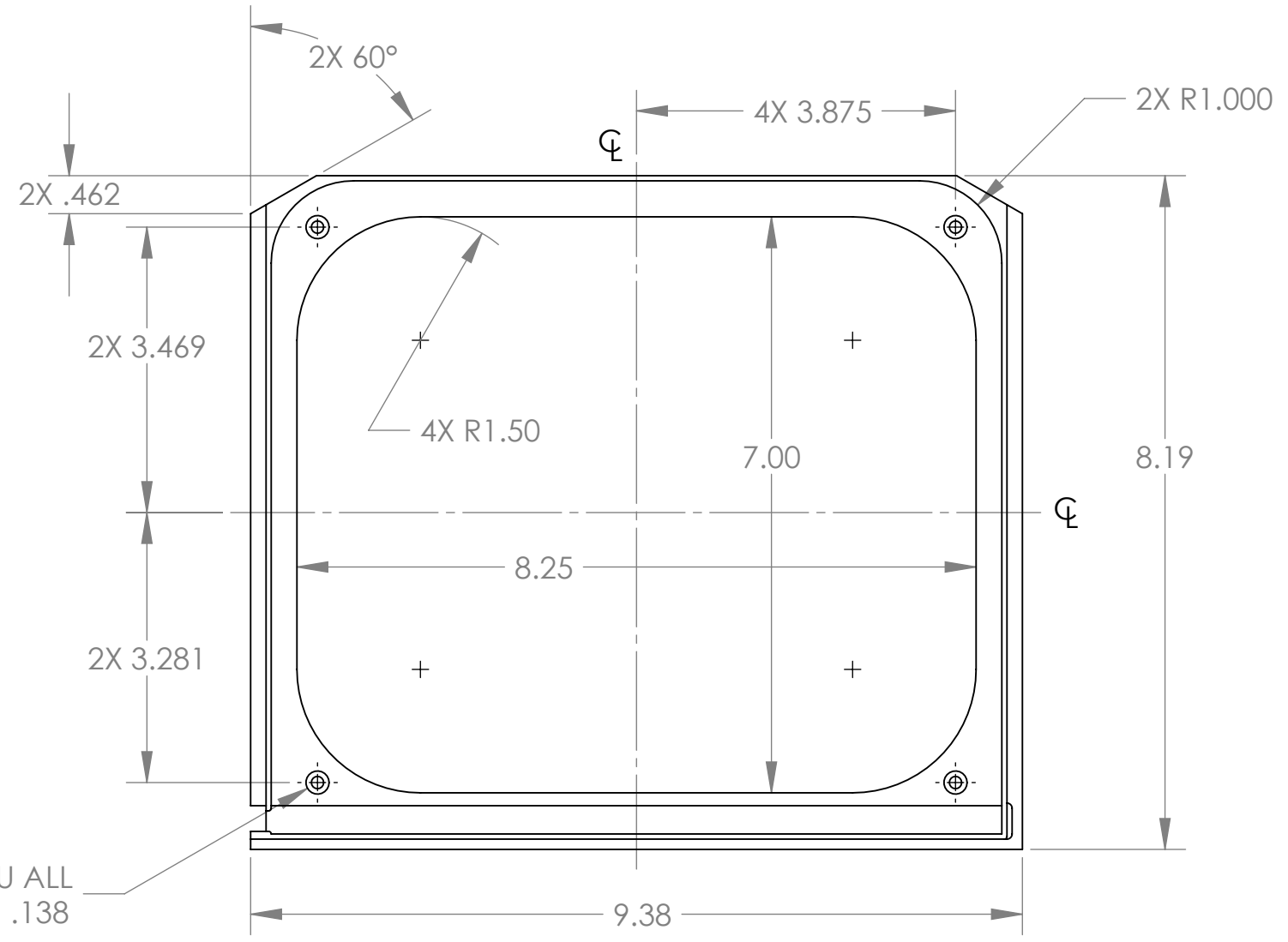
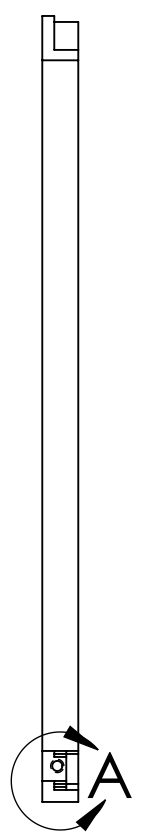
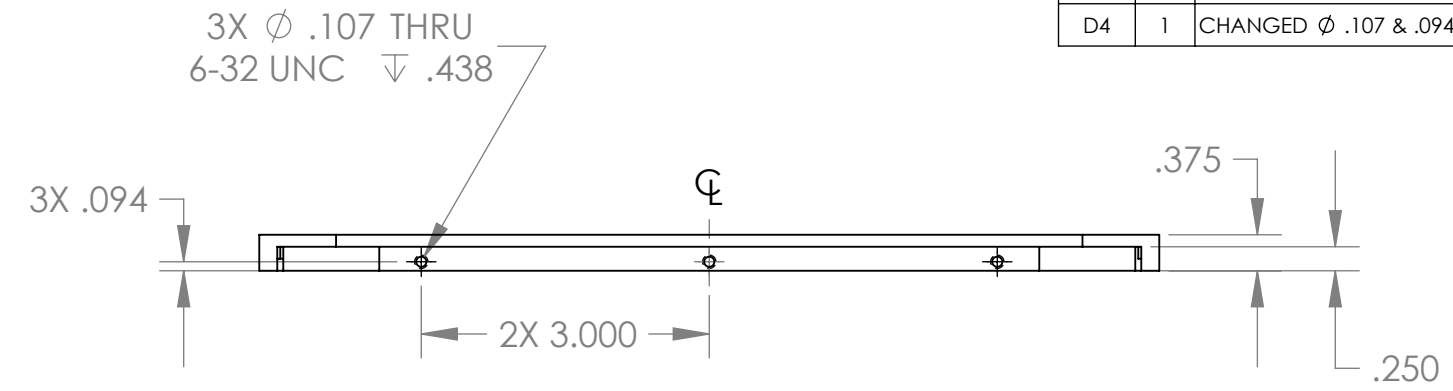
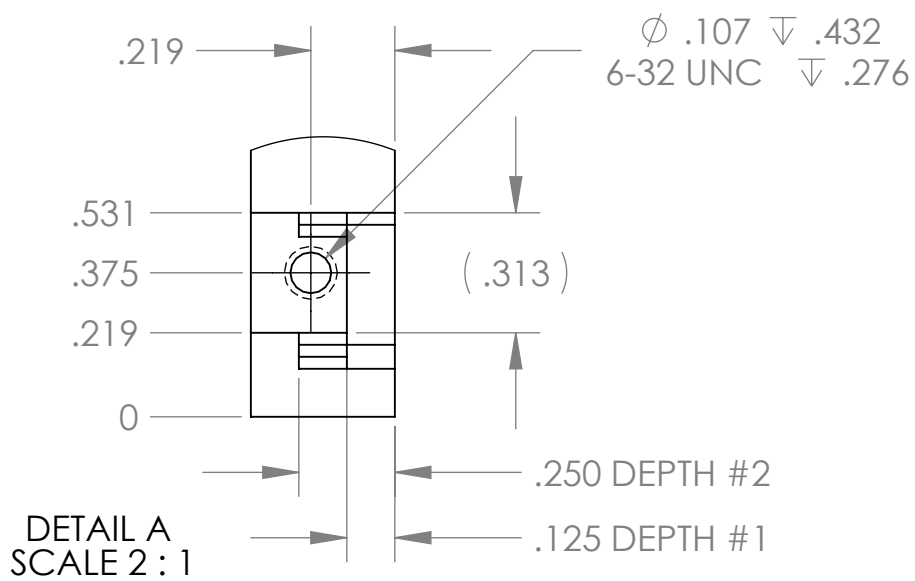


REVISIONS				
ZONE	REV.	DESCRIPTION	DATE	APPROVED
	0	INITIAL RELEASE.	03/12/07	JCW
D4	1	CHANGED ϕ .107 & .094 FROM 2X TO 3X.	05/03/07	SCP



UNLESS OTHERWISE SPECIFIED DIMENSIONS ARE IN INCHES, REMOVE BURS AND BREAK SHARP EDGES 0.005-0.010

TOLERANCES: .XX \pm .010 .XXX \pm .005
 ANGLES \pm 0.5° UNLESS NOTED,
 ALL SURFACES 64 UNLESS NOTED

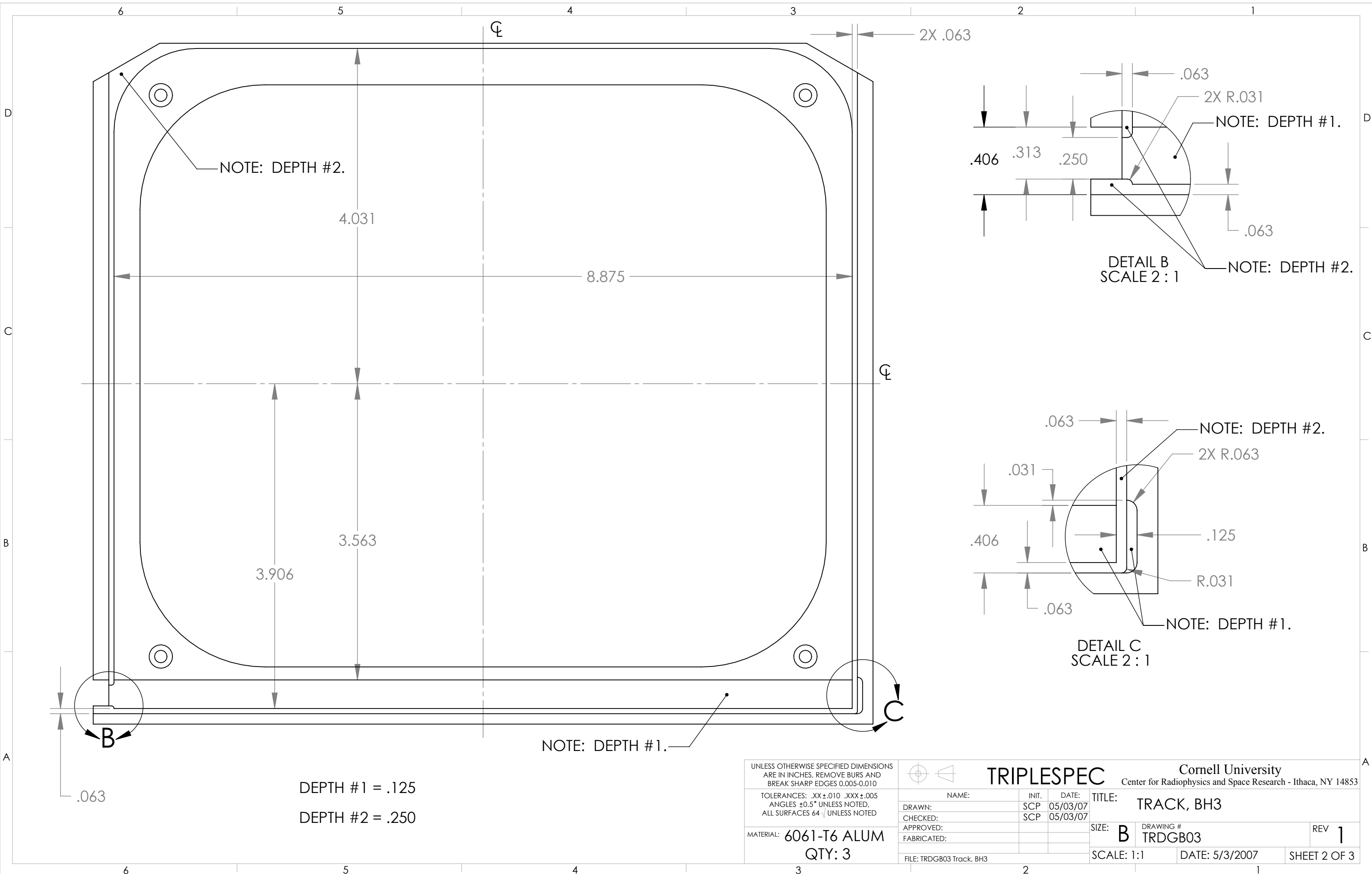
MATERIAL: 6061-T6 ALUM
 QTY: 3

TRIPLESPEC
 Cornell University
 Center for Radiophysics and Space Research - Ithaca, NY 14853

NAME:	INIT.	DATE:	TITLE:
DRAWN:	SCP	05/03/07	TRACK, BH3
CHECKED:	SCP	05/03/07	
APPROVED:			
FABRICATED:			

FILE: TRDGB03 Track, BH3

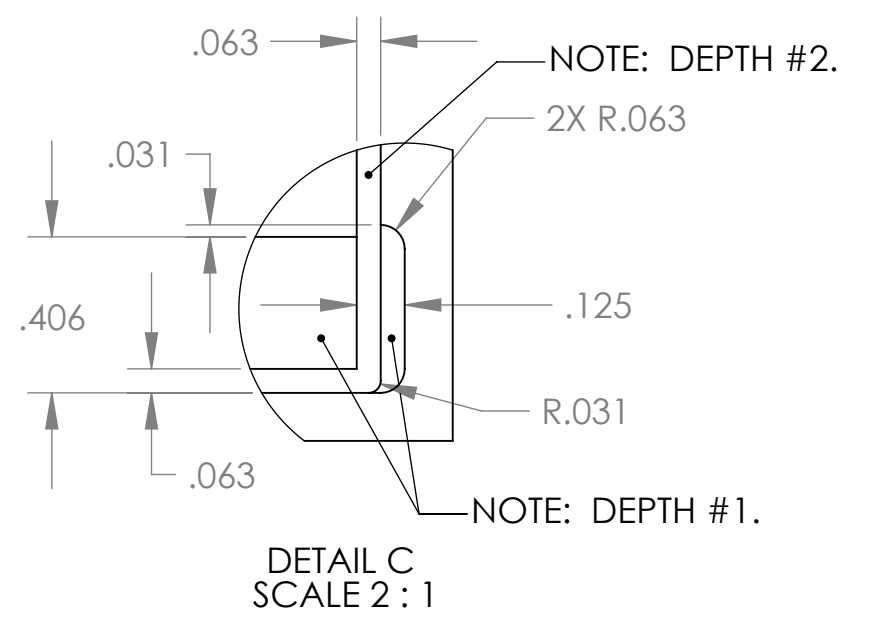
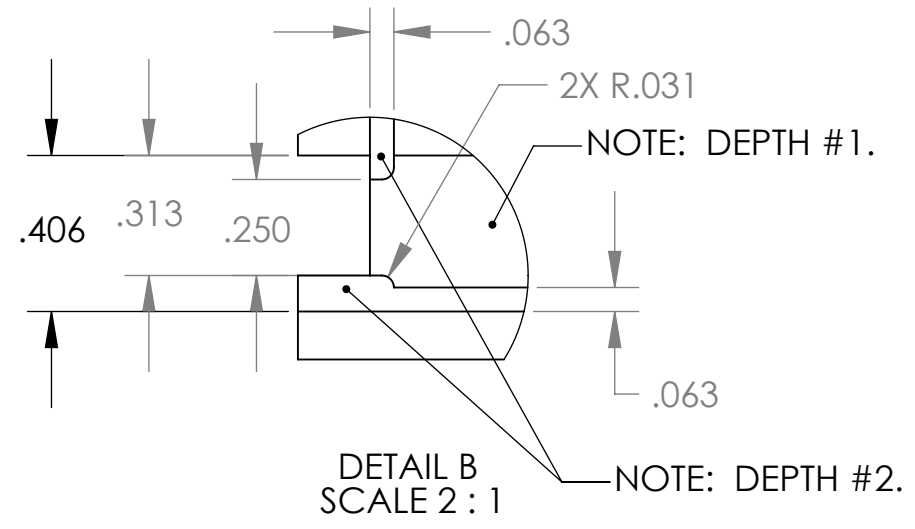
SIZE: B	DRAWING # TRDGB03	REV 1
SCALE: 1:2	DATE: 5/3/2007	SHEET 1 OF 3



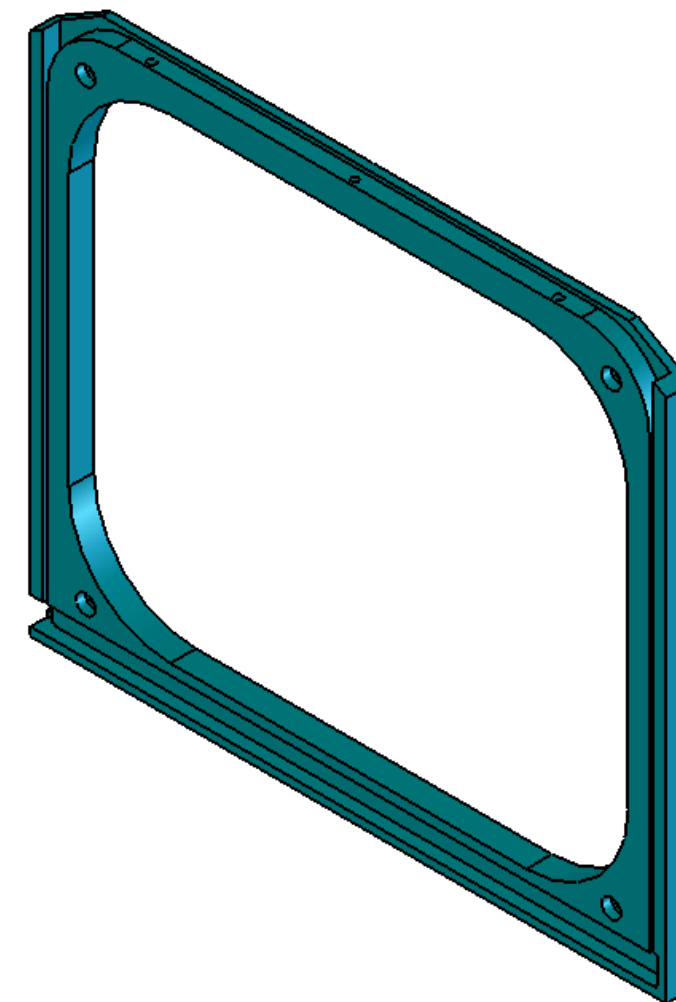
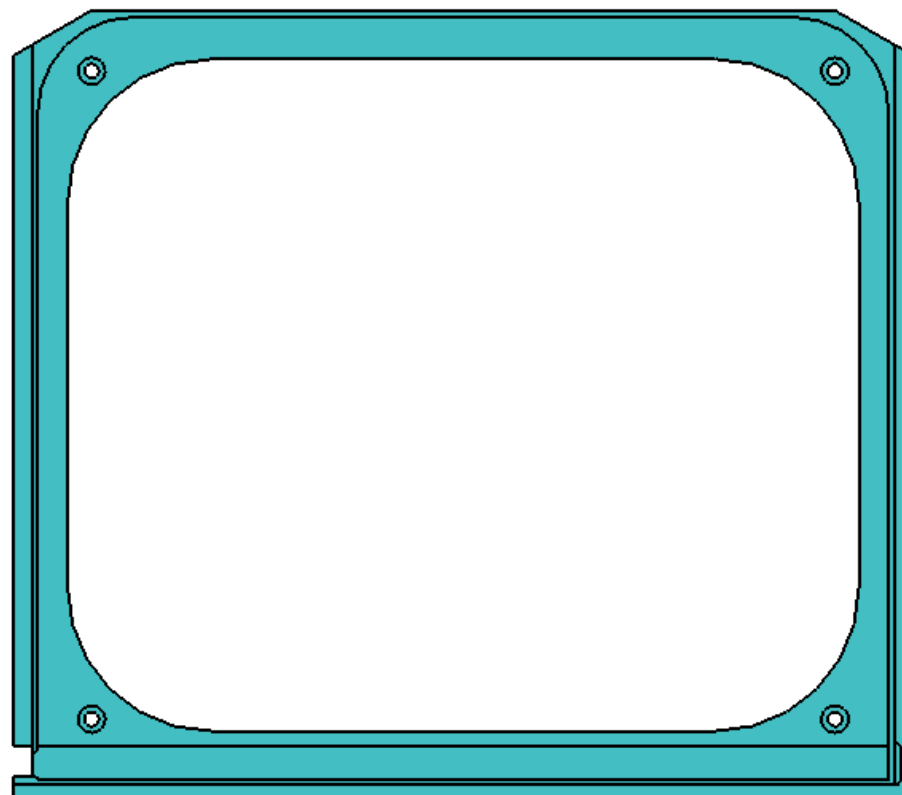
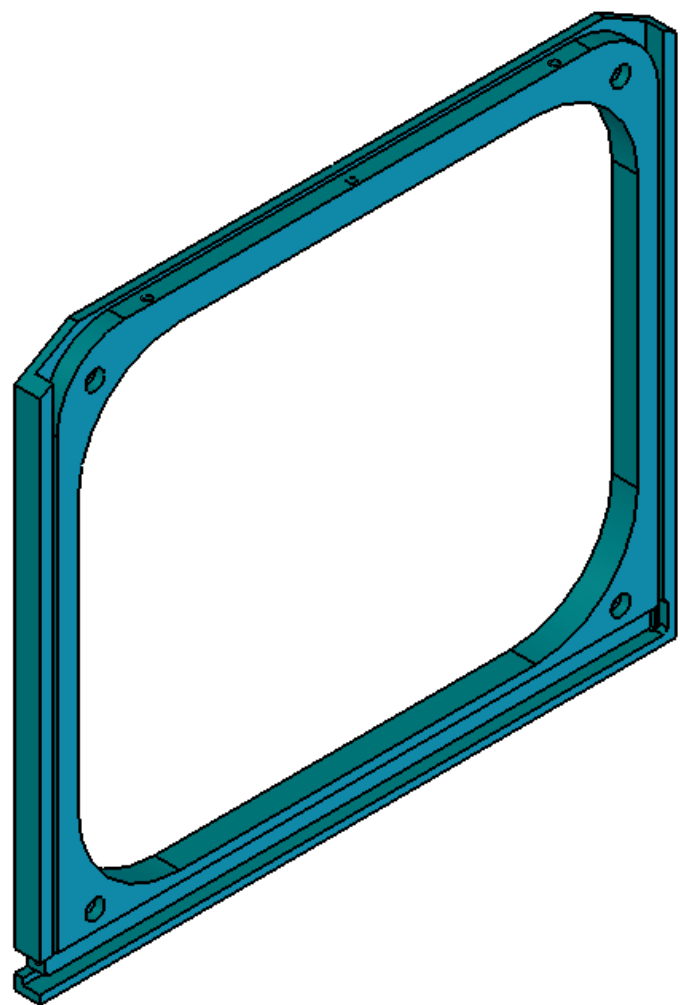
NOTE: DEPTH #2.

DEPTH #1 = .125
 DEPTH #2 = .250

NOTE: DEPTH #1.



UNLESS OTHERWISE SPECIFIED DIMENSIONS ARE IN INCHES, REMOVE BURS AND BREAK SHARP EDGES 0.005-0.010				TRIPLESPEC		Cornell University Center for Radiophysics and Space Research - Ithaca, NY 14853	
TOLERANCES: .XX±.010 .XXX±.005 ANGLES ±0.5° UNLESS NOTED, ALL SURFACES 64 UNLESS NOTED		NAME:	INIT.	DATE:	TITLE:	TRACK, BH3	
MATERIAL: 6061-T6 ALUM QTY: 3		DRAWN:	SCP	05/03/07	SIZE:	B	REV 1
		CHECKED:	SCP	05/03/07	DRAWING #	TRDGB03	
		APPROVED:			SCALE: 1:1	DATE: 5/3/2007	SHEET 2 OF 3
		FABRICATED:			FILE: TRDGB03 Track, BH3		



UNLESS OTHERWISE SPECIFIED DIMENSIONS
ARE IN INCHES, REMOVE BURS AND
BREAK SHARP EDGES 0.005-0.010

TOLERANCES: .XX±.010 .XXX±.005
ANGLES ±0.5° UNLESS NOTED,
ALL SURFACES 64 UNLESS NOTED

MATERIAL: 6061-T6 ALUM
QTY: 3



NAME:	INIT.	DATE:
DRAWN:	SCP	05/03/07
CHECKED:	SCP	05/03/07
APPROVED:		
FABRICATED:		

FILE: TRDGB03 Track, BH3

TRIPLESPEC

TITLE: TRACK, BH3

SIZE: B DRAWING # TRDGB03

SCALE: 1:2

DATE: 5/3/2007

REV 1

SHEET 3 OF 3

Cornell University
Center for Radiophysics and Space Research - Ithaca, NY 14853