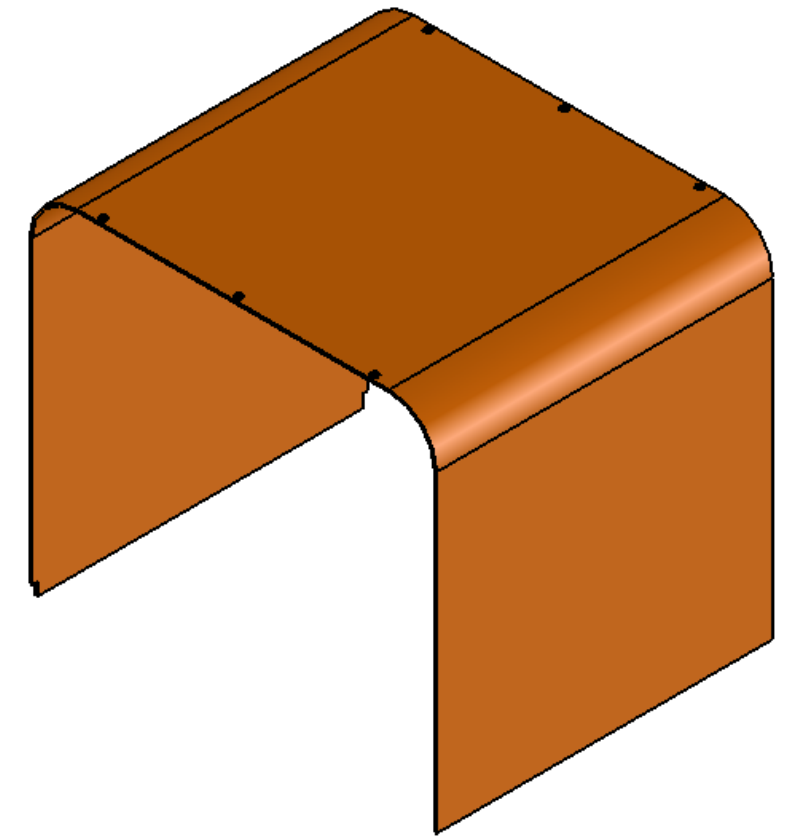
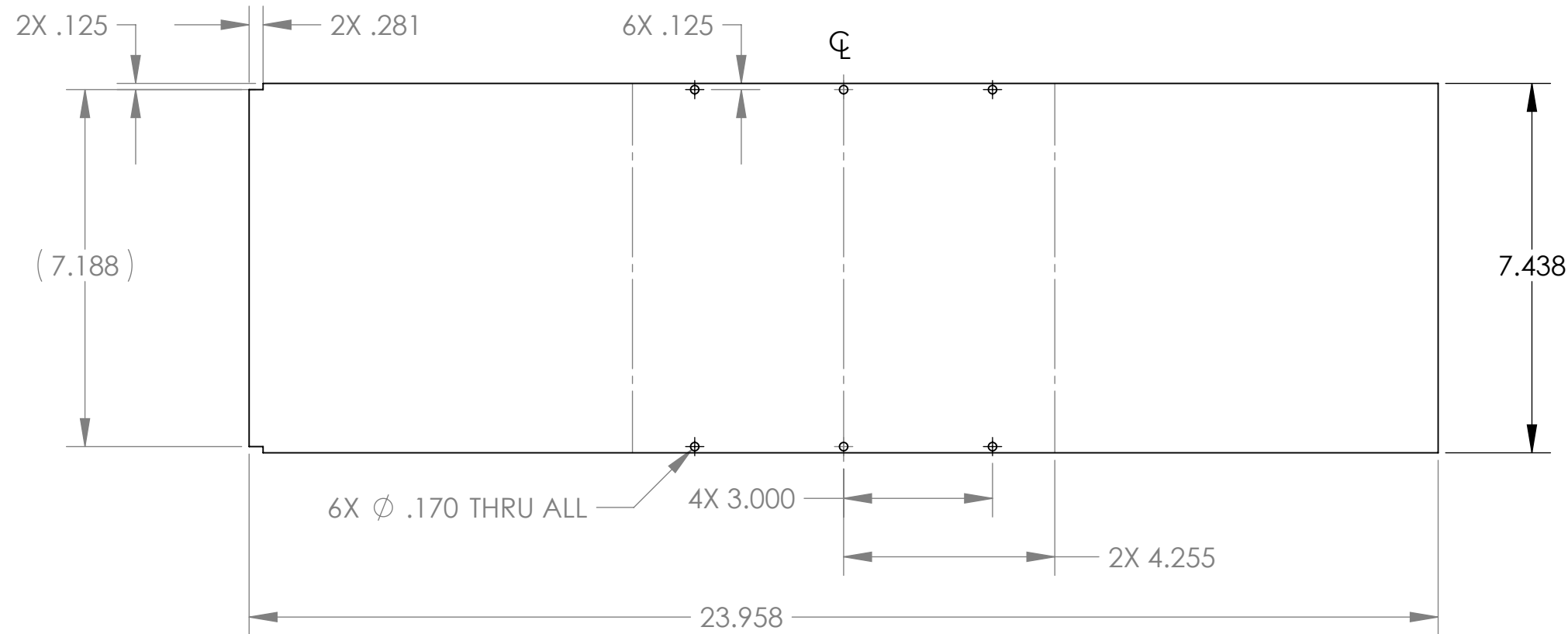
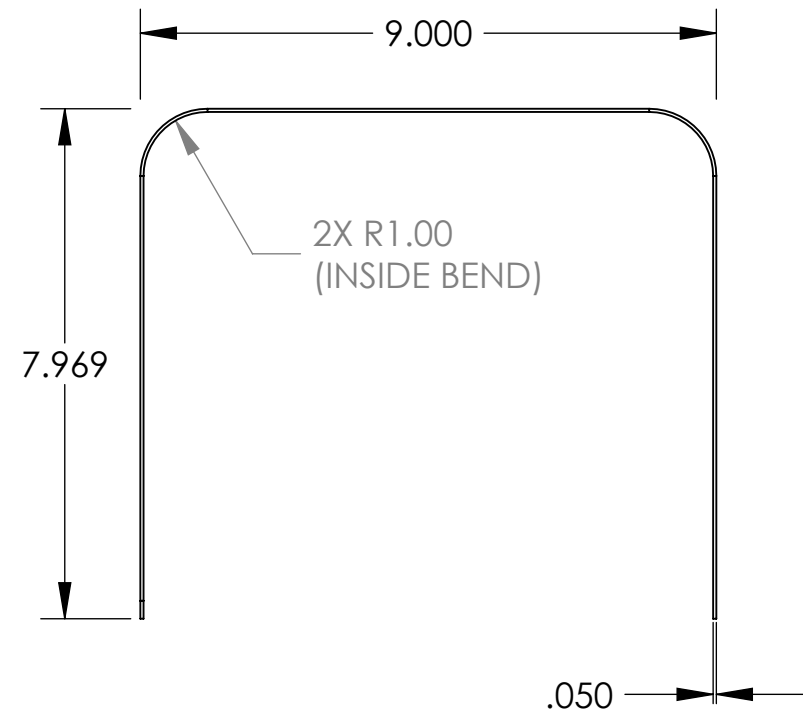


REVISIONS				
ZONE	REV.	DESCRIPTION	DATE	APPROVED
	0	INITIAL RELEASE.	03/12/07	JCW
A5, C5	1	CHANGED ϕ .170 AND .125 FROM 4X TO 6X.	05/03/07	SCP



NOTE: USE .050 SHEET.

UNLESS OTHERWISE SPECIFIED DIMENSIONS ARE IN INCHES, REMOVE BURRS AND BREAK SHARP EDGES 0.005-0.010
 TOLERANCES: .XX ± .010 .XXX ± .005
 ANGLES ± 0.5° UNLESS NOTED,
 ALL SURFACES 64 UNLESS NOTED

MATERIAL: 3003 ALUM
 QTY: 3



NAME: _____ INIT: SCP DATE: 05/03/07
 DRAWN: _____ CHECKED: SCP
 APPROVED: _____ FABRICATED: _____

FILE: TRDGB04 Hood, top

TRIPLESPEC

Cornell University
 Center for Radiophysics and Space Research - Ithaca, NY 14853

TITLE: HOOD, TOP

SIZE: B DRAWING # TRDGB04

REV 1

SCALE: 1:3 DATE: 5/3/2007 SHEET 1 OF 1