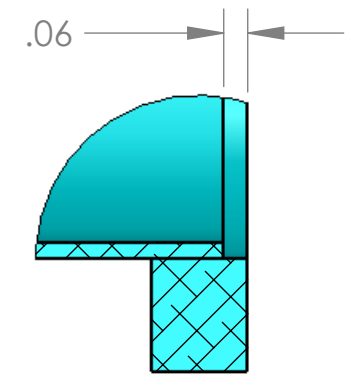
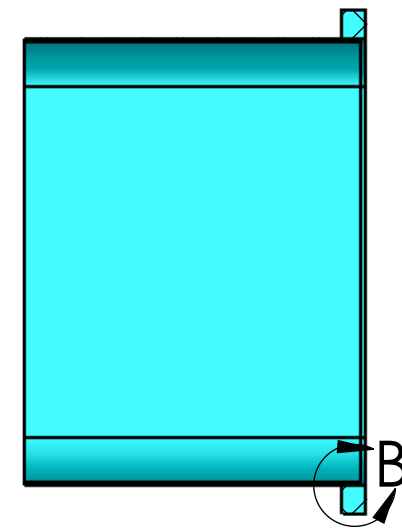
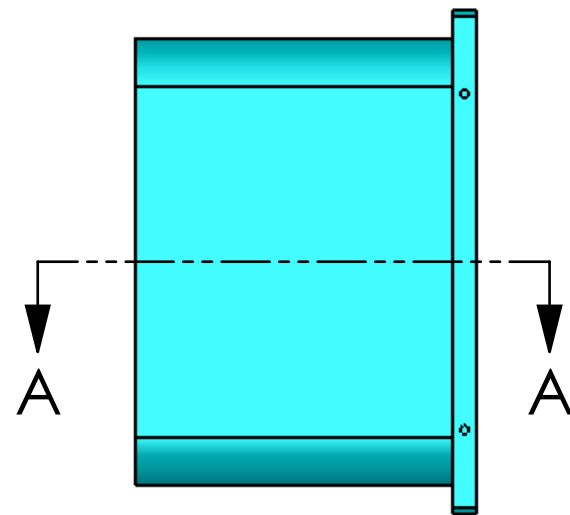
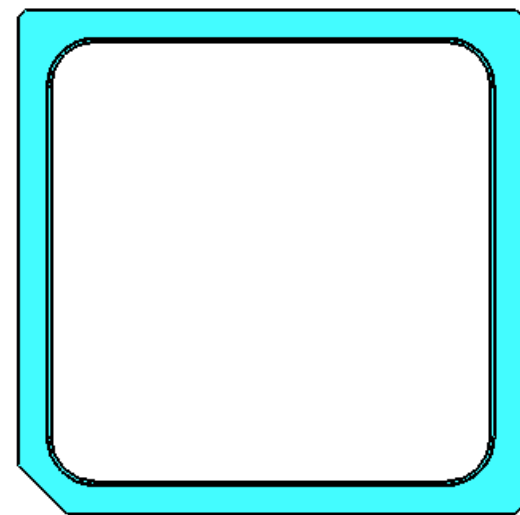
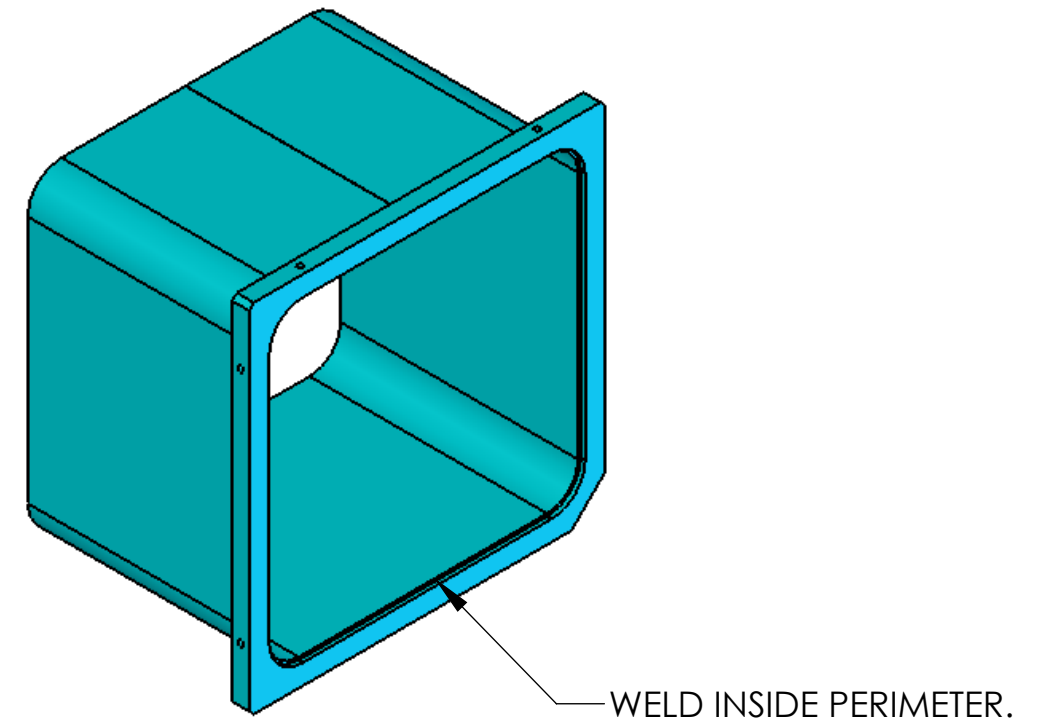
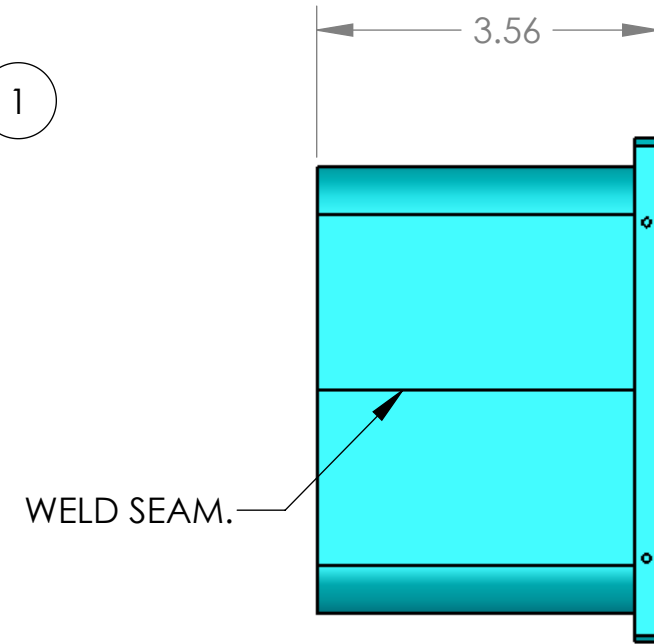
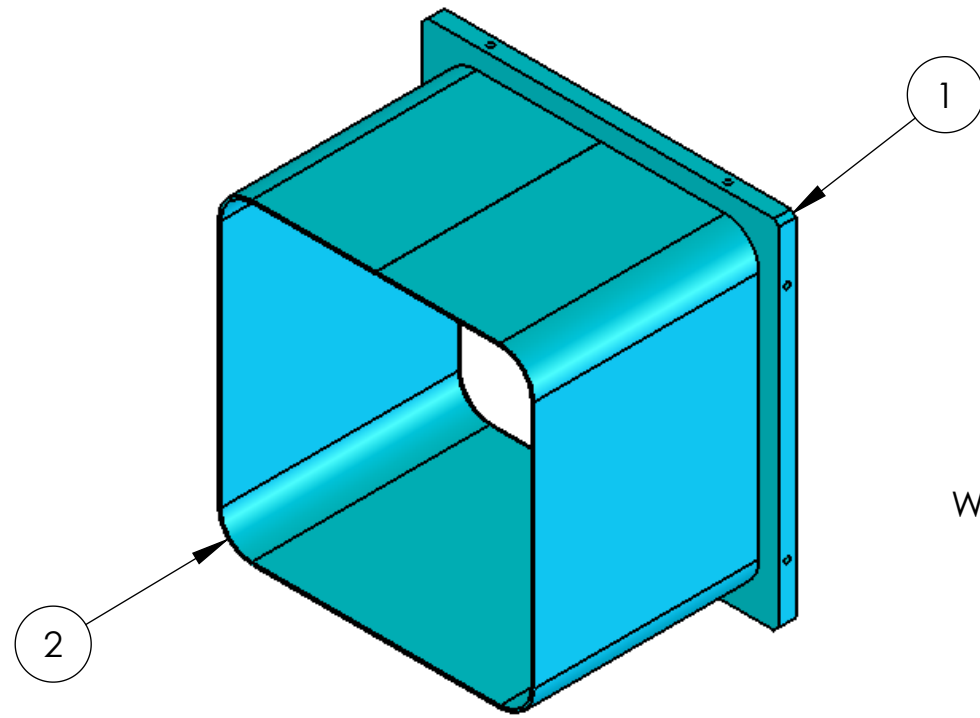


REVISIONS				
ZONE	REV.	DESCRIPTION	DATE	APPROVED
	0	INITIAL RELEASE.	04/02/07	JCW
	1	CHANGED OUTSIDE PERIMETER WELD TO INSIDE, ADDED OVERALL LENGTH, MOVED TUBE 1/16" FROM EDGE, ADDED SECTION AND DETAIL VIEWS.	04/27/07	SCP



DETAIL B  
SCALE 2 : 1

SECTION A-A

ITEM NO.	PART NUMBER / DESCRIPTION	QTY.
1	TRDOP19A Window Shield Base	1
2	TRDOP19B Window Shield Tube	1

UNLESS OTHERWISE SPECIFIED DIMENSIONS ARE IN INCHES, REMOVE BURS AND BREAK SHARP EDGES 0.005-0.010  
TOLERANCES: .XX±.010 .XXX±.005  
ANGLES ±0.5° UNLESS NOTED,  
ALL SURFACES 64 UNLESS NOTED

MATERIAL:  
**QTY: 3**

NAME:		INIT.	DATE:	TITLE:
DRAWN:	SCP	SCP	04/27/07	WINDOW SHIELD
CHECKED:	SCP	SCP	04/27/07	
APPROVED:				
FABRICATED:				
FILE: TRDOP19 Window Shield				

**TRIPLESPEC** Cornell University  
Center for Radiophysics and Space Research - Ithaca, NY 14853

SIZE: **B** DRAWING # TRDOP19 REV **1**

SCALE: 1:2 DATE: 4/27/2007 SHEET 1 OF 1