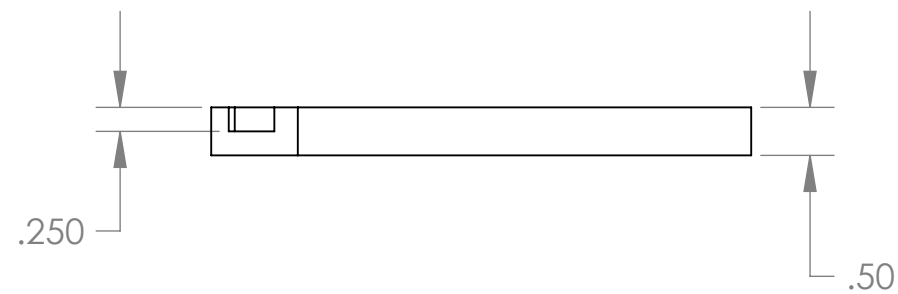
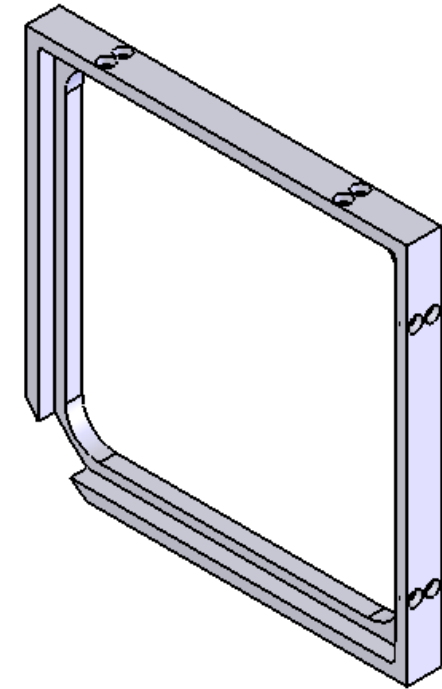
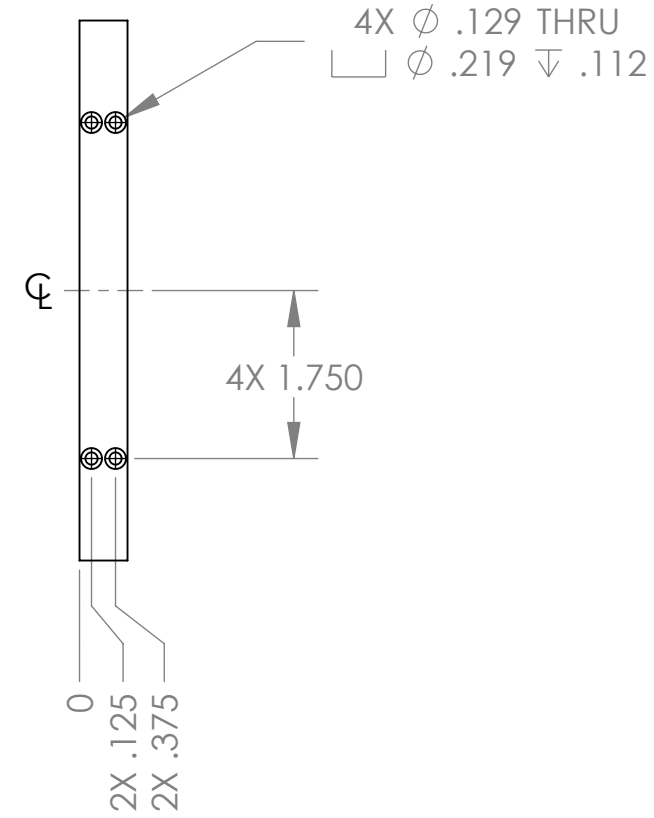
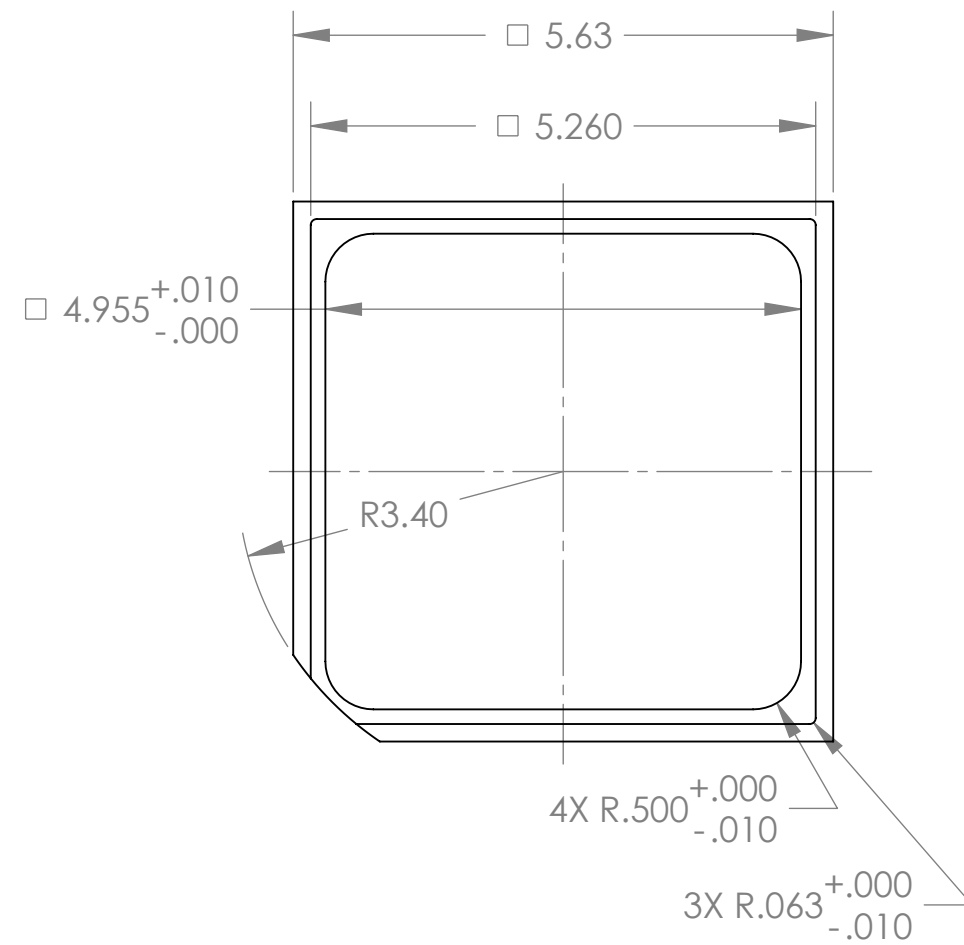
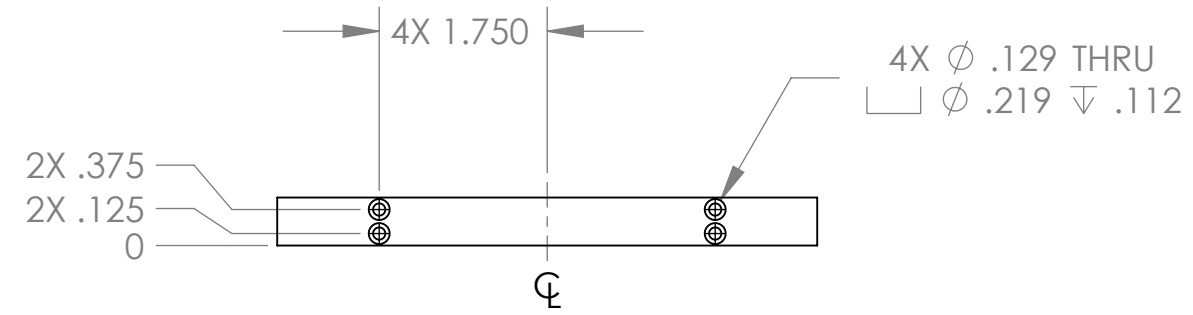


REVISIONS				
ZONE	REV.	DESCRIPTION	DATE	APPROVED
	0	INITIAL RELEASE.	04/02/07	JCW
C5	1	CHANGED □ 5.010 TO □ 4.955.	05/14/07	SCP



UNLESS OTHERWISE SPECIFIED DIMENSIONS ARE IN INCHES, REMOVE BURRS AND BREAK SHARP EDGES 0.005-0.010

TOLERANCES: .XX±.010 .XXX±.005
ANGLES ±0.5° UNLESS NOTED,
ALL SURFACES 64 UNLESS NOTED

MATERIAL: 6061-T6 ALUM
QTY: 3



NAME: TRIPLESPEC

INIT. DATE: 05/14/07

DRAWN: SCP

CHECKED: SCP

APPROVED:

FABRICATED:

Cornell University
Center for Radiophysics and Space Research - Ithaca, NY 14853

TITLE: U FIELD BAFFLE SEAL, Upstream

SIZE: B DRAWING # TRDOP53 REV 1

SCALE: 1:2 DATE: 5/14/2007 SHEET 1 OF 1