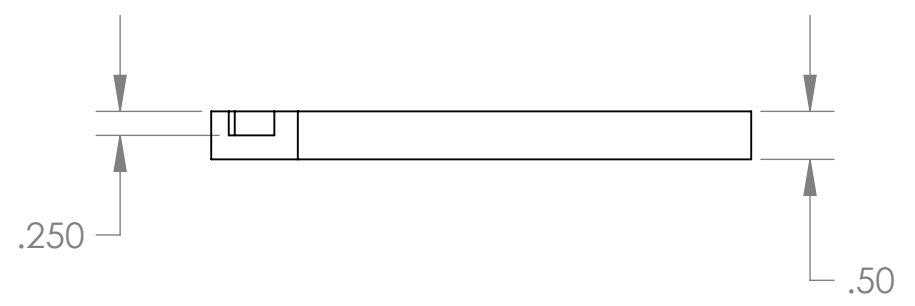
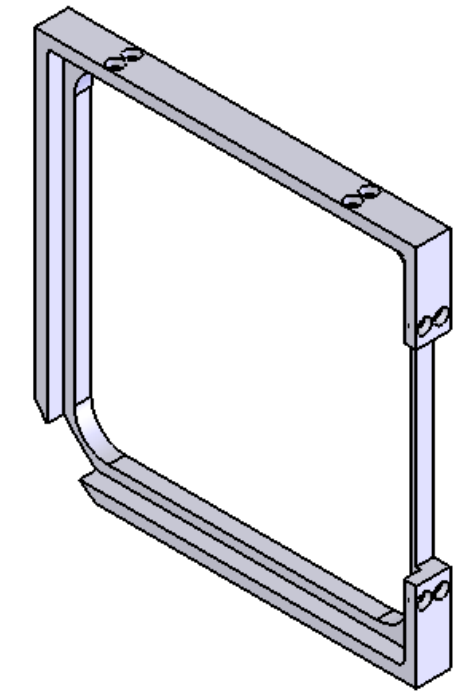
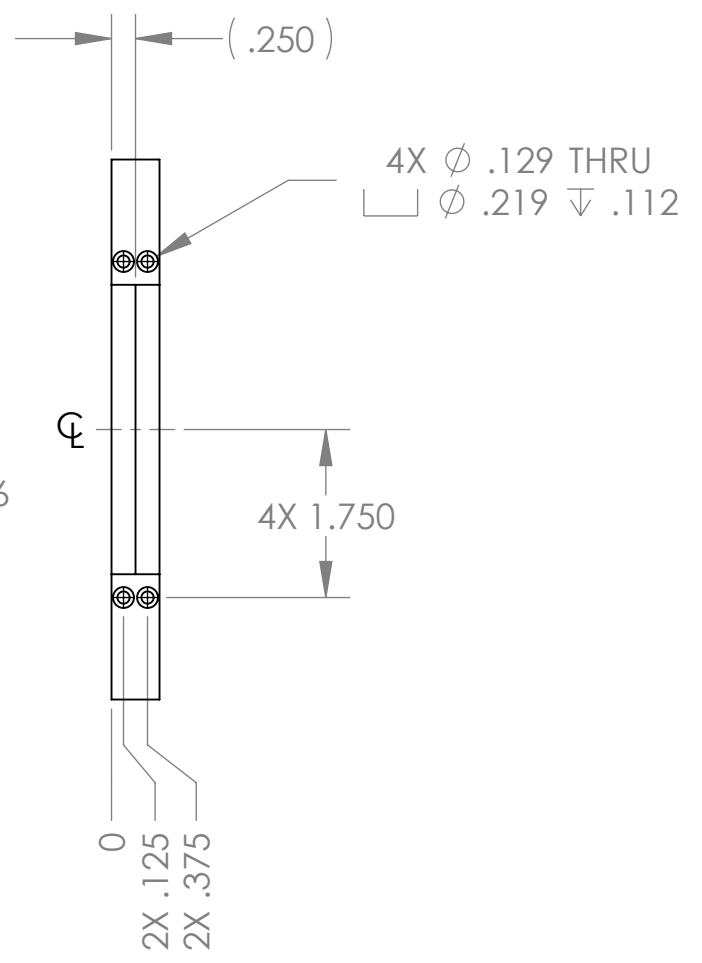
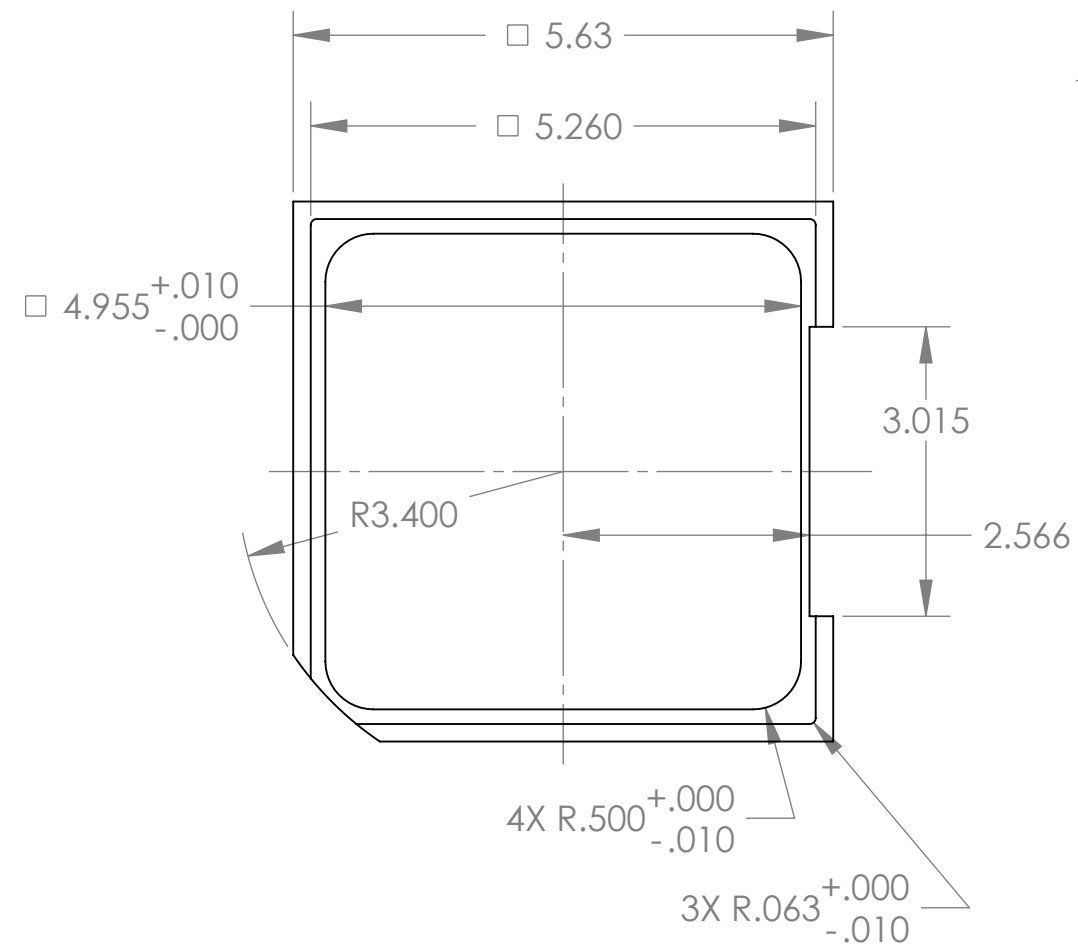
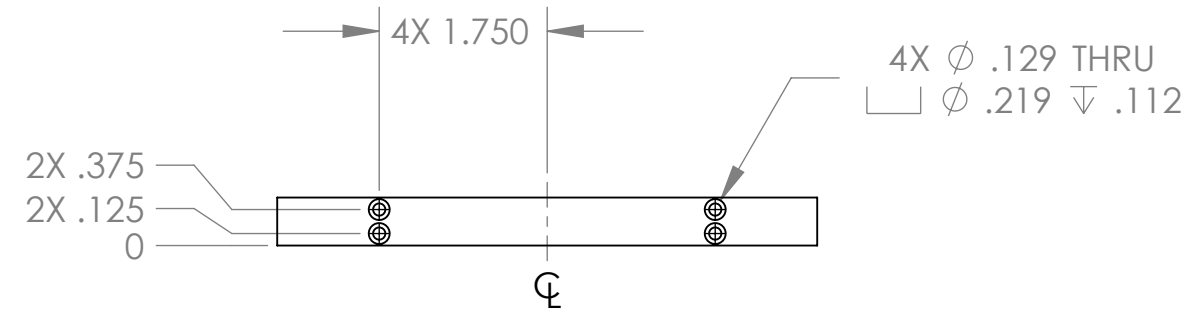


REVISIONS				
ZONE	REV.	DESCRIPTION	DATE	APPROVED
	0	INITIAL RELEASE.	04/02/07	JCW
C5	1	CHANGED □ 5.010 TO □ 4.955.	05/14/07	SCP



UNLESS OTHERWISE SPECIFIED DIMENSIONS ARE IN INCHES, REMOVE BURRS AND BREAK SHARP EDGES 0.005-0.010

TOLERANCES: .XX±.010 .XXX±.005
ANGLES ±0.5° UNLESS NOTED,
ALL SURFACES 64 UNLESS NOTED

MATERIAL: 6061-T6 ALUM
QTY: 3

TRIPLESPEC Cornell University
Center for Radiophysics and Space Research - Ithaca, NY 14853

NAME:	INIT.	DATE:	TITLE:
DRAWN:	SCP	05/14/07	U FIELD BAFFLE SEAL, Downstream
CHECKED:	SCP	05/14/07	SIZE: B
APPROVED:			DRAWING # TRDOP53A
FABRICATED:			REV 1

FILE: TRDOP53A U Field Baffle Seal, Downstream SCALE: 1:2 DATE: 5/14/2007 SHEET 1 OF 1