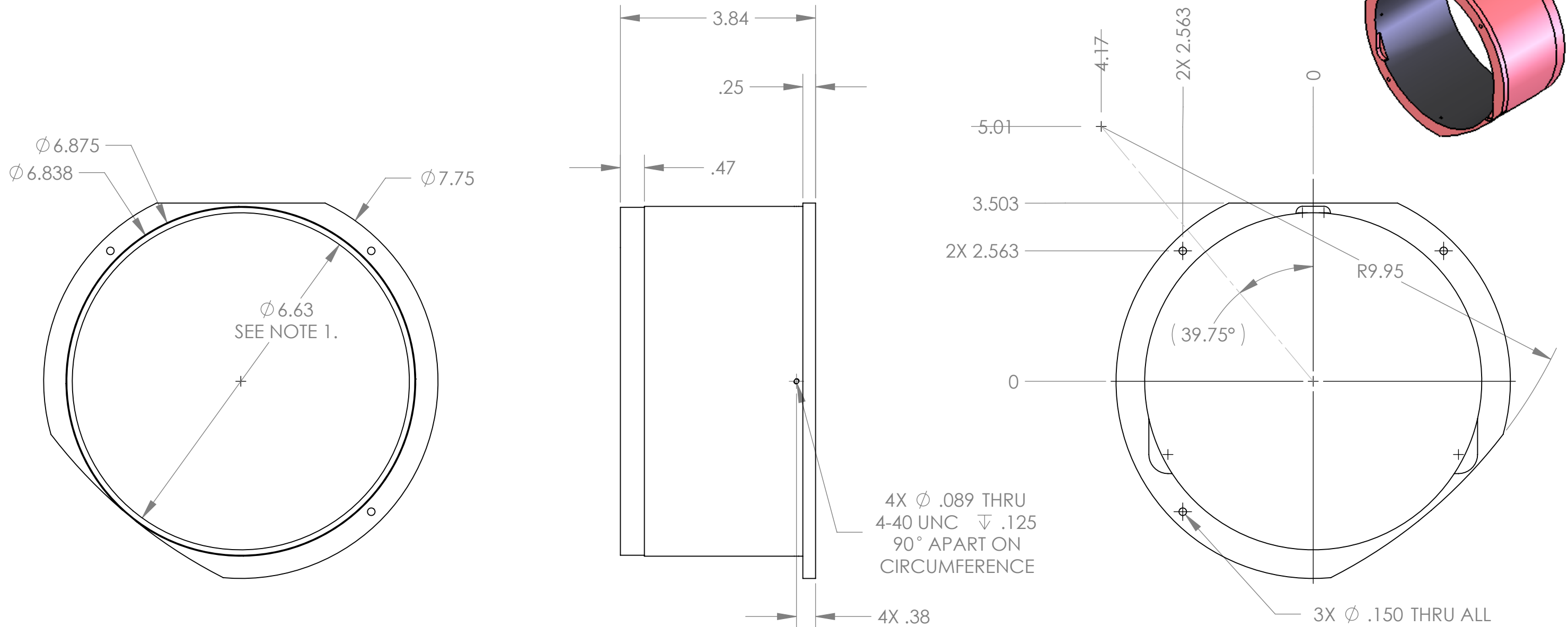


REVISIONS				
ZONE	REV.	DESCRIPTION	DATE	APPROVED
	0	INITIAL RELEASE.	12/11/06	CH
B3	1	ADDED 4X 4-40 TAPPED HOLES ON CIRCUMFERENCE.	06/18/07	CH



NOTES:
 1. MINOR DIAMETER OF 60° SHARP VEE THREAD, .043" PITCH, TAPPED THRU.

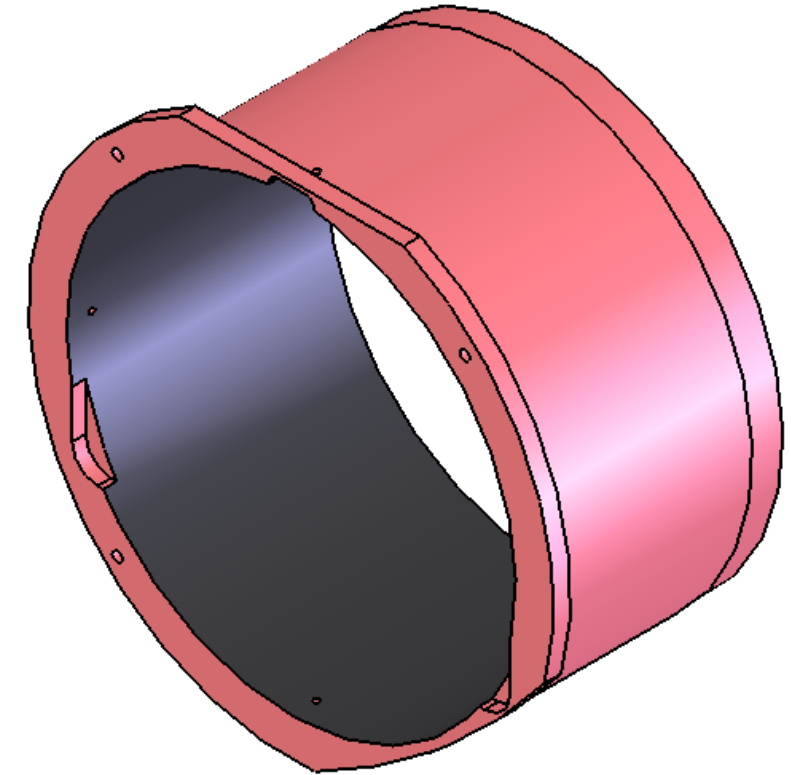
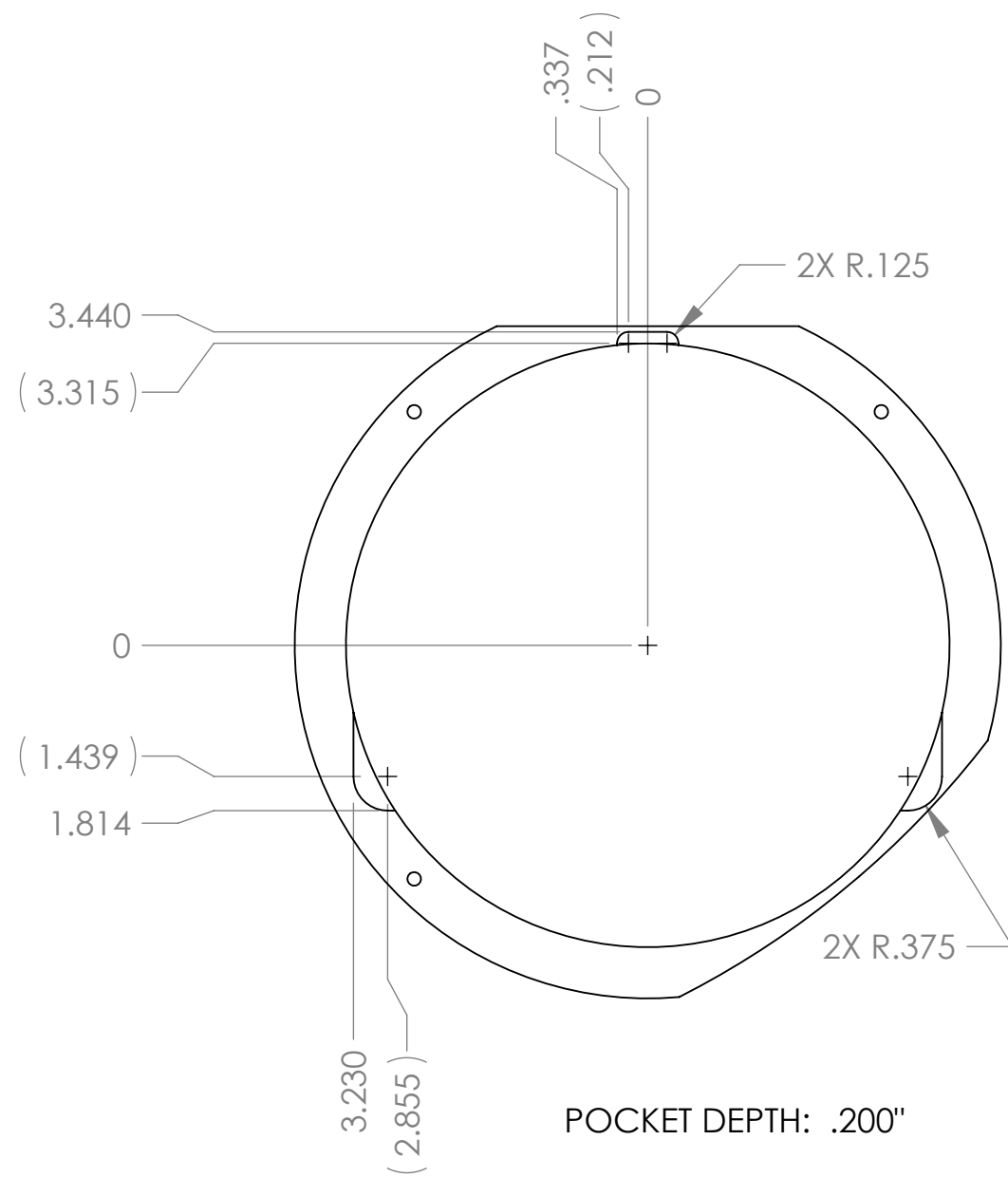
UNLESS OTHERWISE SPECIFIED DIMENSIONS ARE IN INCHES, REMOVE BURS AND BREAK SHARP EDGES 0.005-0.010
 TOLERANCES: .XX±.010 .XXX±.005
 ANGLES ±0.5° UNLESS NOTED,
 ALL SURFACES 64 UNLESS NOTED

MATERIAL: 6061-T6 ALUM
 QTY: 2

NAME: TRIPLESPEC
 DRAWN: SCP
 CHECKED: CH
 APPROVED:
 FABRICATED:

Cornell University
 Center for Radiophysics and Space Research - Ithaca, NY 14853
 TITLE: 4th BAFFLE - with cuts
 SIZE: B DRAWING # TRDOP59A REV 0
 SCALE: 1:2 DATE: 6/18/2007 SHEET 1 OF 2

FILE: TRDOP59A 4th Baffle - with cuts



UNLESS OTHERWISE SPECIFIED DIMENSIONS
ARE IN INCHES, REMOVE BURRS AND
BREAK SHARP EDGES 0.005-0.010

TOLERANCES: .XX±.010 .XXX±.005
ANGLES ±0.5° UNLESS NOTED,
ALL SURFACES 64 UNLESS NOTED

MATERIAL: 6061-T6 ALUM
QTY: 2

NAME: TRIPLESPEC
DRAWN: SCP
CHECKED: CH
APPROVED:
FABRICATED:

INIT. DATE:
SCP 06/18/07
CH 06/18/07

FILE: TRDOP59A 4th Baffle - with cuts

Cornell University
Center for Radiophysics and Space Research - Ithaca, NY 14853

TITLE: 4th BAFFLE
SIZE: B DRAWING # TRDOP59A REV 0
SCALE: 1:2 DATE: 6/18/2007 SHEET 2 OF 2