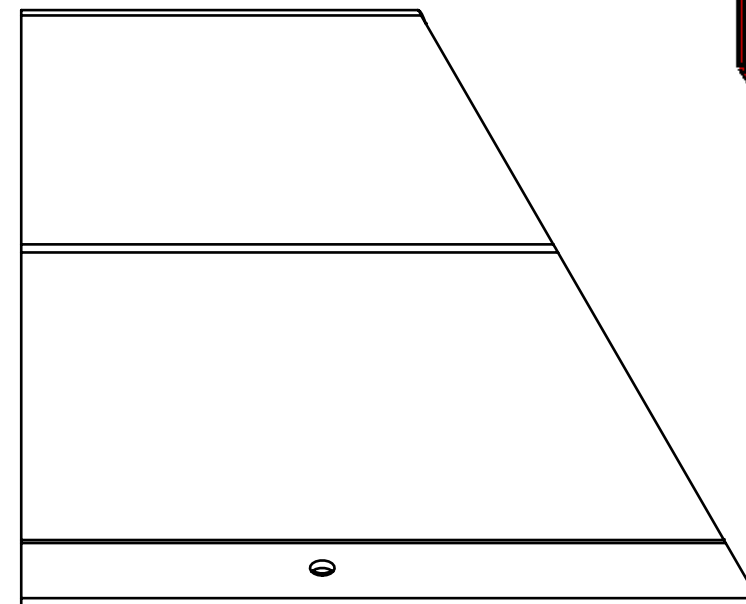
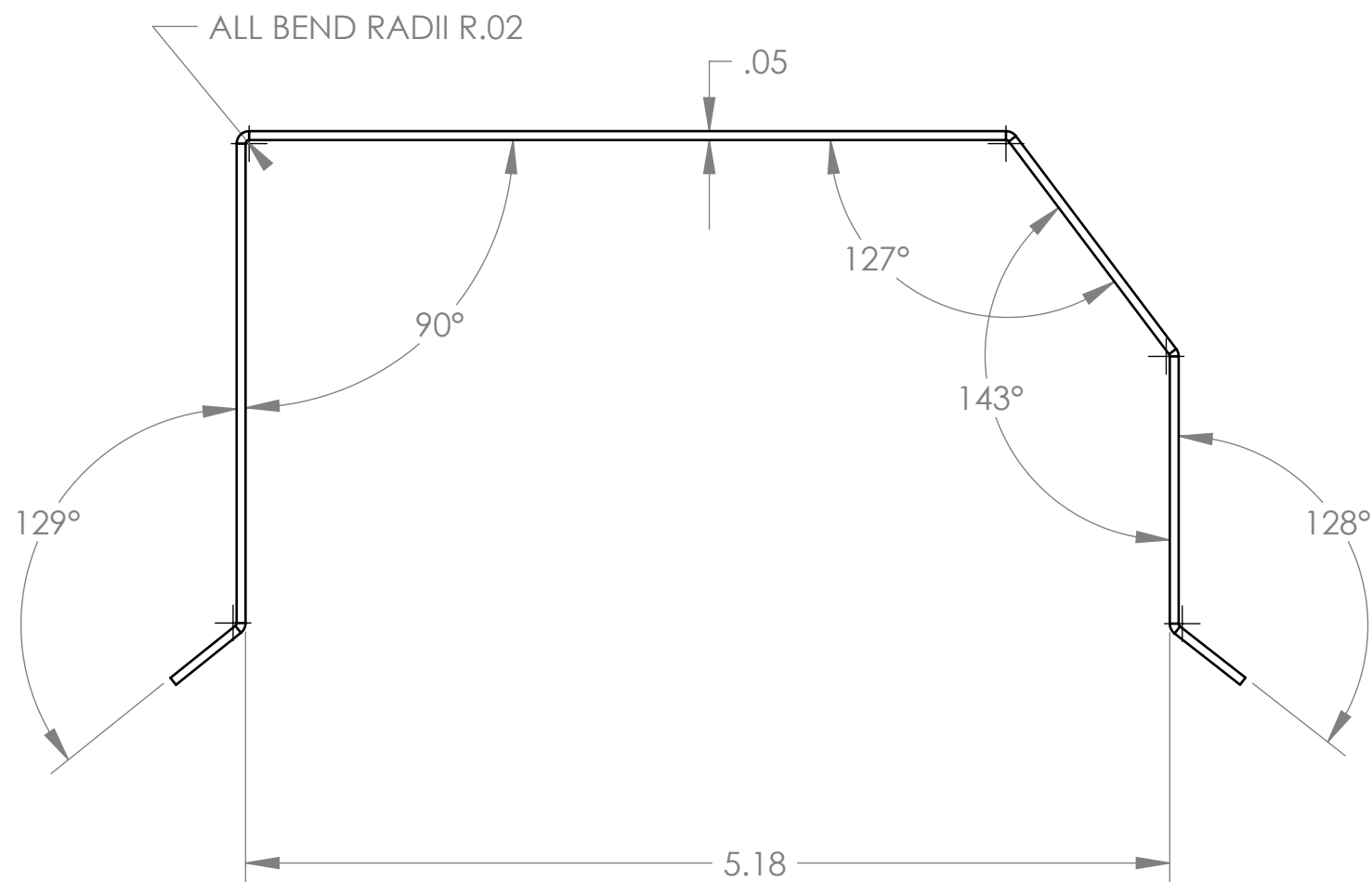
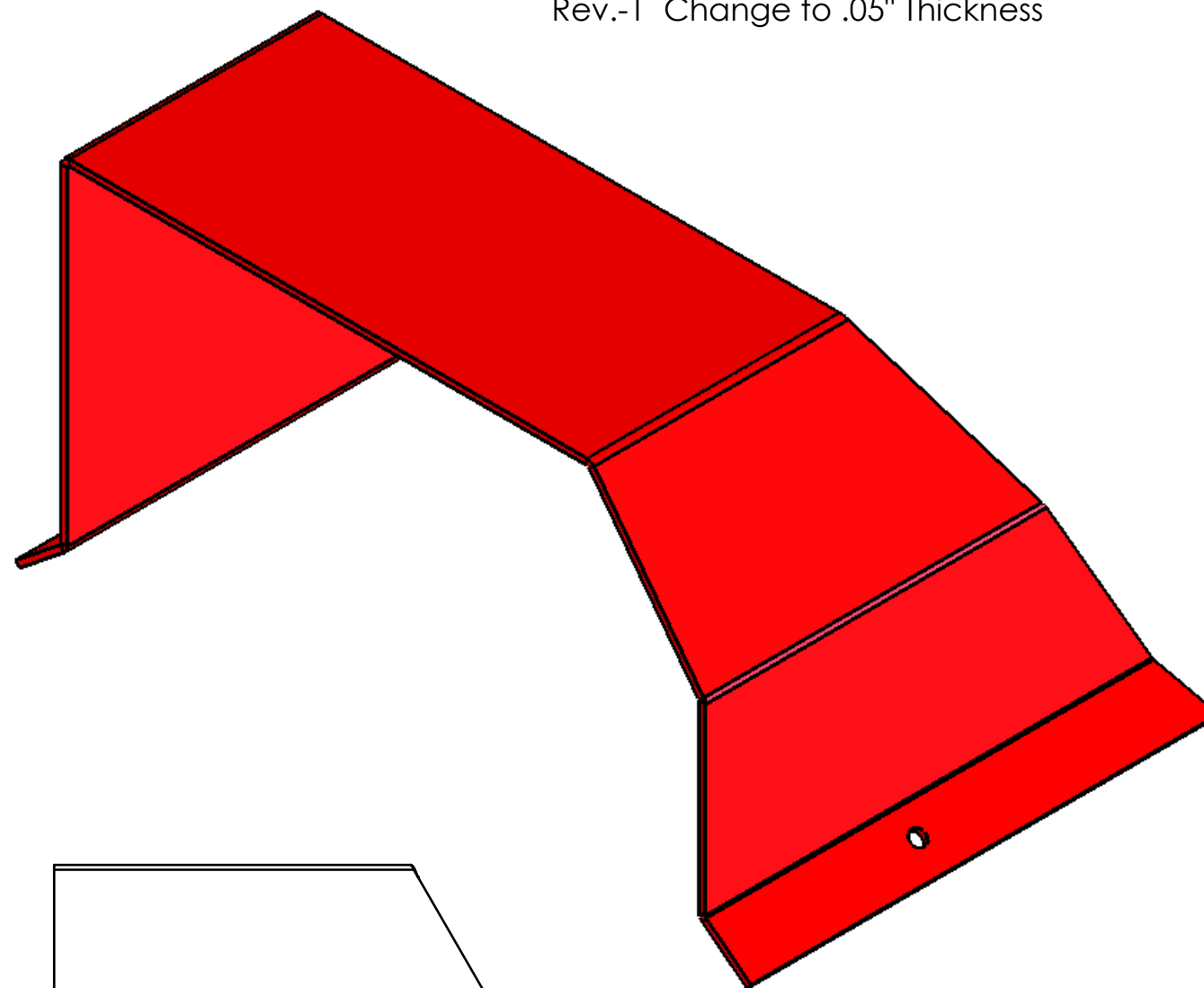
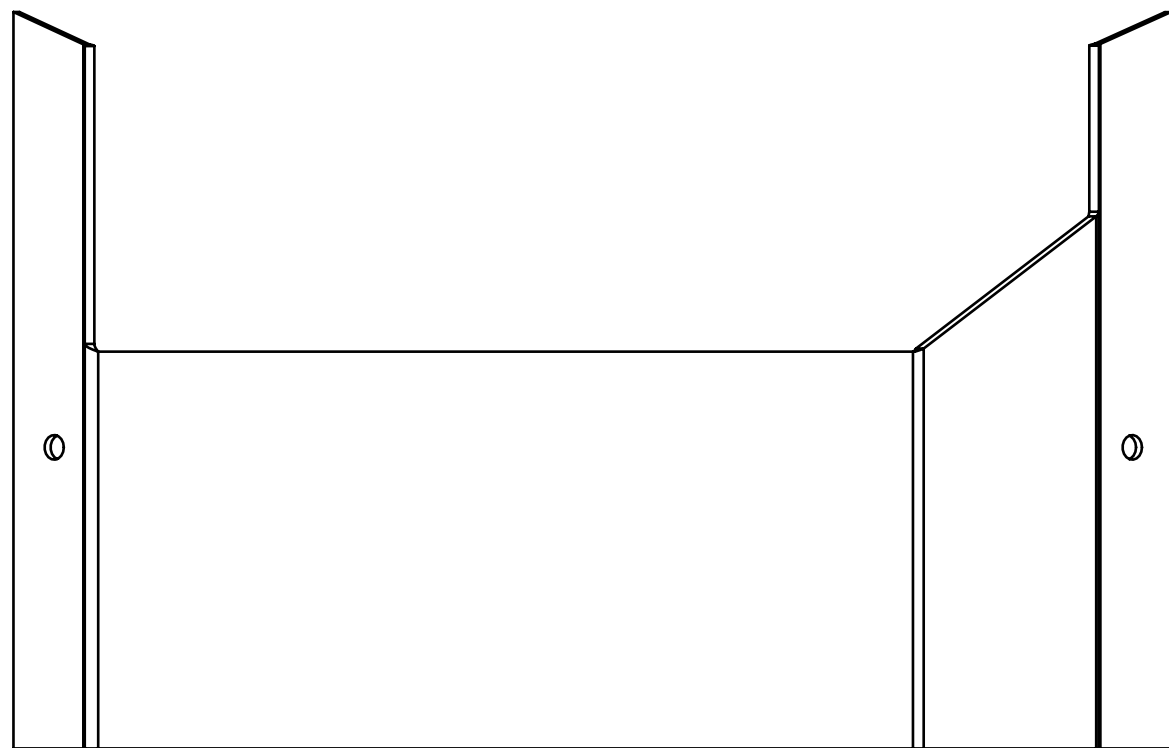


Rev.-1 Change to .05" Thickness



UNLESS OTHERWISE SPECIFIED DIMENSIONS ARE IN INCHES, REMOVE BURS AND BREAK SHARP EDGES 0.005-0.010
 TOLERANCES: .XX±.010 .XXX±.005
 ANGLES ±0.5° UNLESS NOTED,
 ALL SURFACES 64 UNLESS NOTED

MATERIAL: **3003 AL**
QTY: 3



NAME:	INIT.	DATE:
DRAWN:	SCP	11/03/06
CHECKED:	CH	11/03/06
APPROVED:		
FABRICATED:		

TRIPLESPEC

Cornell University
 Center for Radiophysics and Space Research - Ithaca, NY 14853

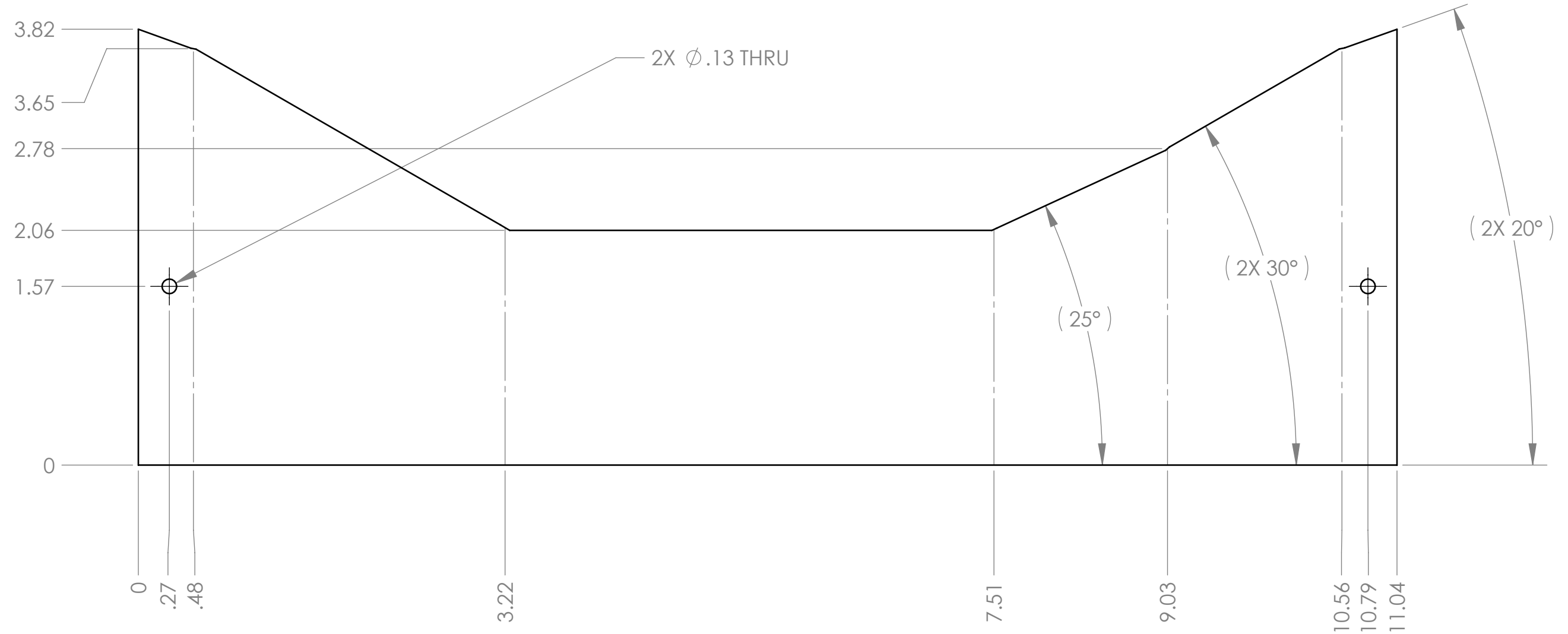
TITLE: **PRISM BOX BAFFLE DR**

SIZE: **B** DRAWING # **TRDOP71** REV **0**

SCALE: 1:1 DATE: 5/21/2007 SHEET 1 OF 2

FILE: TRDOP71 Prism Box Baffle DR

NOTE: USE .05" ALUM SHEET.



UNLESS OTHERWISE SPECIFIED DIMENSIONS ARE IN INCHES, REMOVE BURRS AND BREAK SHARP EDGES 0.005-0.010

TOLERANCES: .XX ± .010 .XXX ± .005
 ANGLES ± 0.5° UNLESS NOTED,
 ALL SURFACES 64 UNLESS NOTED

MATERIAL: **3003 AL**
QTY: 3

TRIPLESPEC

Cornell University
 Center for Radiophysics and Space Research - Ithaca, NY 14853

NAME:	INIT.	DATE:
DRAWN:	SCP	11/03/06
CHECKED:	CH	11/03/06
APPROVED:		
FABRICATED:		

FILE: TRDOP71 Prism Box Baffle DR

TITLE:	PRISM BOX BAFFLE DR	
SIZE:	B	DRAWING # TRDOP71
SCALE:	1:1	REV 0
DATE:	5/21/2007	SHEET 2 OF 2