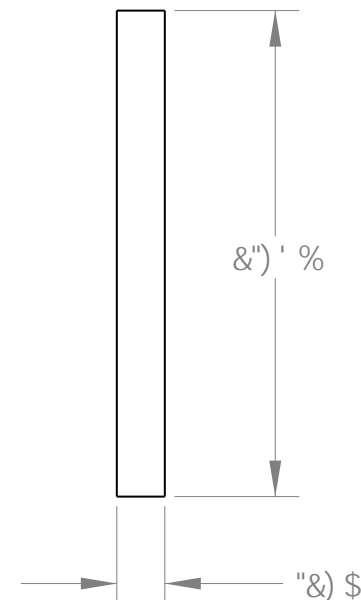
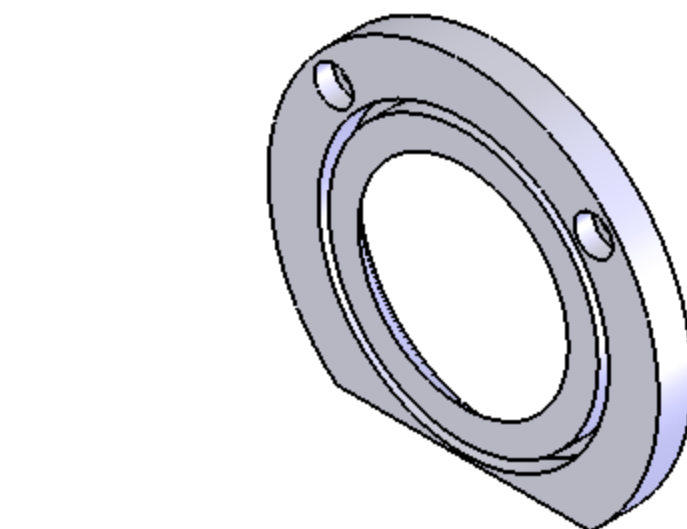
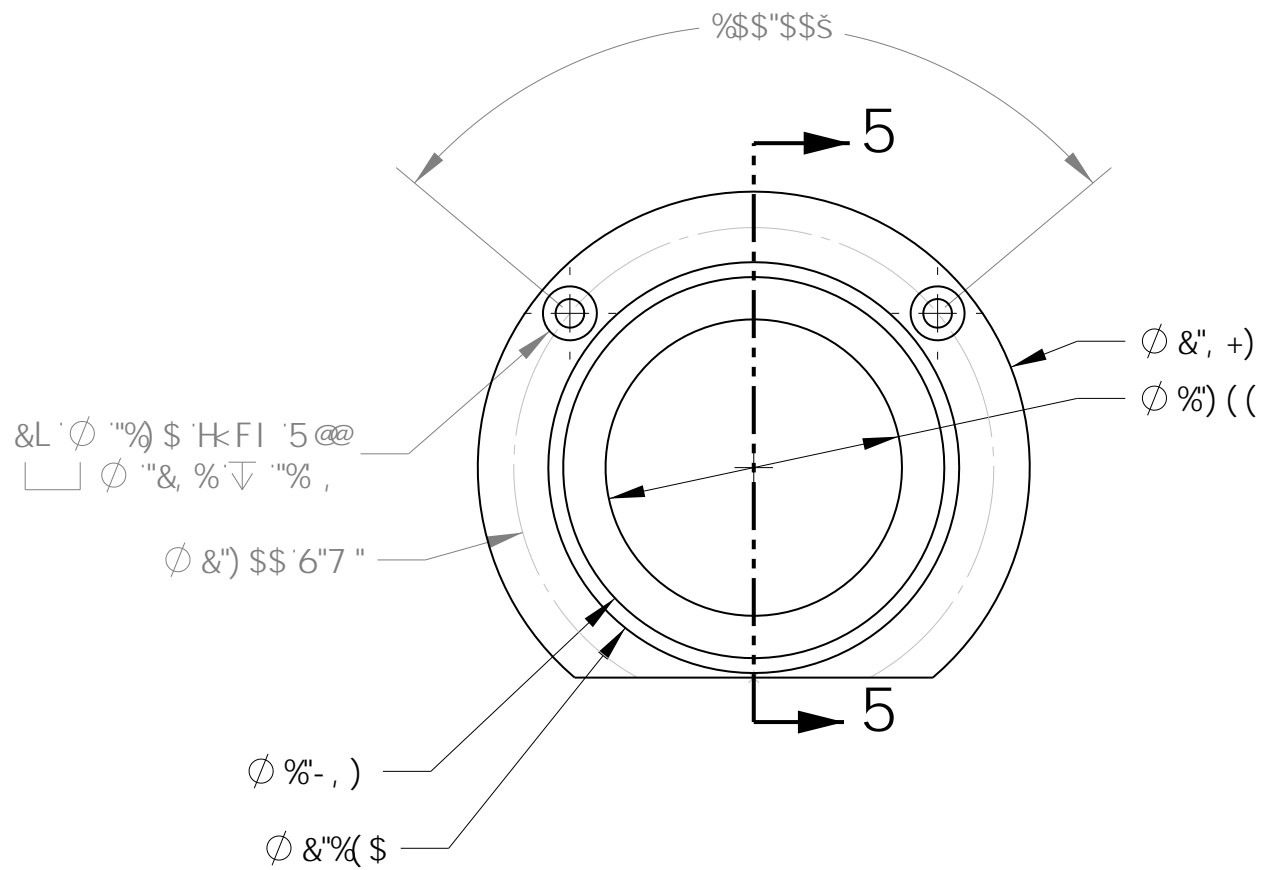


G97 HC B '5!5



I B@9GCH:9FK 49 CD97 + 98 8 A 9BGC BG 5F9 B B7 < 9G2F9A CJ 9 6I FG5B8 6F95? G<5FD98: 9G\$'\$S) IS'\$S%\$		B5A 9. B#H 85H9.		HF D@9GD97		Eqtpgm'Wpkgtukv Egpvt'hqt'Tcflqrj { ueu'cpf 'Urceg'Tgugctej ' /'Kj cec.'P['36: 75	
HC @F5B7 9G "LL±"S%" "LLL±"SS) 5B: @9G±S)" I B@9GBC H98 2 5@@Q F: 57 9G*("I B@9GBC H98		8F5K B. G7 D %&#S(#S* 7 < 97 ? 98. 7 < 7 < %b/#S*		H#09. G@H8 ÷: F57 HC B '65:: @9		GAN. 6 8F5K B: F9J \$	
A 5H9F 5@ * \$*%H* '5@ A E HM'		5DDFC J 98. : 56F 7 5H98.		G7 5 @. %%%		85H9. %b/#&\$\$* G< 99H% C: %	
		: @9. HF8C D, ' Gjh8ZUWHicb 6UZY					