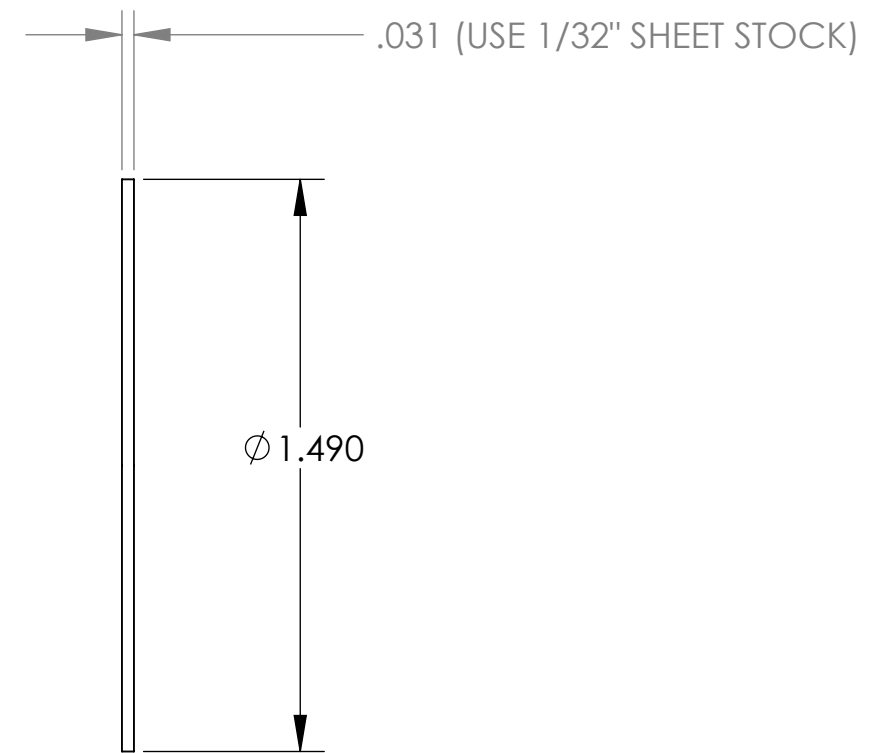
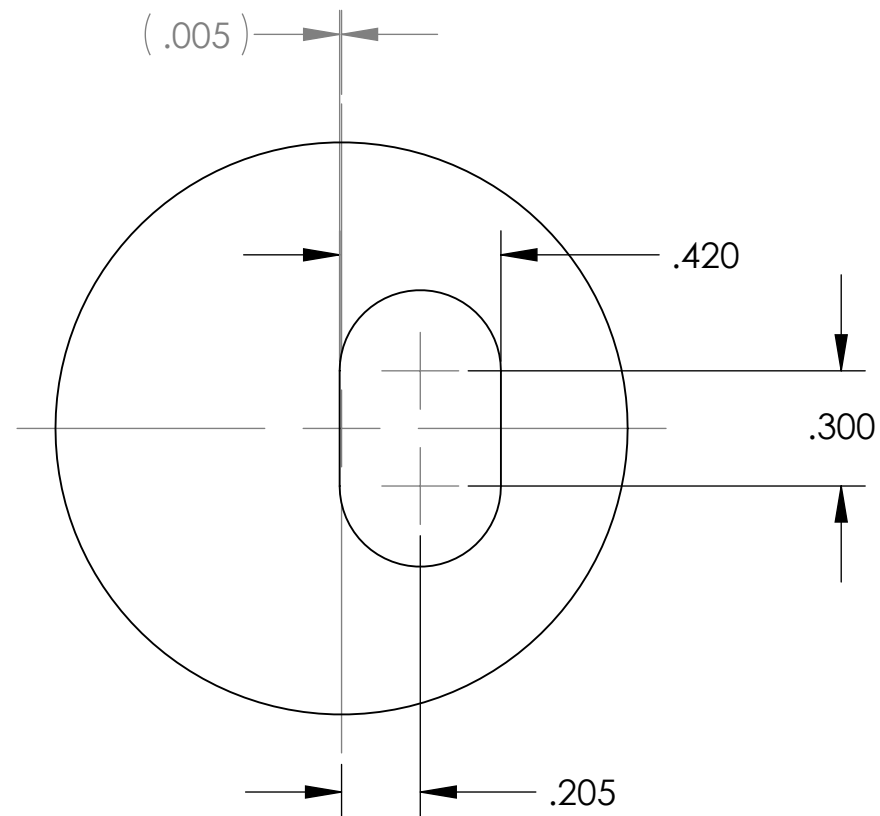
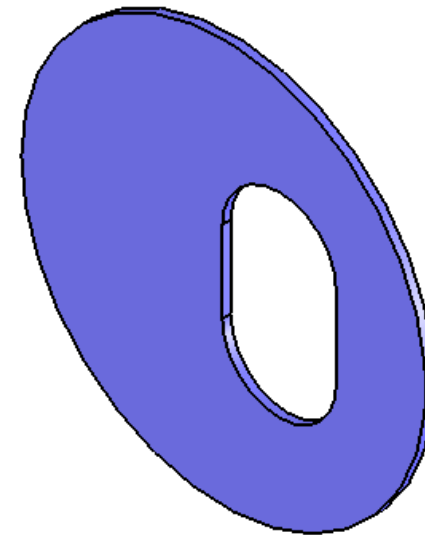


REVISIONS				
ZONE	REV.	DESCRIPTION	DATE	APPROVED
	0	INITIAL RELEASE.	05/15/07	JCW



UNLESS OTHERWISE SPECIFIED DIMENSIONS ARE IN INCHES, REMOVE BURS AND BREAK SHARP EDGES 0.005-0.010

TOLERANCES: .XX±.010 .XXX±.005
 ANGLES ±0.5° UNLESS NOTED,
 ALL SURFACES 64 UNLESS NOTED

MATERIAL: 6061-T6 ALUM
 QTY: 3



TRIPLESPEC

Cornell University
 Center for Radiophysics and Space Research - Ithaca, NY 14853

NAME:	INIT.	DATE:
DRAWN:	SCP	05/09/07
CHECKED:	JCW	05/15/07
APPROVED:		
FABRICATED:		
FILE: TRDOP96A SBB Upstream Plate		

TITLE:	SBB UPSTREAM PLATE		
SIZE:	B	DRAWING #	TRDOP96A
REV	0	DATE:	5/21/2007
SHEET 1 OF 1	SCALE: 2:1		