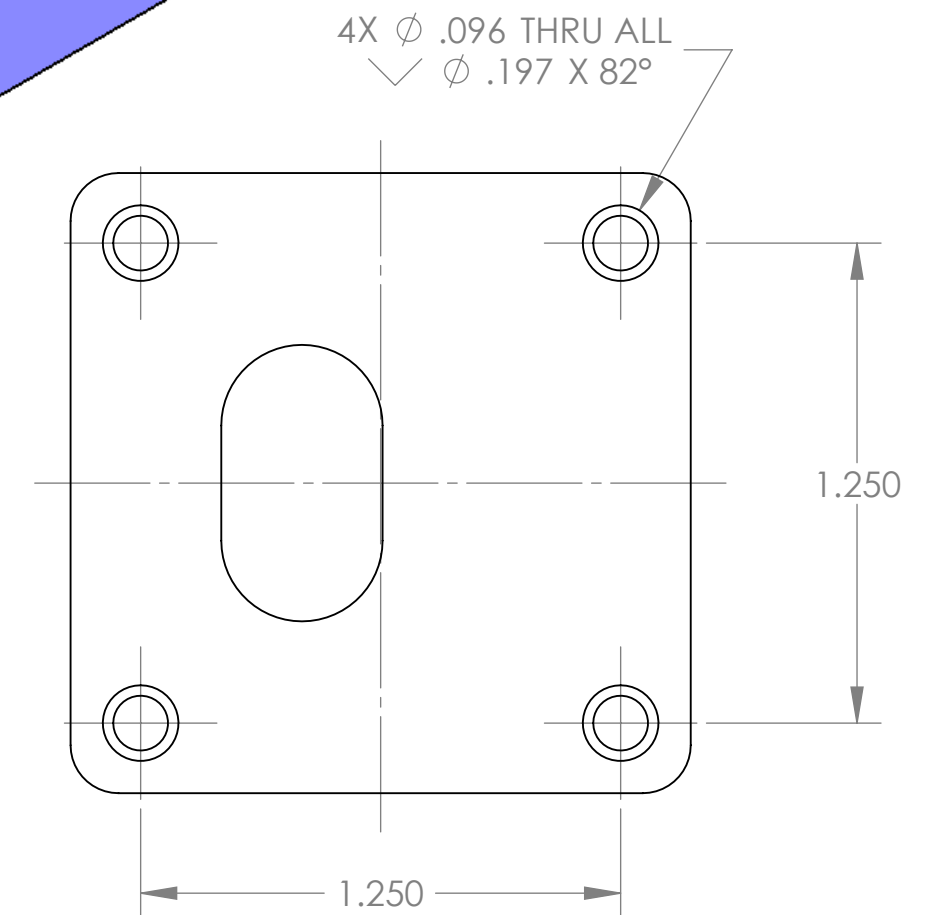
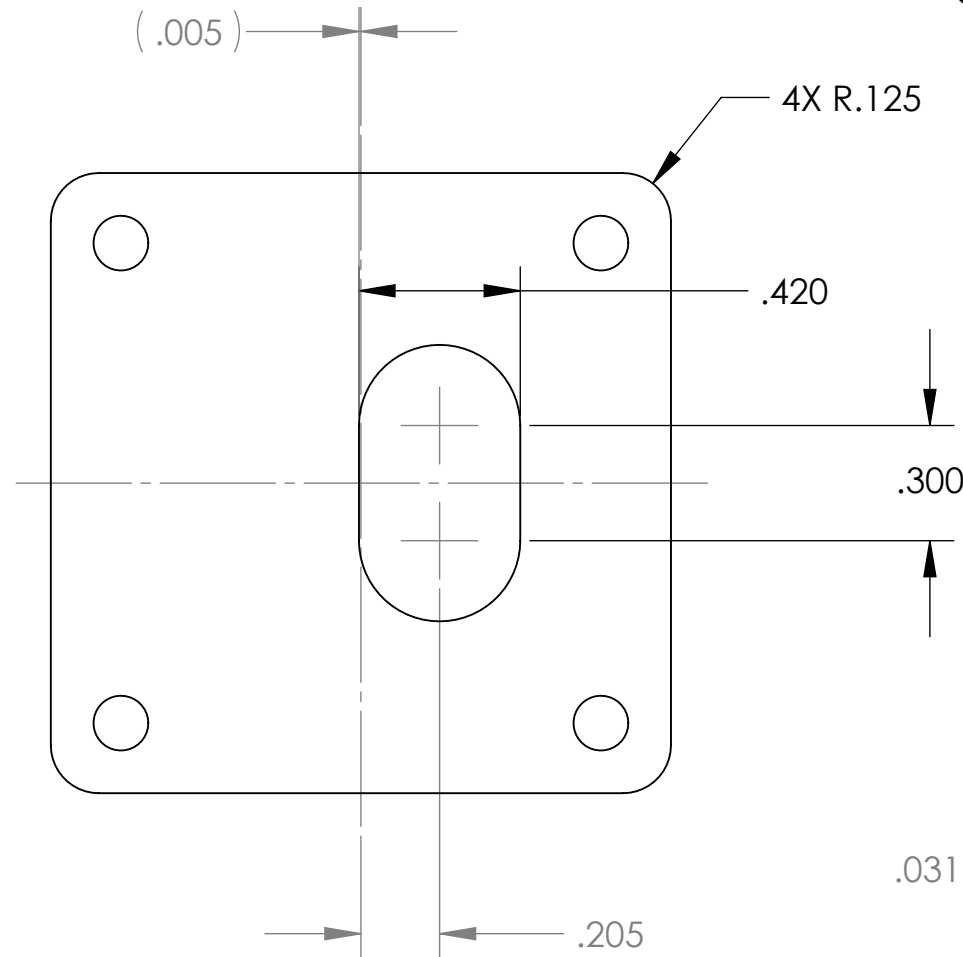
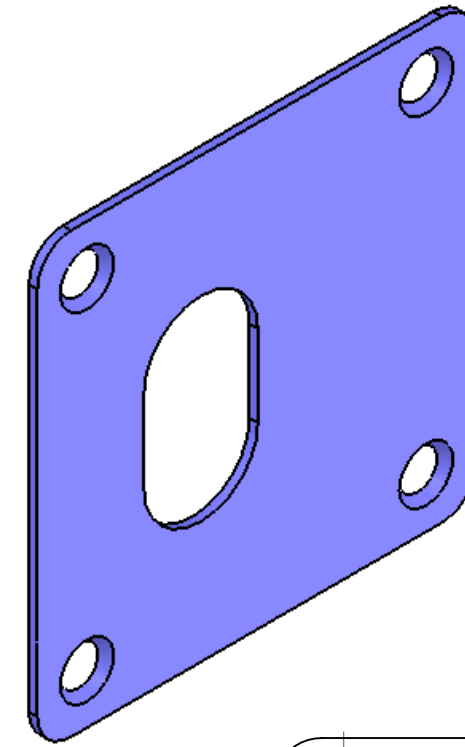
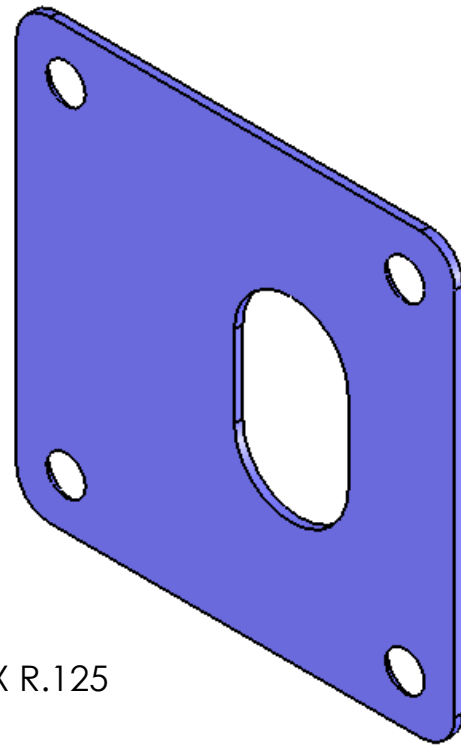


REVISIONS				
ZONE	REV.	DESCRIPTION	DATE	APPROVED
	0	INITIAL RELEASE.	05/15/07	JCW



UNLESS OTHERWISE SPECIFIED DIMENSIONS
 ARE IN INCHES, REMOVE BURRS AND
 BREAK SHARP EDGES 0.005-0.010
 TOLERANCES: .XX \pm .010 .XXX \pm .005
 ANGLES \pm 0.5° UNLESS NOTED,
 ALL SURFACES 64 UNLESS NOTED
 MATERIAL: 6061-T6 ALUM
 QTY: 3



NAME: _____ INIT. _____ DATE: 05/09/07
 DRAWN: _____ SCP 05/09/07
 CHECKED: _____ JCW 05/15/07
 APPROVED: _____
 FABRICATED: _____

TRIPLESPEC

Cornell University
 Center for Radiophysics and Space Research - Ithaca, NY 14853

TITLE: SBB DOWNSTREAM PLATE
 SIZE: B DRAWING # TRDOP96B REV 0
 SCALE: 2:1 DATE: 5/21/2007 SHEET 1 OF 1