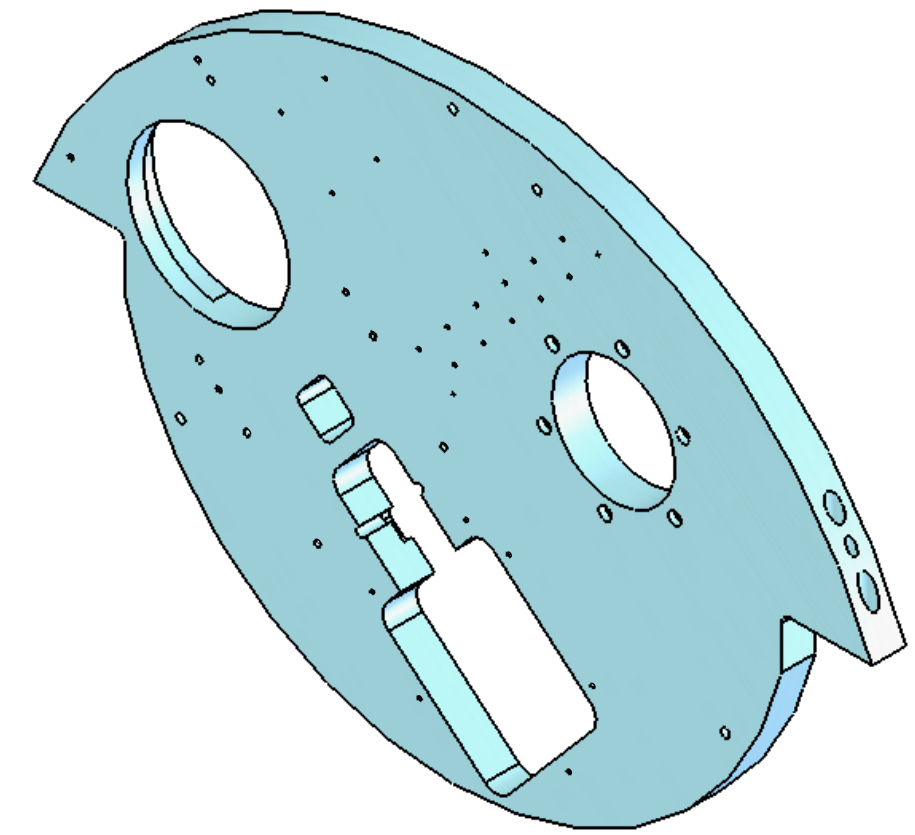
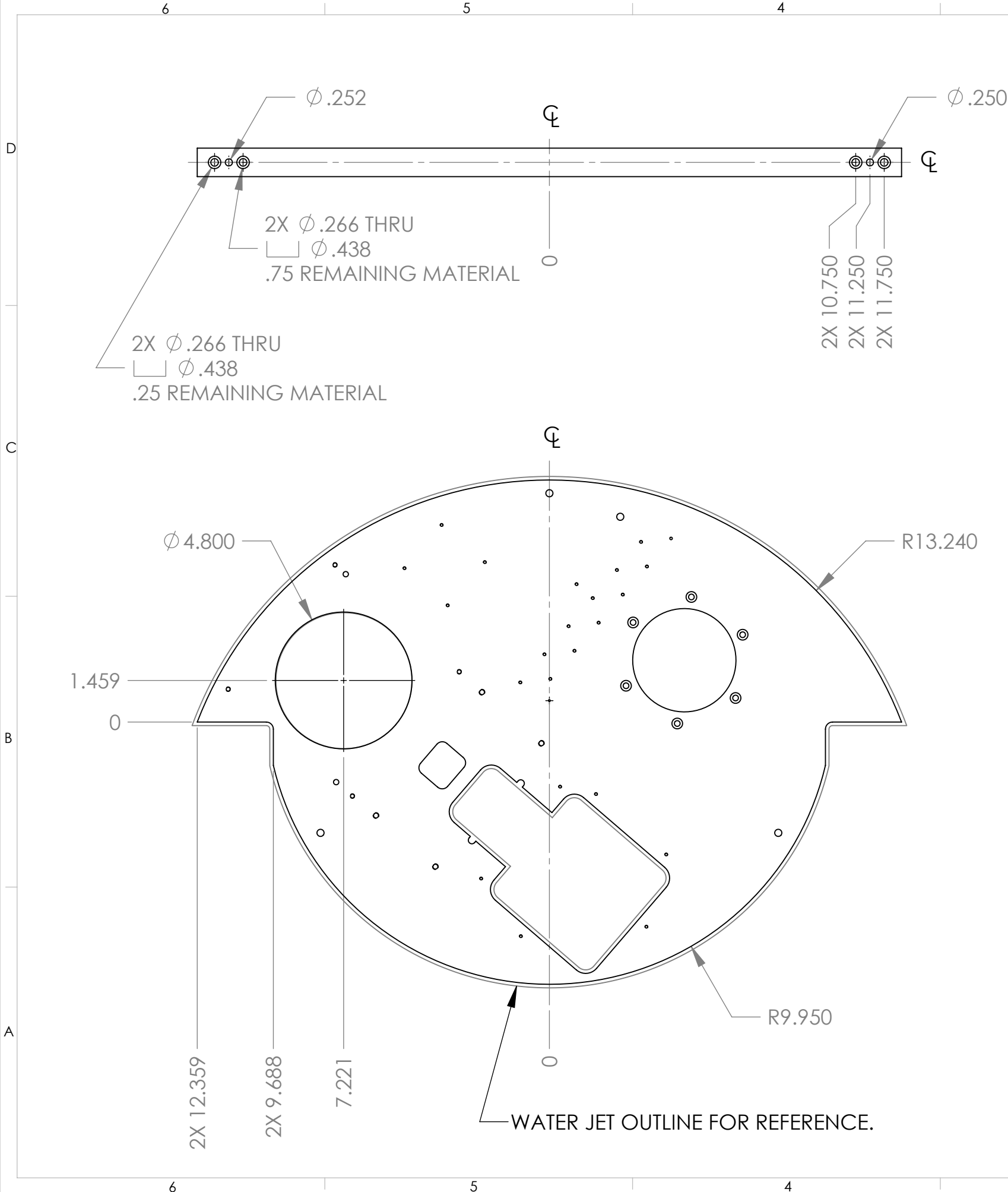


| REVISIONS | | | | |
|-----------|------|---|----------|----------|
| ZONE | REV. | DESCRIPTION | DATE | APPROVED |
| | 0 | INITIAL RELEASE. | 02/16/07 | CH |
| | 1 | CHANGED SHEET 2 TO HOLE TABLE. ADDED SHEET 3 & 4. | 03/13/07 | CH |



UNLESS OTHERWISE SPECIFIED DIMENSIONS ARE IN INCHES, REMOVE BURRS AND BREAK SHARP EDGES 0.005-0.010

TOLERANCES: .XX \pm .010 .XXX \pm .005
 ANGLES \pm 0.5° UNLESS NOTED,
 ALL SURFACES 64 UNLESS NOTED

MATERIAL: **6061-T6 ALUM**
QTY: 1

TRIPLESPEC

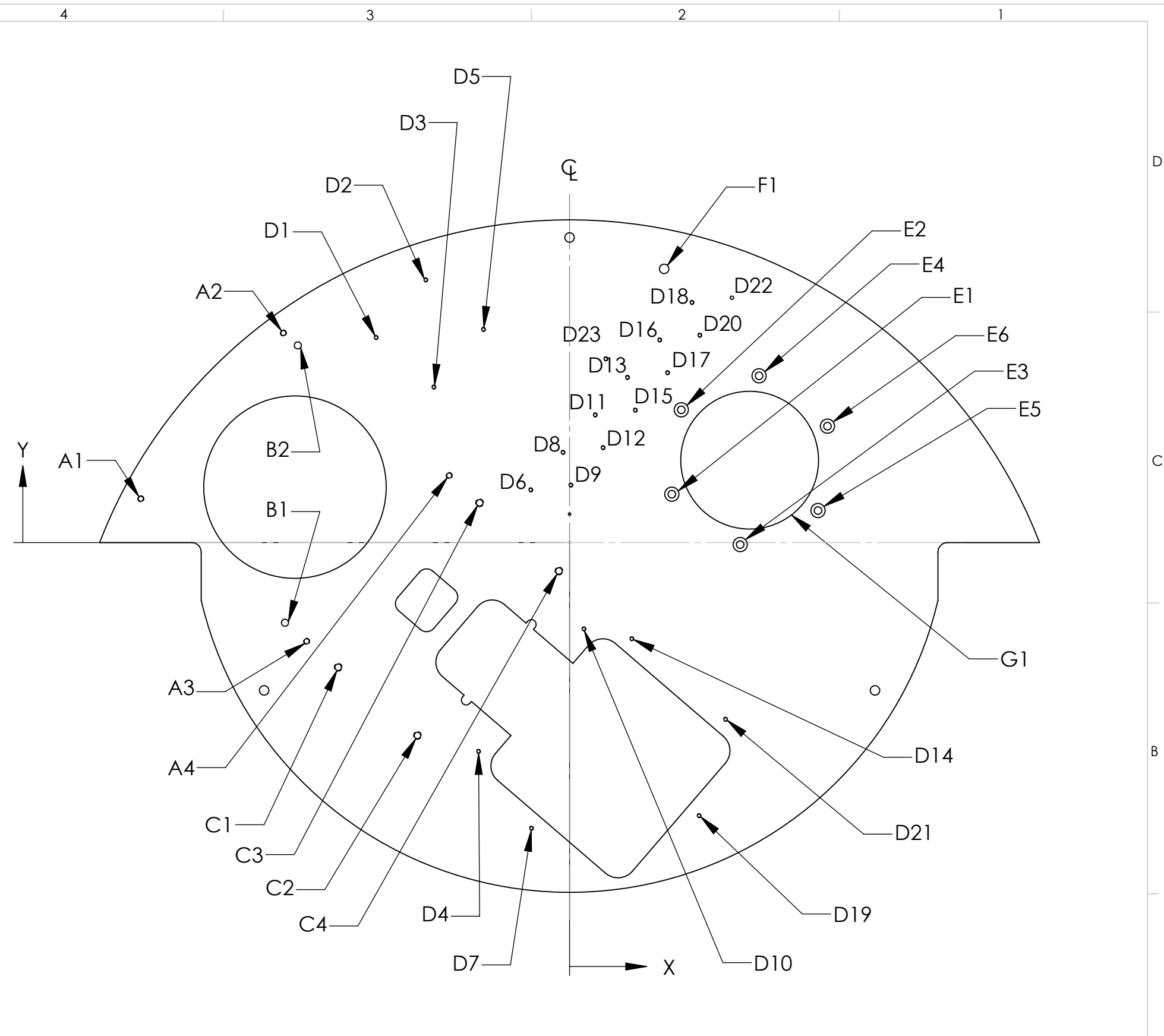
Cornell University
 Center for Radiophysics and Space Research - Ithaca, NY 14853

NAME: _____ INIT. _____ DATE: _____
 DRAWN: SCP SCP 03/13/07 TITLE: **2nd BULKHEAD, APO**
 CHECKED: CH CH 03/14/07
 APPROVED: _____
 FABRICATED: _____

SIZE: **B** DRAWING # TRDOP01A REV **1**
 SCALE: 1:4 DATE: 3/14/2007 SHEET 1 OF 4

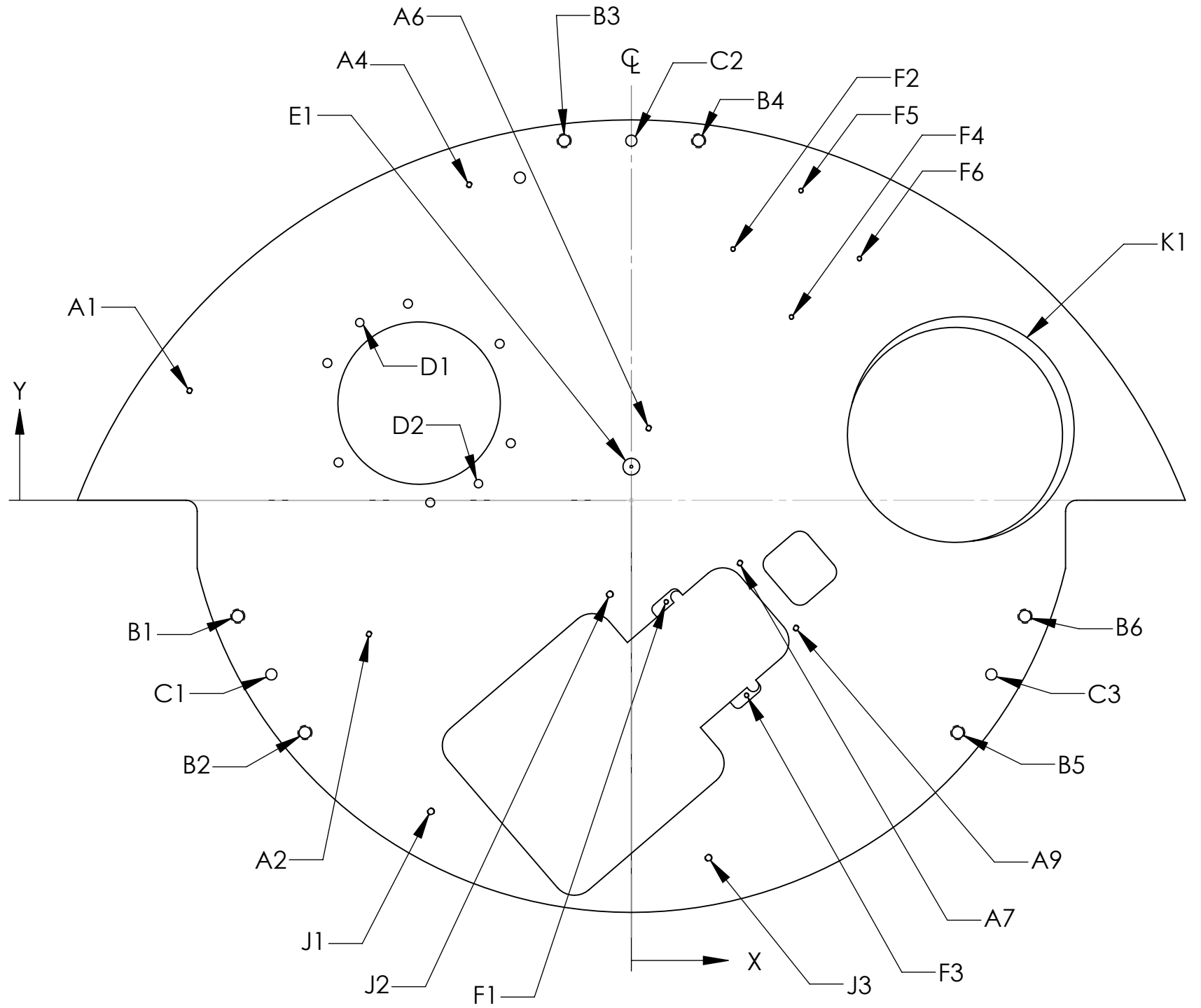
FILE: TRDOP01A 2ND BULKHEAD, APO

| HOLE TABLE | | | SIZE |
|------------|---------|--------|--|
| TAG | X LOC | Y LOC | |
| A1 | -11.274 | 1.152 | ϕ .136 ∇ .422 8-32 UNC ∇ .328 |
| A2 | -7.526 | 5.512 | |
| A3 | -6.914 | -2.596 | |
| A4 | -3.166 | 1.764 | |
| B1 | -7.483 | -2.107 | ϕ .188 ∇ .150 |
| B2 | -7.146 | 5.186 | |
| C1 | -6.085 | -3.280 | ϕ .173 ∇ .611 TAP FOR #8-32 HELICOIL INSERT = 2.0 * DIA. |
| C2 | -4.000 | -5.073 | |
| C3 | -2.365 | 1.046 | |
| C4 | -.280 | -.747 | |
| D1 | -5.087 | 5.394 | ϕ .089 ∇ .299 4-40 UNC ∇ .224 |
| D2 | -3.783 | 6.910 | |
| D3 | -3.570 | 4.090 | |
| D4 | -2.396 | -5.492 | |
| D5 | -2.267 | 5.606 | |
| D6 | -1.022 | 1.387 | |
| D7 | -1.003 | -7.514 | |
| D8 | -.174 | 2.373 | |
| D9 | .032 | 1.511 | |
| D10 | .375 | -2.270 | |
| D11 | .673 | 3.359 | |
| D12 | .880 | 2.497 | |
| D13 | 1.521 | 4.344 | |
| D14 | 1.635 | -2.529 | |
| D15 | 1.727 | 3.482 | |
| D16 | 2.368 | 5.330 | |
| D17 | 2.575 | 4.468 | |
| D18 | 3.216 | 6.316 | |
| D19 | 3.404 | -7.182 | |
| D20 | 3.422 | 5.454 | |
| D21 | 4.099 | -4.648 | |
| D22 | 4.270 | 6.440 | |
| D23 | .952 | 4.833 | |
| E1 | 2.689 | 1.273 | ϕ .201 THRU ALL \square ϕ .375 ∇ .190 |
| E2 | 2.938 | 3.492 | |
| E3 | 4.487 | -.052 | |
| E4 | 4.984 | 4.387 | |
| E5 | 6.534 | .843 | |
| E6 | 6.782 | 3.063 | |
| F1 | 2.488 | 7.200 | ϕ .25 THRU ϕ 3.63 |
| G1 | 4.736 | 2.168 | |



| | | | | | |
|--|--|--|--|--|---------------------------------------|
| UNLESS OTHERWISE SPECIFIED DIMENSIONS ARE IN INCHES, REMOVE BURS AND BREAK SHARP EDGES 0.005-0.010 | | | | Cornell University Center for Radiophysics and Space Research - Ithaca, NY 14853 | |
| TOLERANCES: .XX±.010 .XXX±.005 ANGLES ±0.5° UNLESS NOTED, ALL SURFACES 64 UNLESS NOTED | | | | TRIPLESPEC | |
| MATERIAL: 6061-T6 ALUM QTY: 1 | | NAME: SCP DRAWN: SCP CHECKED: CH APPROVED: FABRICATED: | INIT: CH DATE: 03/13/07 DATE: 03/14/07 | TITLE: 2nd BULKHEAD, APO SIZE: B SCALE: 1:3 | DRAWING # TRDOP01A DATE: 3/14/2007 |
| | | FILE: TRDOP01A 2ND BULKHEAD, APO | | REV 1 SHEET 2 OF 4 | |

| HOLE TABLE | | | |
|------------|--------|--------|---|
| TAG | X LOC | Y LOC | SIZE |
| A1 | -9.858 | 2.446 | ϕ .107 ∇ .370 6-32 UNC ∇ .276 |
| A2 | -5.854 | -2.988 | |
| A4 | -3.618 | 7.043 | |
| A6 | .385 | 1.609 | |
| A7 | 2.422 | -1.403 | |
| A9 | 3.673 | -2.853 | |
| B1 | -8.782 | -2.588 | ϕ .266 ∇ .675 TAP FOR 1/4-20 HELICOIL INSERT = 1.0 * DIA. |
| B2 | -7.282 | -5.187 | |
| B3 | -1.500 | 8.025 | |
| B4 | 1.500 | 8.025 | |
| B5 | 7.282 | -5.187 | |
| B6 | 8.782 | -2.588 | |
| C1 | -8.032 | -3.887 | ϕ .251 THRU ALL |
| C2 | .000 | 8.025 | |
| C3 | 8.032 | -3.887 | |
| D1 | -6.060 | 3.966 | ϕ .188 ∇ .280 |
| D2 | -3.411 | .370 | |
| E1 | .000 | .750 | ϕ .063 THRU ϕ .375 ∇ .875 |
| F1 | .776 | -2.269 | |
| F2 | 2.267 | 5.606 | ϕ .089 ∇ .299 4-40 UNC ∇ .224 |
| F3 | 2.569 | -4.354 | |
| F4 | 3.570 | 4.090 | |
| F5 | 3.783 | 6.910 | |
| F6 | 5.087 | 5.394 | |
| J1 | -4.472 | -6.947 | |
| J2 | -.480 | -2.101 | ϕ .136 ∇ .422 8-32 UNC ∇ .328 |
| J3 | 1.721 | -7.981 | |
| K1 | 7.370 | 1.587 | |
| | | | R2.51 ∇ .50 |



UNLESS OTHERWISE SPECIFIED DIMENSIONS ARE IN INCHES, REMOVE BURS AND BREAK SHARP EDGES 0.005-0.010

TOLERANCES: .XX \pm .010 .XXX \pm .005
 ANGLES \pm 0.5° UNLESS NOTED,
 ALL SURFACES 64 UNLESS NOTED

MATERIAL: 6061-T6 ALUM
 QTY: 1

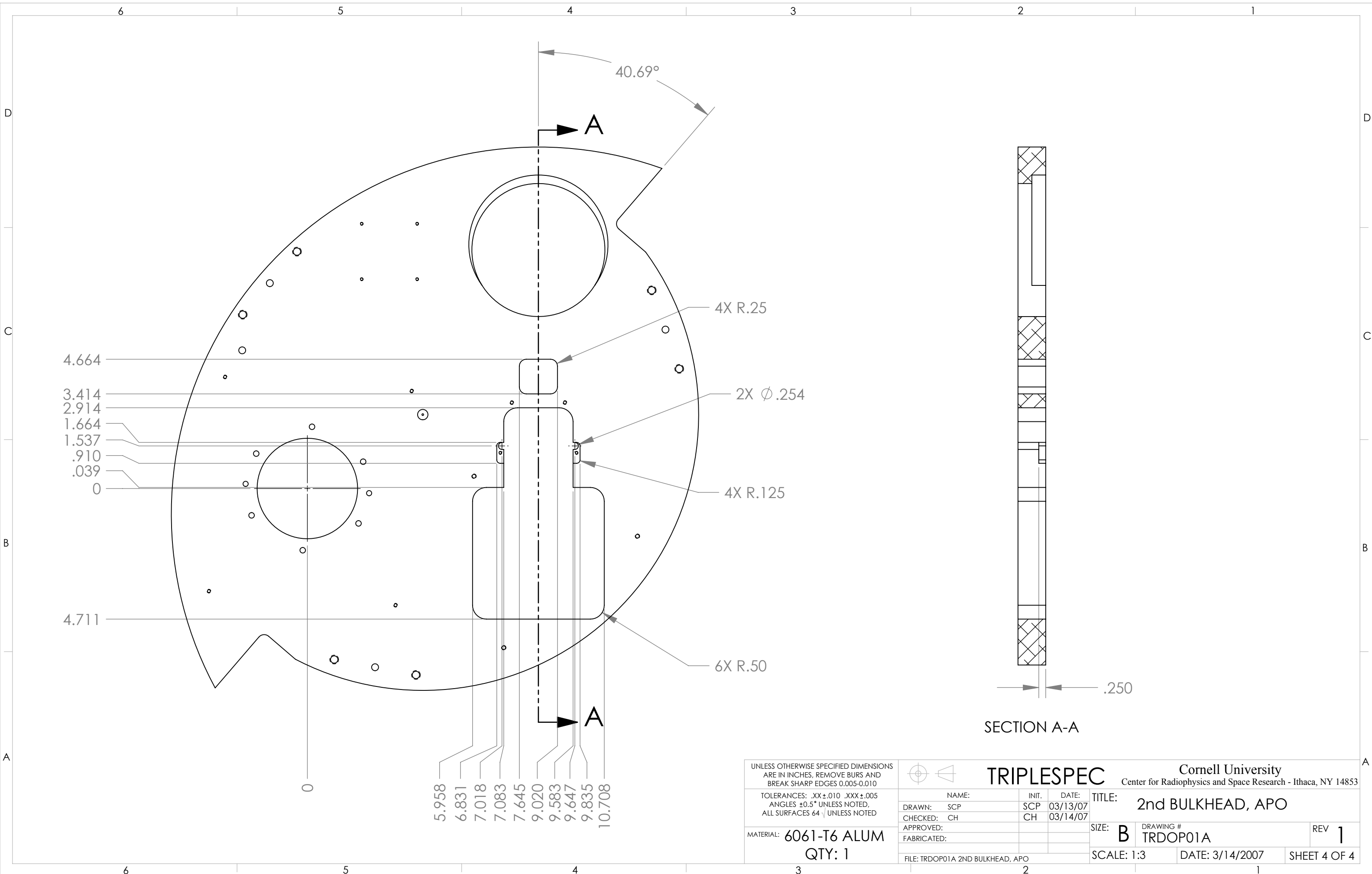
TRIPLESPEC

Cornell University
 Center for Radiophysics and Space Research - Ithaca, NY 14853

| | | | |
|-------------|-------|----------|-------------------|
| NAME: | INIT: | DATE: | TITLE: |
| DRAWN: SCP | SCP | 03/13/07 | 2nd BULKHEAD, APO |
| CHECKED: CH | CH | 03/14/07 | |
| APPROVED: | | | |
| FABRICATED: | | | |

FILE: TRDOP01A 2ND BULKHEAD, APO

| | | |
|------------|--------------------|--------------|
| SIZE: B | DRAWING # TRDOP01A | REV 1 |
| SCALE: 1:3 | DATE: 3/14/2007 | SHEET 3 OF 4 |



4.664
3.414
2.914
1.664
1.537
.910
.039
0

4.711

5.958
6.831
7.018
7.083
7.645
9.020
9.583
9.647
9.835
10.708

40.69°

A

A

4X R.25

2X Ø.254

4X R.125

6X R.50

.250

SECTION A-A

UNLESS OTHERWISE SPECIFIED DIMENSIONS
ARE IN INCHES, REMOVE BURRS AND
BREAK SHARP EDGES 0.005-0.010

TOLERANCES: .XX±.010 .XXX±.005
ANGLES ±0.5° UNLESS NOTED,
ALL SURFACES 64 UNLESS NOTED

MATERIAL: 6061-T6 ALUM
QTY: 1

| | | |
|----------------------------------|-------|----------|
| NAME: | INIT. | DATE: |
| DRAWN: SCP | SCP | 03/13/07 |
| CHECKED: CH | CH | 03/14/07 |
| APPROVED: | | |
| FABRICATED: | | |
| FILE: TRDOP01A 2ND BULKHEAD, APO | | |

TRIPLESPEC Cornell University
Center for Radiophysics and Space Research - Ithaca, NY 14853

TITLE: 2nd BULKHEAD, APO

SIZE: B DRAWING #: TRDOP01A REV 1

SCALE: 1:3 DATE: 3/14/2007 SHEET 4 OF 4