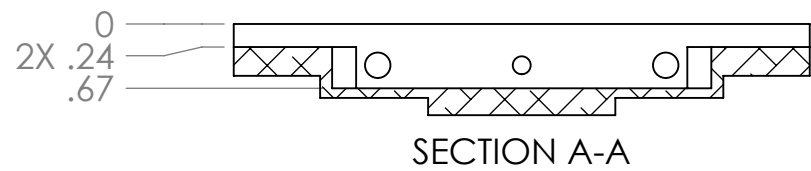
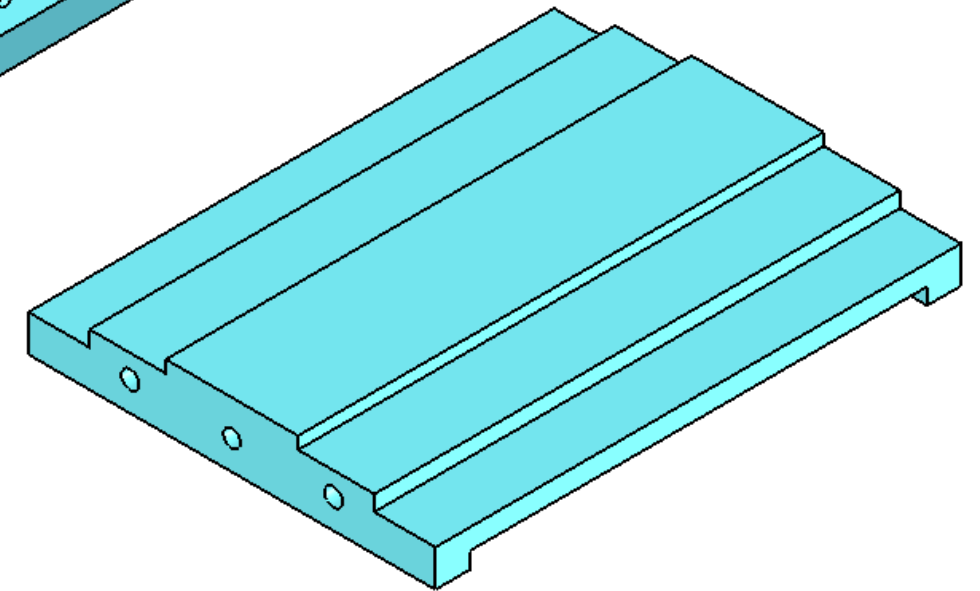
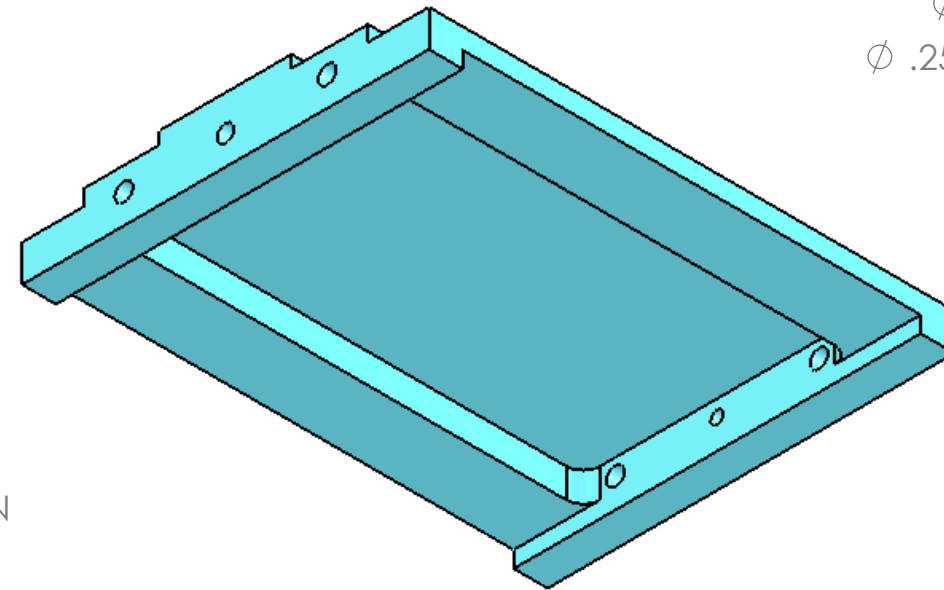
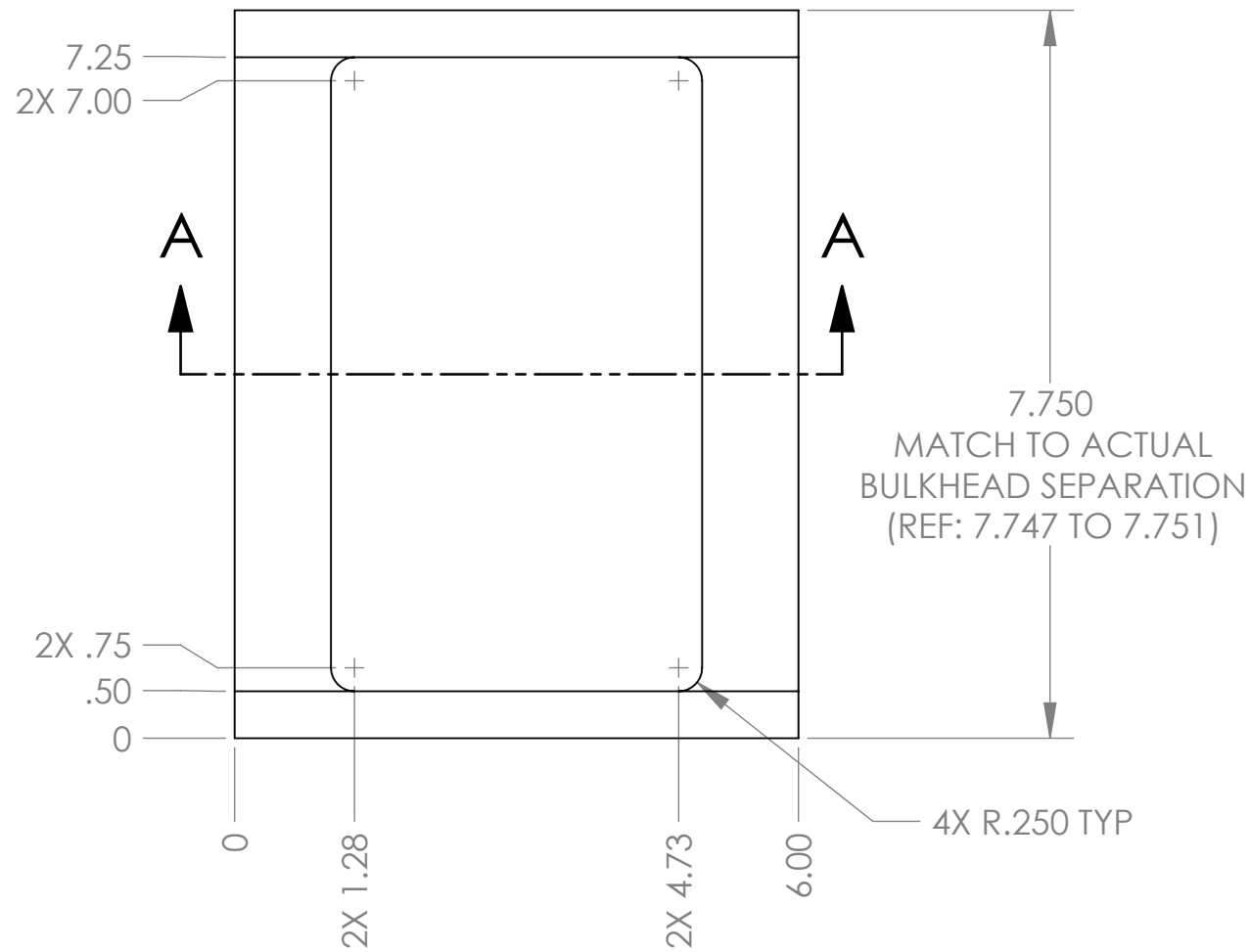
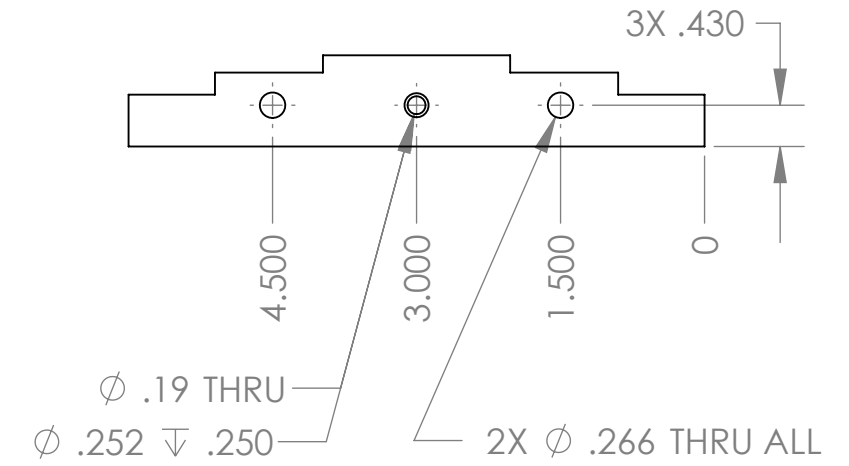
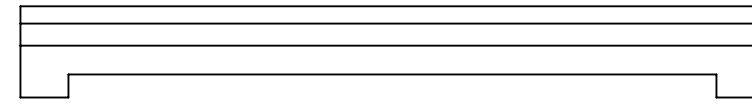
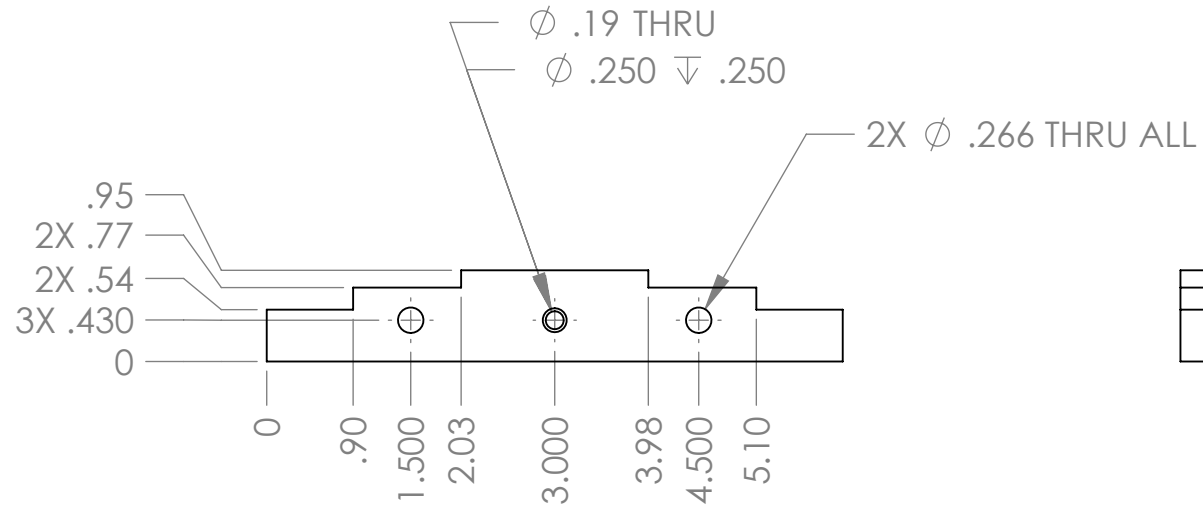


REVISIONS				
ZONE	REV.	DESCRIPTION	DATE	APPROVED
	0	INITIAL RELEASE.	07/12/06	CH
	1	CHANGED ONE 1/4 PIN TO OVERSIZED.	05/16/07	SCP

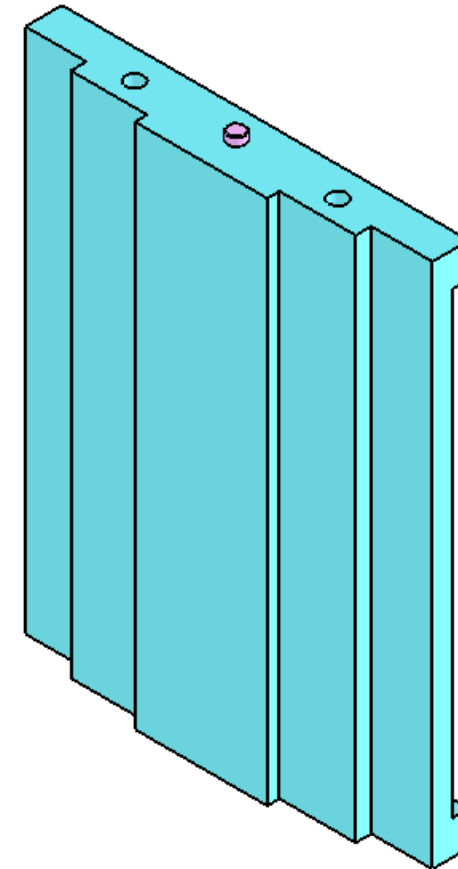
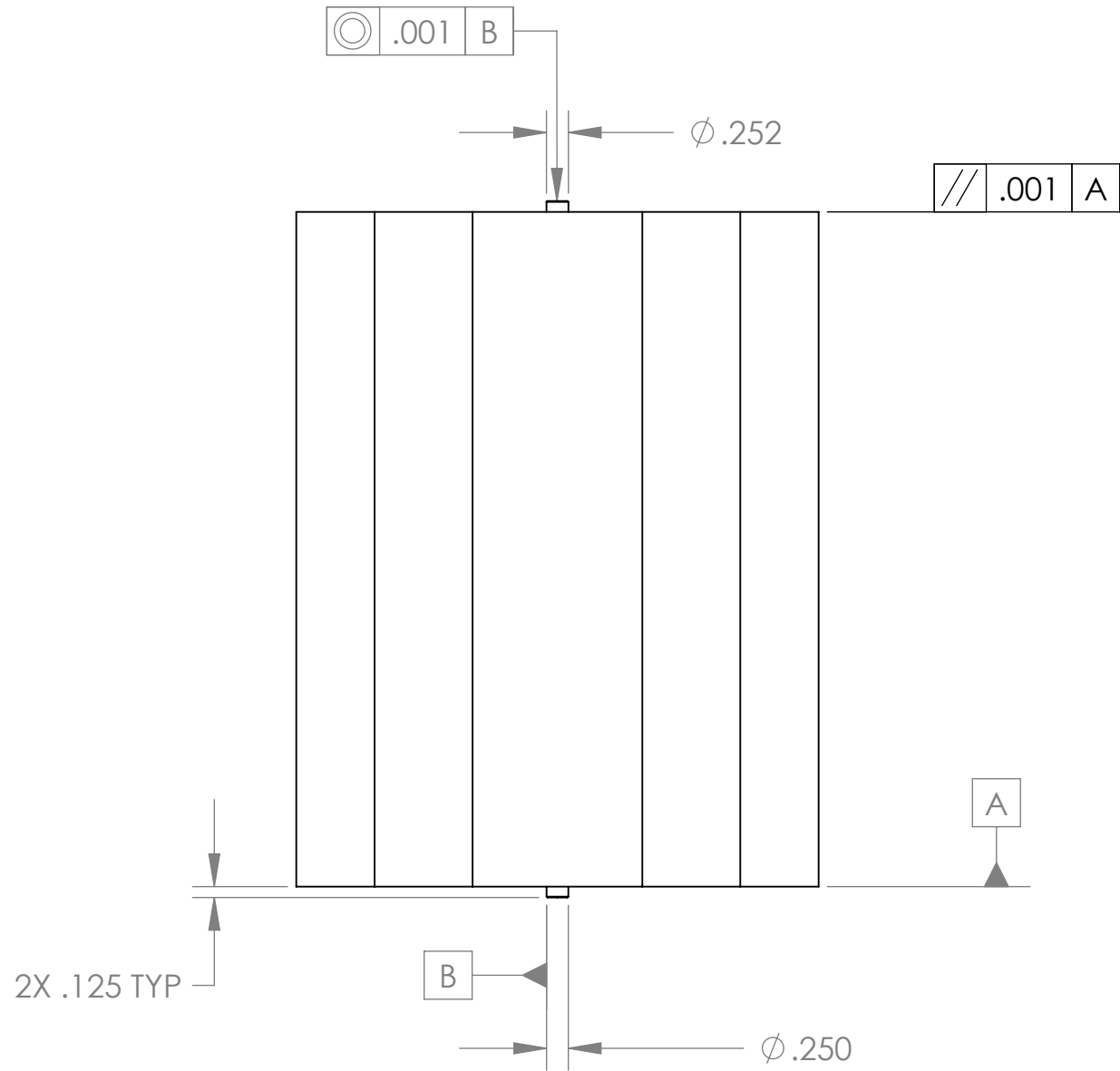


UNLESS OTHERWISE SPECIFIED DIMENSIONS ARE IN INCHES, REMOVE BURRS AND BREAK SHARP EDGES 0.005-0.010
 TOLERANCES: .XX ± .010 .XXX ± .005
 ANGLES ± 0.5° UNLESS NOTED, ALL SURFACES 64 UNLESS NOTED
 MATERIAL: 6061-T6 ALUM
 QTY: 12

NAME:	INIT.	DATE:
DRAWN:	SCP	05/16/07
CHECKED:	SCP	05/16/07
APPROVED:		
FABRICATED:		
FILE: TRDOP36 Bulkhead Brace		

TRIPLESPEC Cornell University
 Center for Radiophysics and Space Research - Ithaca, NY 14853
 TITLE: BULKHEAD BRACE
 SIZE: B DRAWING # TRDOP36 REV 1
 SCALE: 1:2 DATE: 5/16/2007 SHEET 1 OF 2

VIEWS WITH PINS.



UNLESS OTHERWISE SPECIFIED DIMENSIONS ARE IN INCHES, REMOVE BURS AND BREAK SHARP EDGES 0.005-0.010

TOLERANCES: .XX $\pm .010$.XXX $\pm .005$
 ANGLES $\pm 0.5^\circ$ UNLESS NOTED,
 ALL SURFACES 64 UNLESS NOTED

MATERIAL: **6061-T6 ALUM**
QTY: 12

NAME:	INIT.	DATE:
DRAWN:	SCP	05/16/07
CHECKED:	SCP	05/16/07
APPROVED:		
FABRICATED:		
FILE: TRDOP36 Bulkhead Brace		

TRIPLESPEC

Cornell University
 Center for Radiophysics and Space Research - Ithaca, NY 14853

TITLE:	BULKHEAD BRACE	
SIZE:	B	DRAWING # TRDOP36
SCALE:	1:2	DATE: 5/16/2007
		SHEET 2 OF 2

REV **1**