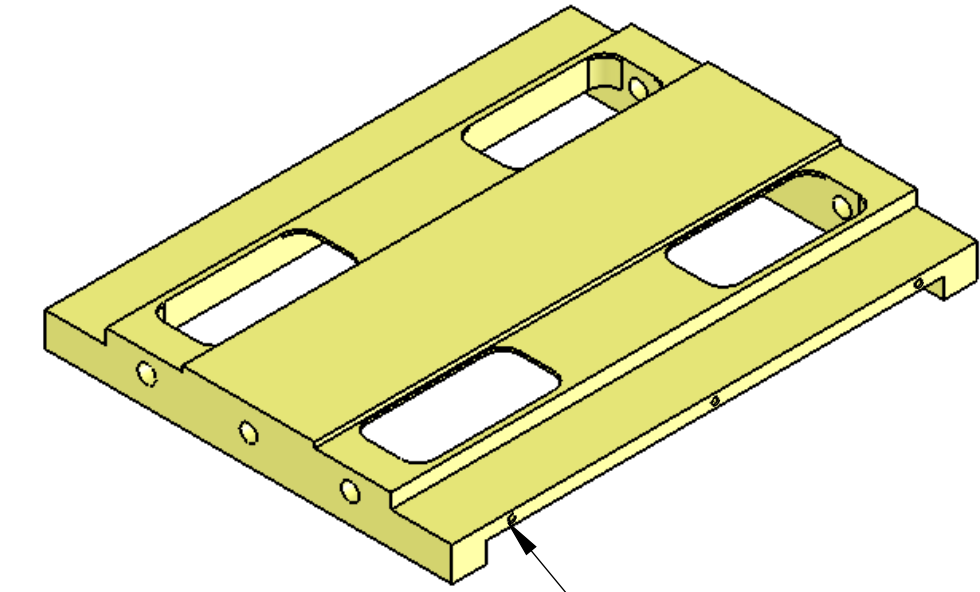
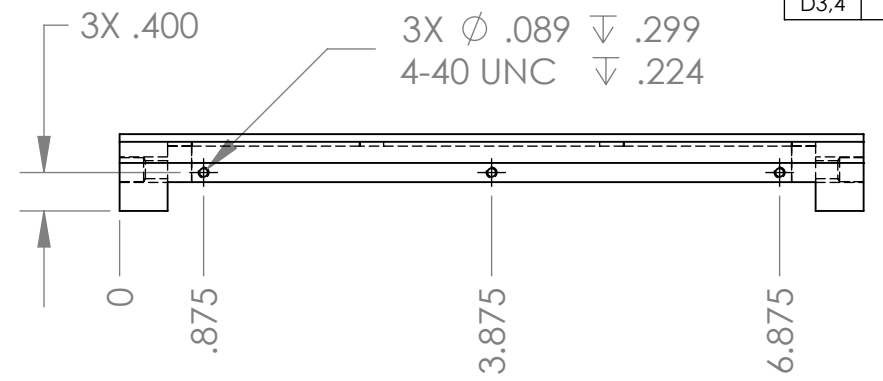
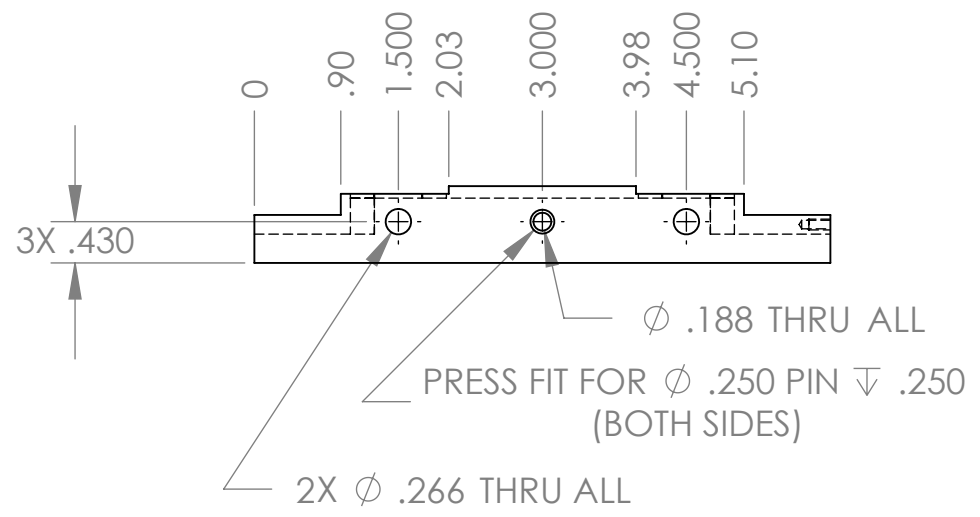
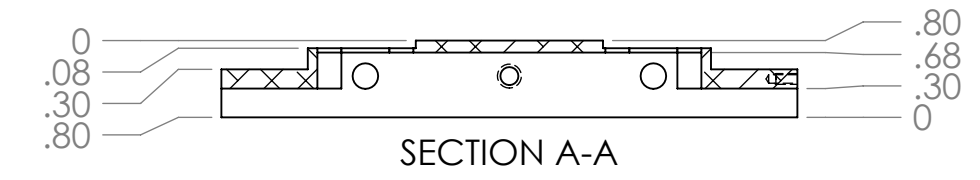
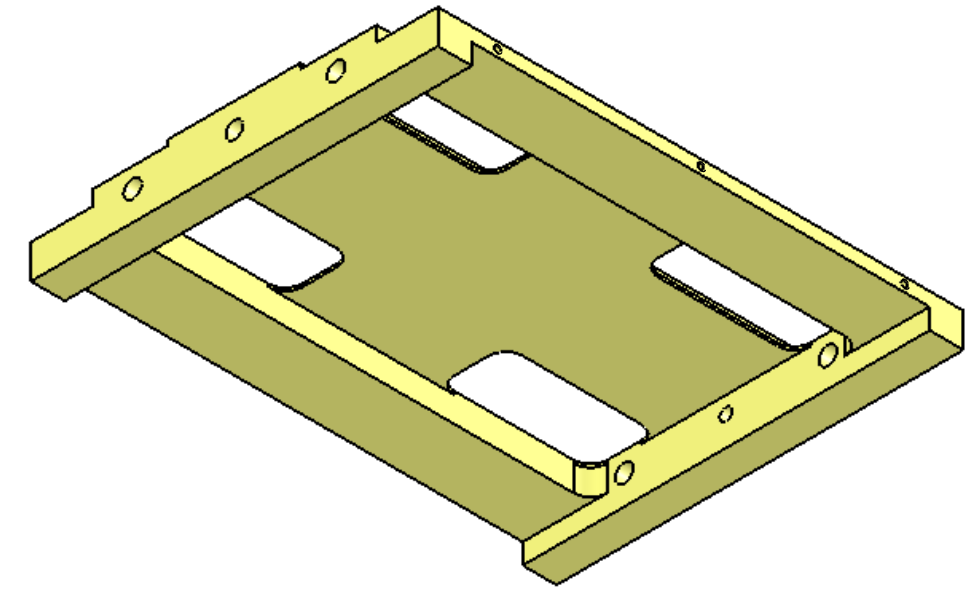
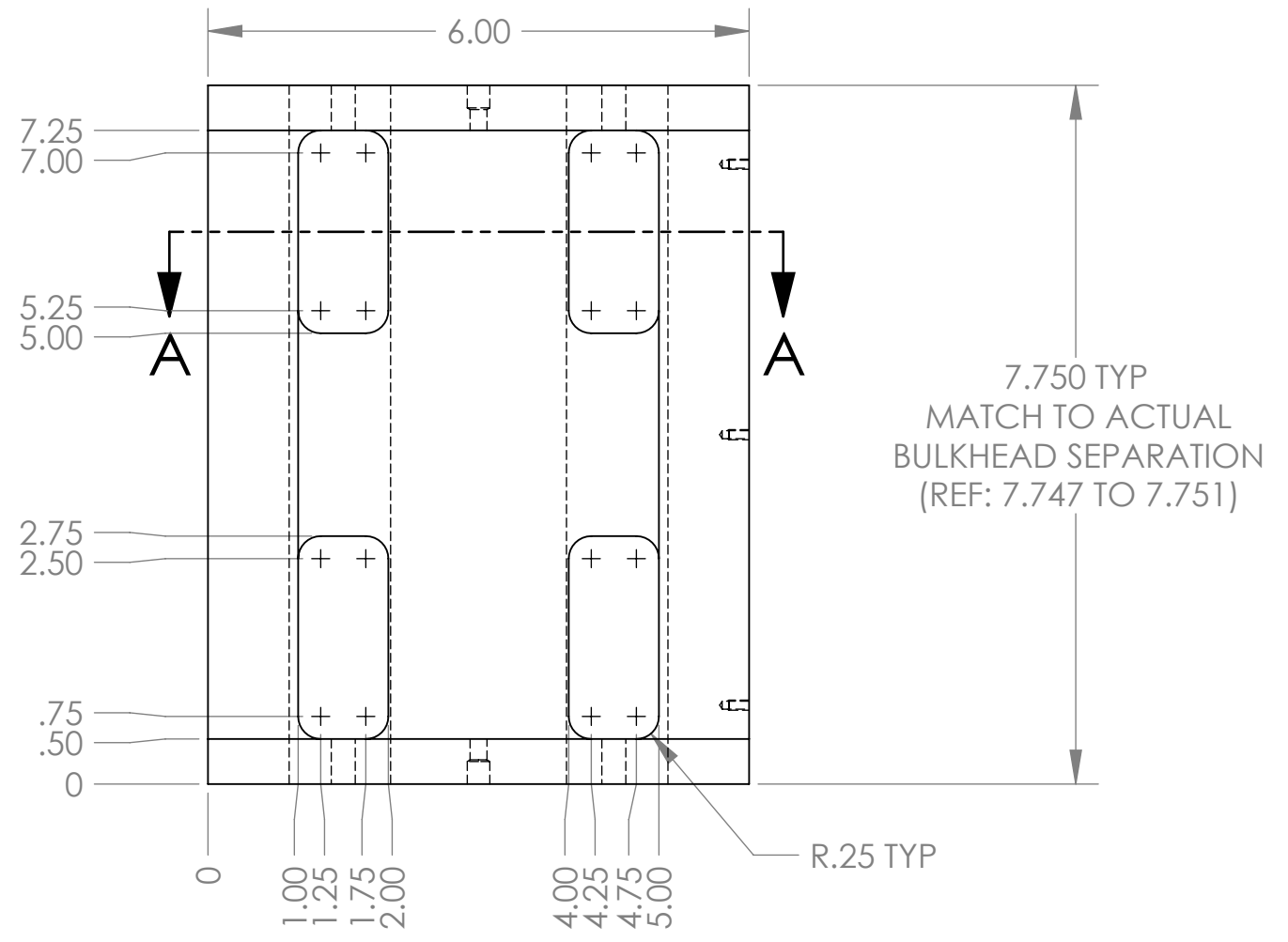


REVISIONS				
ZONE	REV.	DESCRIPTION	DATE	APPROVED
	0	INITIAL RELEASE.	07/12/06	CH
D3,4	1	ADDED 3X 4-40 HOLES IN SIDE.	03/08/07	CH



NOTE: 4-40 HOLES FACE TOWARD THE Ø .250 PINS FOR THE LUNE TANK ON THE BULKHEADS (AS OPPOSED TO THE Ø .252 PINS).



UNLESS OTHERWISE SPECIFIED DIMENSIONS ARE IN INCHES, REMOVE BURS AND BREAK SHARP EDGES 0.005-0.010

TOLERANCES: .XX ±.010 .XXX ±.005
 ANGLES ±0.5° UNLESS NOTED,
 ALL SURFACES 64 UNLESS NOTED

MATERIAL: **6061-T6 ALUM**
QTY: 6

FILE: TRDOP37 Bulkhead BraceX

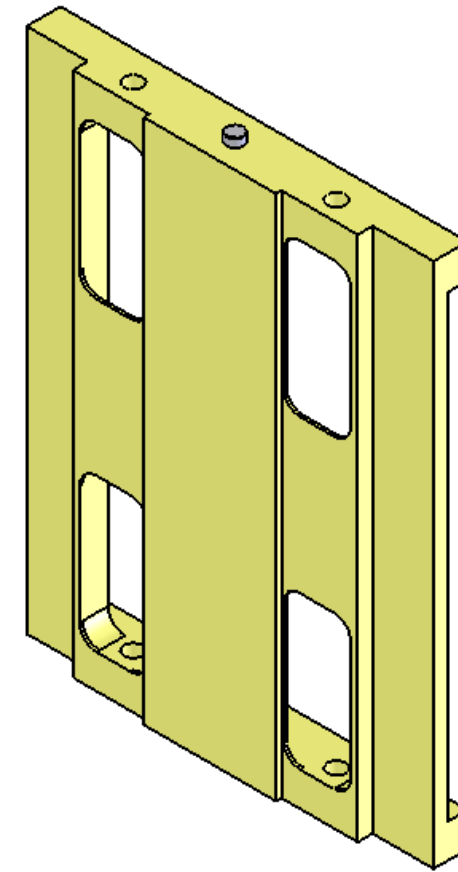
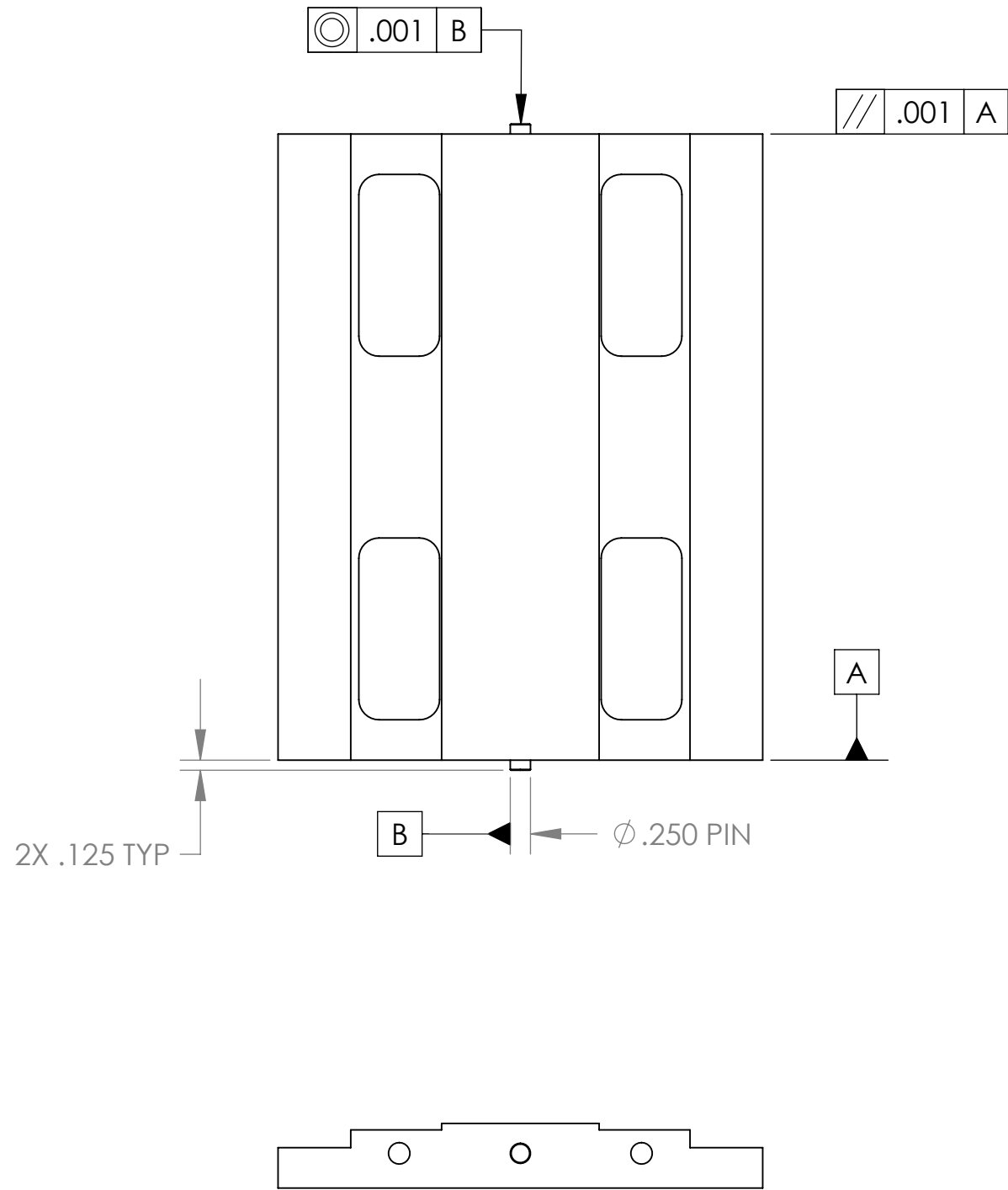
TRIPLESPEC

Cornell University
 Center for Radiophysics and Space Research - Ithaca, NY 14853

NAME:	INIT.	DATE:	TITLE:
DRAWN: SCP	SCP	03/08/07	BULKHEAD BRACE-X
CHECKED: CH	CH	03/09/07	SIZE: B
APPROVED:			DRAWING # TRDOP37
FABRICATED:			REV 1

SCALE: 1:2 DATE: 3/9/2007 SHEET 1 OF 2

VIEWS WITH PINS.



UNLESS OTHERWISE SPECIFIED DIMENSIONS ARE IN INCHES, REMOVE BURRS AND BREAK SHARP EDGES 0.005-0.010

TOLERANCES: .XX ± .010 .XXX ± .005
 ANGLES ± 0.5° UNLESS NOTED,
 ALL SURFACES 64 UNLESS NOTED

MATERIAL: 6061-T6 ALUM
 QTY: 6

NAME:	INIT.	DATE:
DRAWN: SCP	SCP	03/08/07
CHECKED: CH	CH	03/09/07
APPROVED:		
FABRICATED:		
FILE: TRDOP37 Bulkhead BraceX		

TRIPLESPEC

Cornell University
 Center for Radiophysics and Space Research - Ithaca, NY 14853

TITLE:	BULKHEAD BRACE-X		
SIZE: B	DRAWING #	REV	
	TRDOP37	1	
SCALE: 1:2	DATE: 3/9/2007	SHEET 2 OF 2	