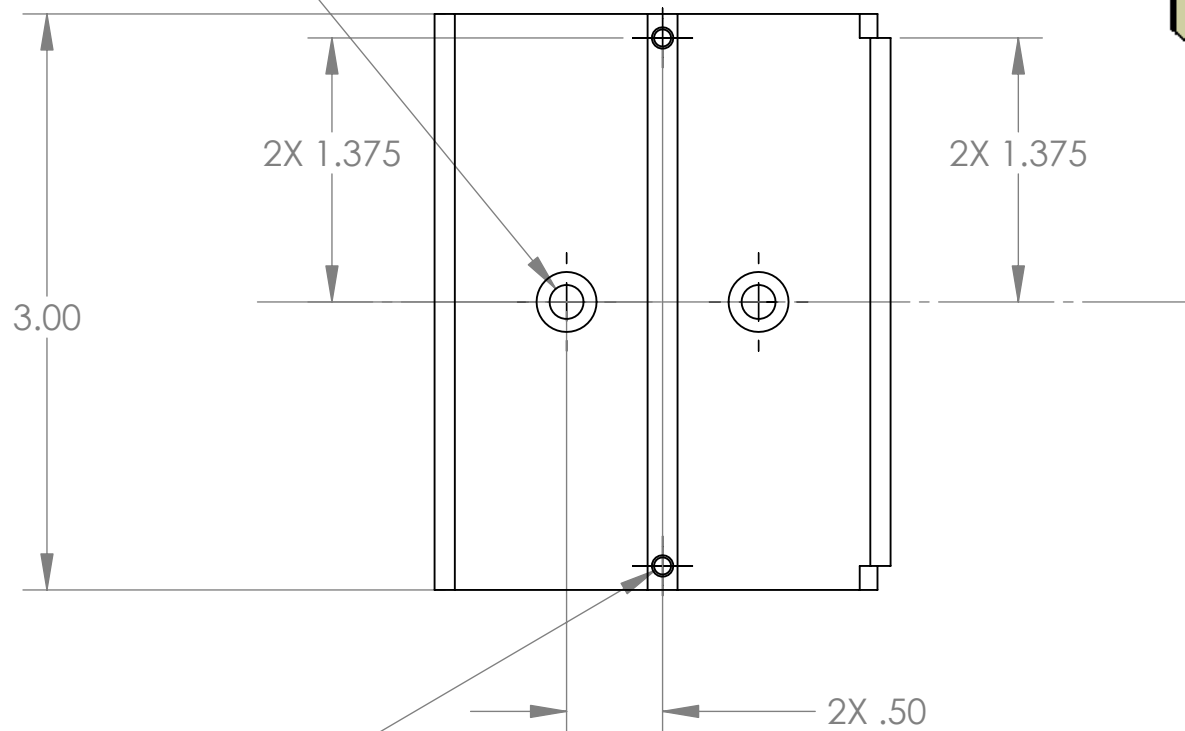
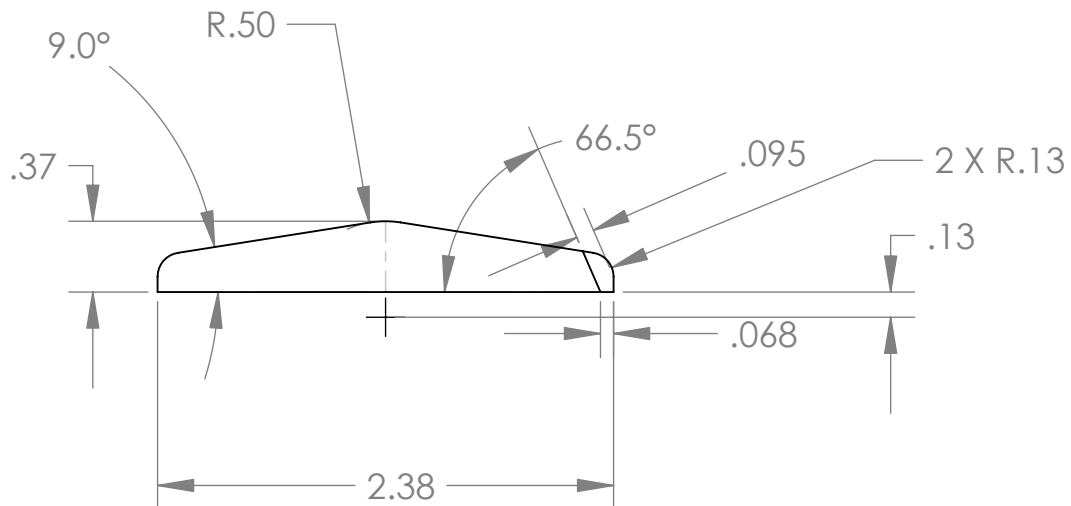


2X ϕ .177 THRU ALL
 \square ϕ .313 ∇ .170
 Minimum



2X ϕ .089 ∇ .299
 4-40 UNC ∇ .224

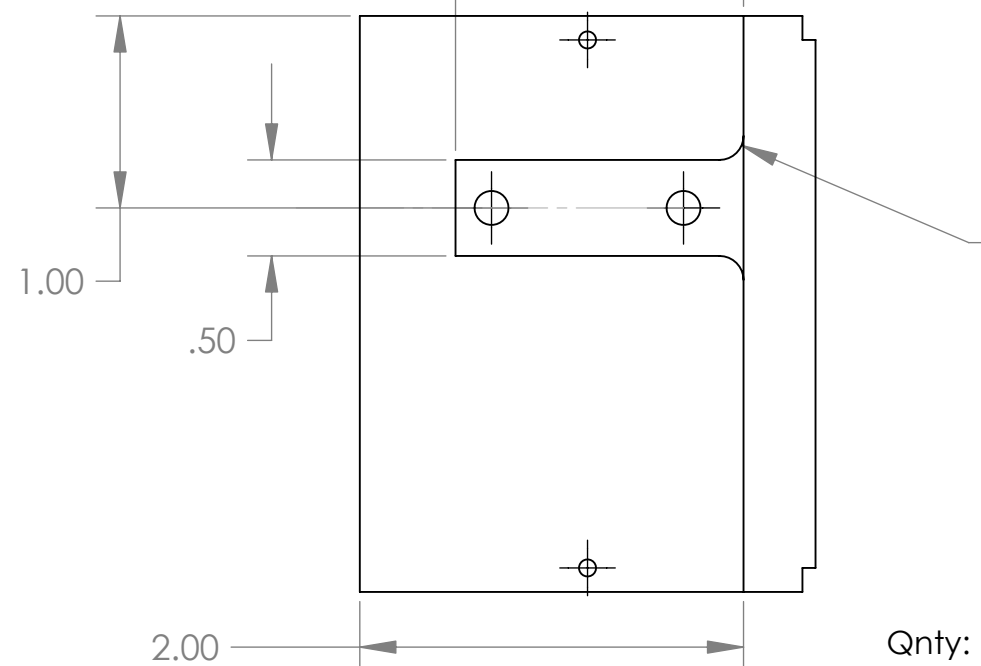
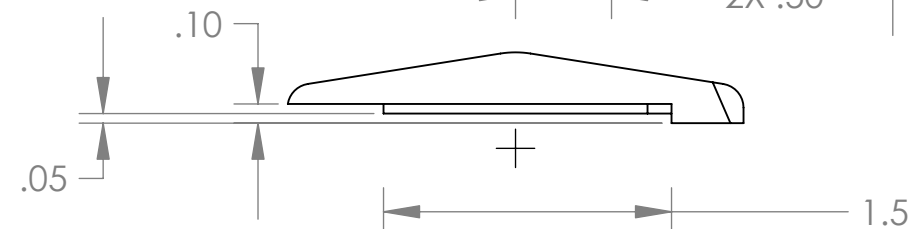
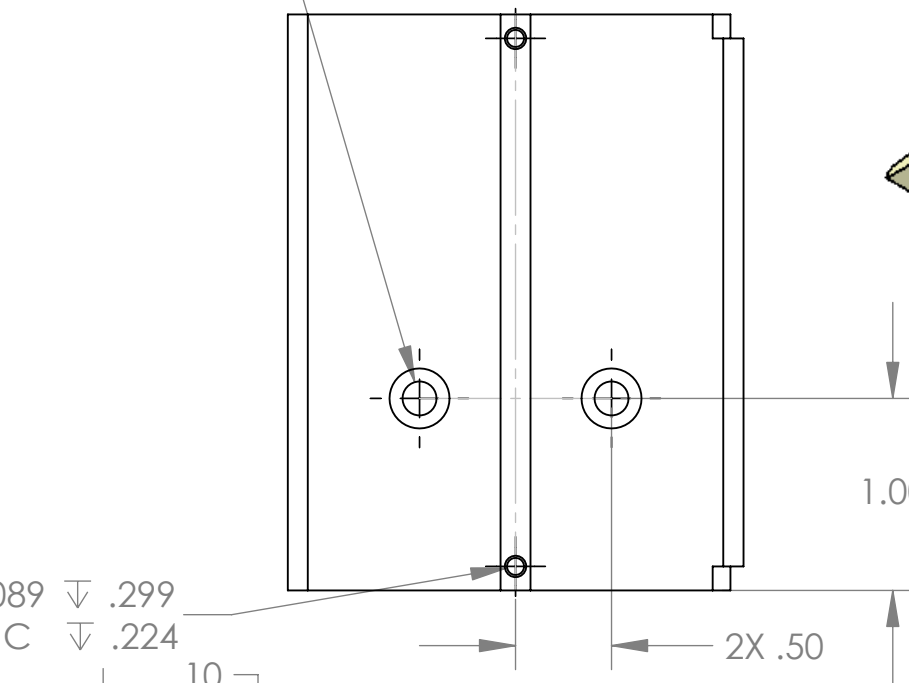


Qty: 9

2X ϕ .177 THRU ALL
 \square ϕ .313 ∇ .170

REVISIONS				
REV.	ZONE	DESCRIPTION	DATE	APPROVED
0		Initial Release.	8/31/2004	

2X ϕ .089 ∇ .299
 4-40 UNC ∇ .224



Qty: 3

UNLESS OTHERWISE SPECIFIED DIMENSIONS
 ARE IN INCHES, REMOVE BURRS AND
 BREAK SHARP EDGES 0.005-0.010
 TOLERANCES: .XX \pm .010 .XXX \pm .005
 ANGLES \pm 0.5° UNLESS NOTED,
 ALL SURFACES 64 UNLESS NOTED

MATERIAL: Aluminum



TRIPLESPEC

Cornell University
 Center for Radiophysics and Space Research - Ithaca, NY 14853

NAME:	INIT. CH	DATE:	TITLE:
DRAWN:			Labyrinth Base-1K L. Base
CHECKED:			
APPROVED:			
FABRICATED:			
FILE: TRD7L021-28 Labyrinth Base			

SIZE: B	DRAWING #	REV 0
SCALE: 1:1	TRD7L021-28	
DATE: 10/12/2006	SHEET 1 OF 1	