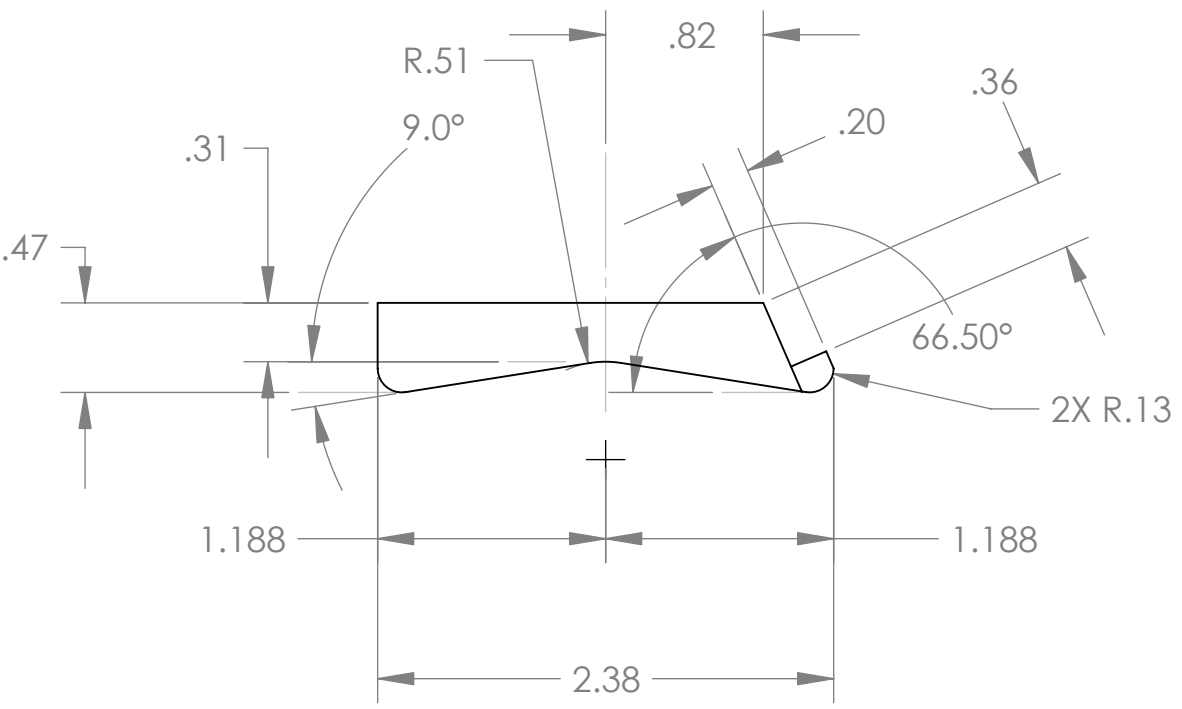
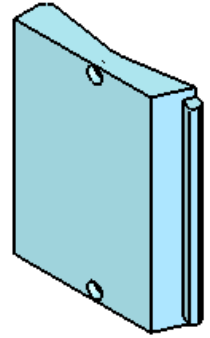
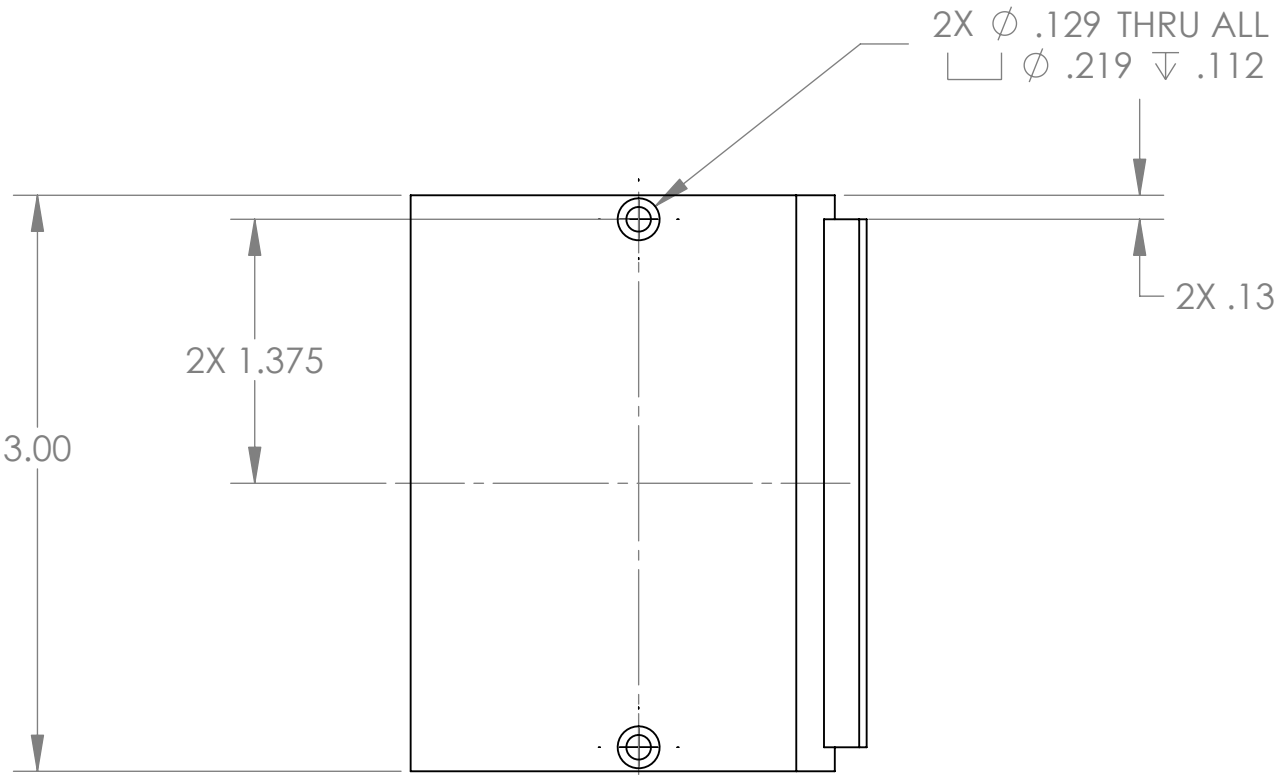


REVISIONS				
REV.	ZONE	DESCRIPTION	DATE	APPROVED
0		Initial Release.	8/31/2004	



UNLESS OTHERWISE SPECIFIED DIMENSIONS ARE IN INCHES, REMOVE BURS AND BREAK SHARP EDGES 0.005-0.010
 TOLERANCES: .XX ± .010 .XXX ± .005
 ANGLES ± 0.5° UNLESS NOTED, ALL SURFACES 64 UNLESS NOTED

MATERIAL: Aluminum
 Qty: 12

NAME:	INIT. CH	DATE:
DRAWN:		
CHECKED:		
APPROVED:		
FABRICATED:		
FILE: TRD7L022 Labyrinth Top		

TRIPLESPEC Cornell University
 Center for Radiophysics and Space Research - Ithaca, NY 14853

TITLE: Labyrinth Top

SIZE: **B** DRAWING # TRD7L022 REV **0**

SCALE: 1:1 DATE: 10/11/2006 SHEET 1 OF 1