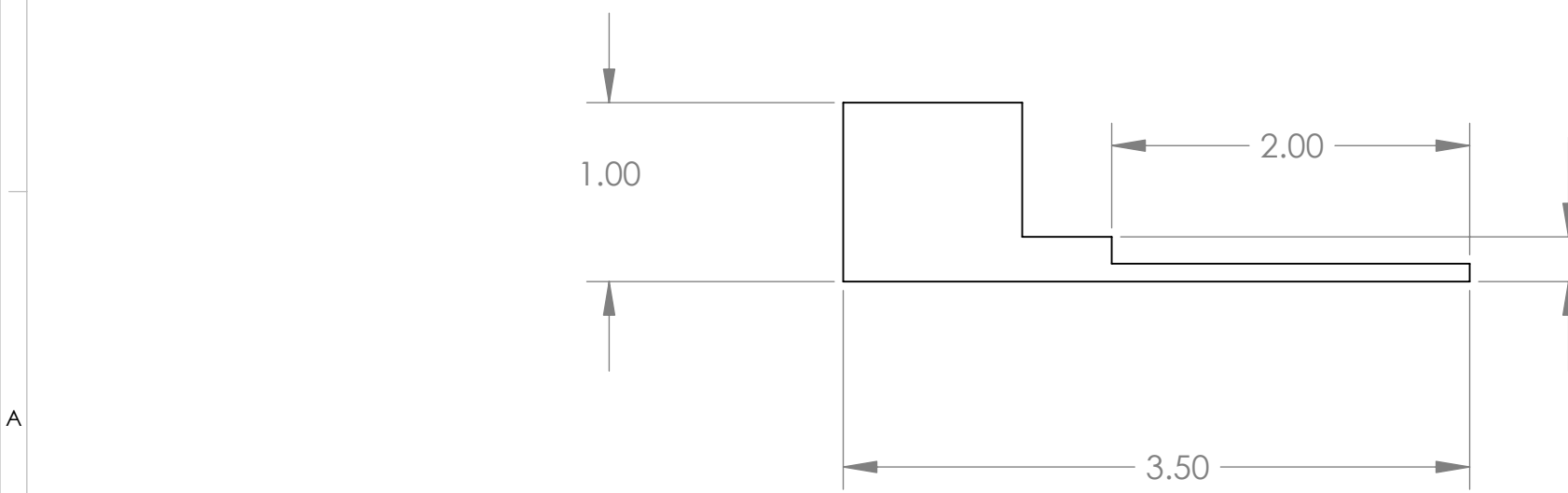
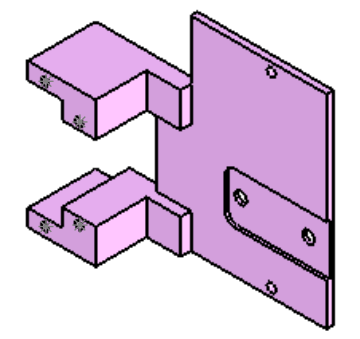
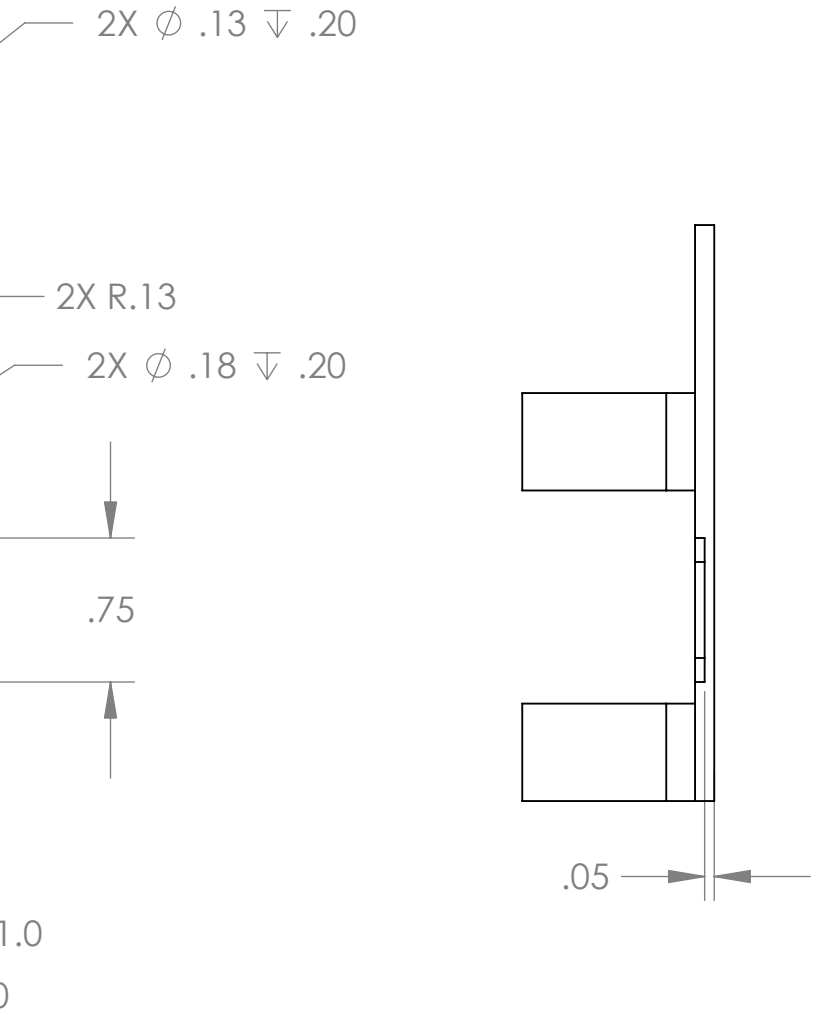
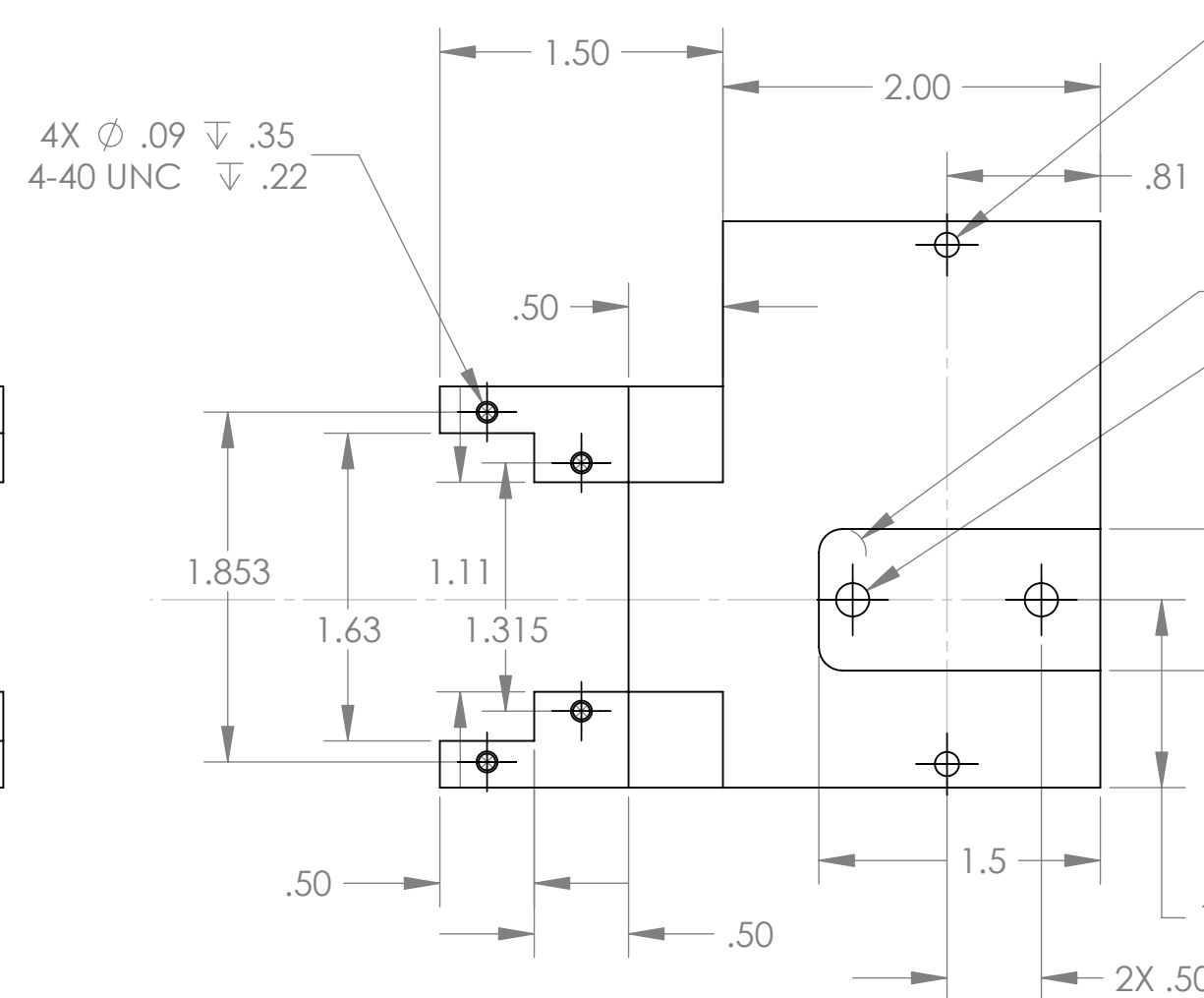
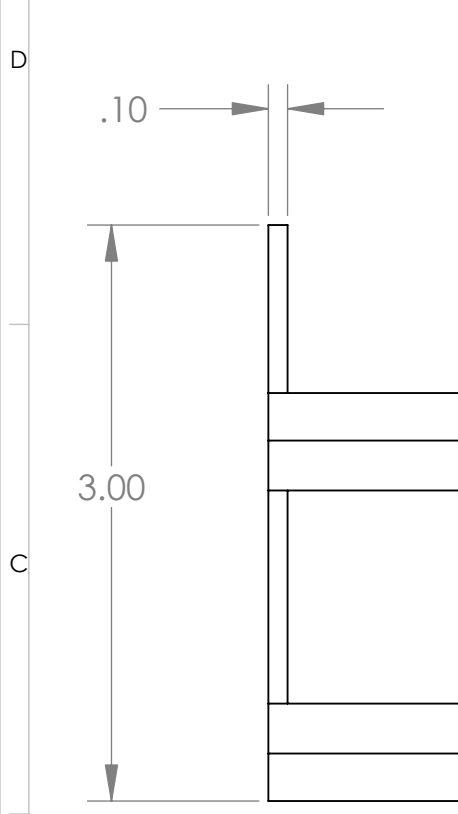


REVISIONS				
REV.	ZONE	DESCRIPTION	DATE	APPROVED
0		Initial Release.	8/31/2004	



UNLESS OTHERWISE SPECIFIED DIMENSIONS ARE IN INCHES, REMOVE BURRS AND BREAK SHARP EDGES 0.005-0.010
 TOLERANCES: .XX ±.010 .XXX ±.005
 ANGLES ±0.5° UNLESS NOTED,
 ALL SURFACES 64 UNLESS NOTED

MATERIAL: Aluminium
 Qty: 3

			TRIPLESPEC		Cornell University Center for Radiophysics and Space Research - Ithaca, NY 14853	
NAME:	INIT.:	DATE:	TITLE: 1K D-Sub Mount			
DRAWN:	CH		SIZE: B	DRAWING #	TRD7L029	REV 0
CHECKED:			SCALE: 1:1	DATE: 10/12/2006	SHEET 1 OF 1	
APPROVED:			FILE: TRD7L029 1K D Sub Mount			
FABRICATED:						