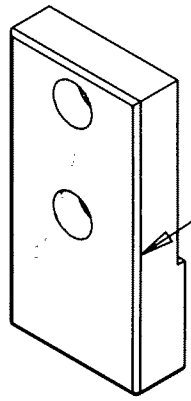
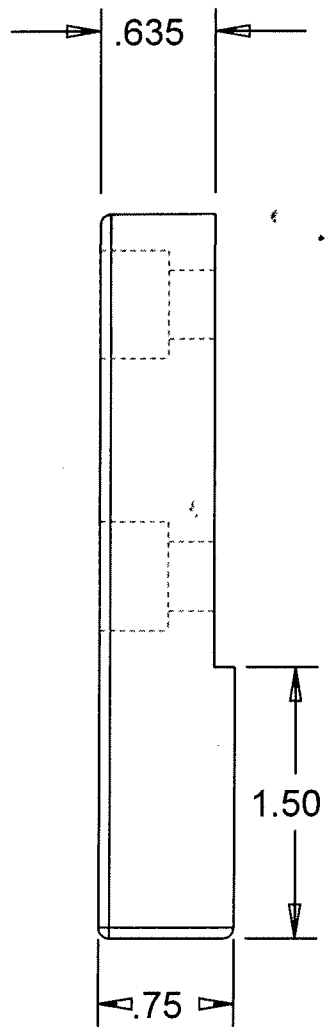
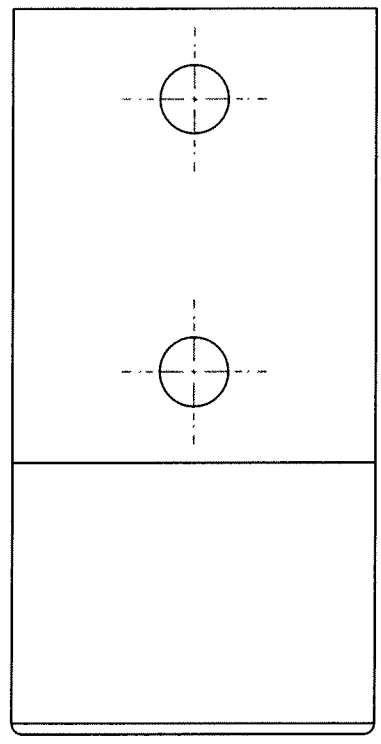


SCALE 1.000

Ø .380  
 3/8 SHCS



REMOVE CORNERS, 1/16R



TYP OF Z  
 Steel or Stainless Steel