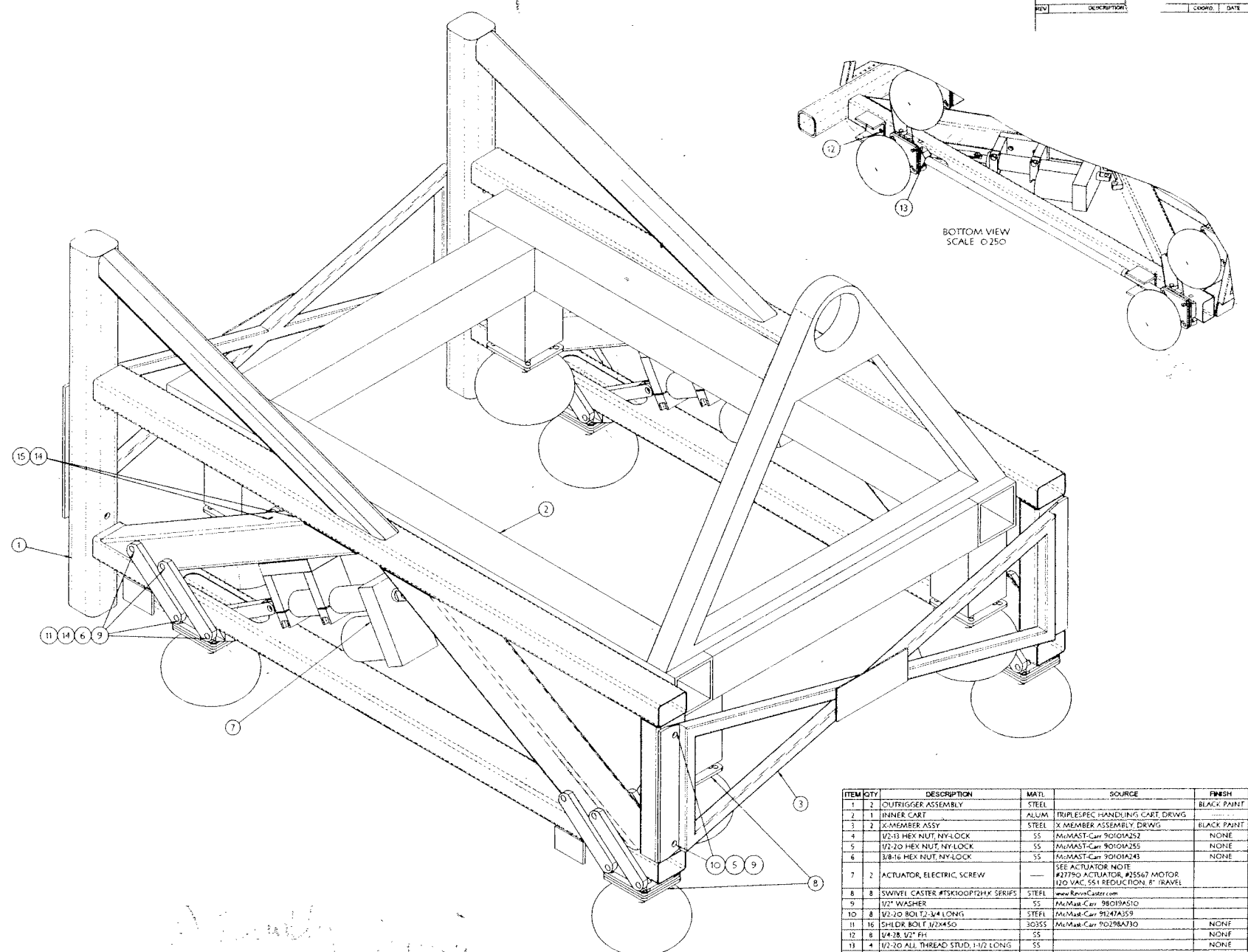


REV	DESCRIPTION	COORD.	DATE



BOTTOM VIEW  
SCALE 0.250

SCALE 0.400

ITEM QTY	DESCRIPTION	MATL	SOURCE	FINISH
1 2	OUTFITTER ASSEMBLY	STEEL		BLACK PAINT
2 1	INNER CART	ALUMINUM	BURRLESSPEC HANDLING CART DRWG	
3 2	X-MEMBER ASSY	STEEL	X-MEMBER ASSEMBLY DRWG	BLACK PAINT
4	1/2-13 HEX NUT, NY-LOCK	SS	McMAST-Carr 90101A252	NONE
5	1/2-20 HEX NUT, NY-LOCK	SS	McMAST-Carr 90101A255	NONE
6	3/8-16 HEX NUT, NY-LOCK	SS	McMAST-Carr 90101A243	NONE
7 2	ACTUATOR, ELECTRIC, SCREW		SEE ACTUATOR NOTE #27190 ACTUATOR, #15567 MOTOR 1:10 VAC, 55:1 REDUCTION R/ TRAVEL	
8 8	SWIVEL CASTER #TSK100P12HX SERIS	STEEL	www.RevoCaster.com	
9	1/2" WASHER	SS	McMast-Carr 98019A510	
10 8	1/2-20 BOLT 1/2-3/4 LONG	STEEL	McMast-Carr 91247A359	
11 16	SHLDR. BOLT 1/2X450	303SS	McMast-Carr 90278A730	NONE
12 8	1/4-28 1/2" FH	SS		NONE
13 4	1/2-20 ALL. THREAD STUD, 1-1/2 LONG	SS		NONE
14	3/8" WASHER	SS		
15 4	3/8-16 BOLT, 4" LONG, SHCS	SS	McMast-Carr 98019A299	
16			McMast-Carr 92196A640	

ACTUATOR NOTE  
BURR ENGINEERING  
730 EAST MICHIGAN AVE  
PO BOX 460  
BATTLE CREEK, MI 49016  
269-966-3122 - fax 269-965-2389

TOLERANCES ARE:  
FRACTIONS  
DIMENSIONS  
XXX±.005  
MM±.10

PRINCETON UNIVERSITY  
PRINCETON, N.J. 08544  
SLOAN DIGITAL SKY SURVEY

DATE	BY	CHKD	APP'D
	M.Carr		