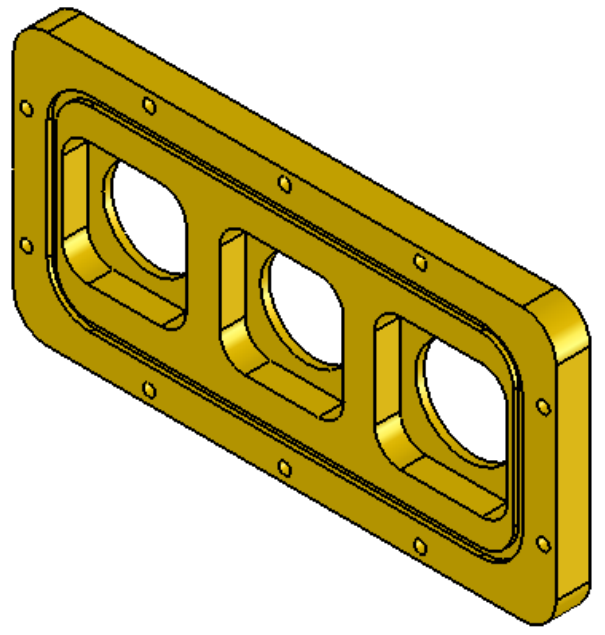
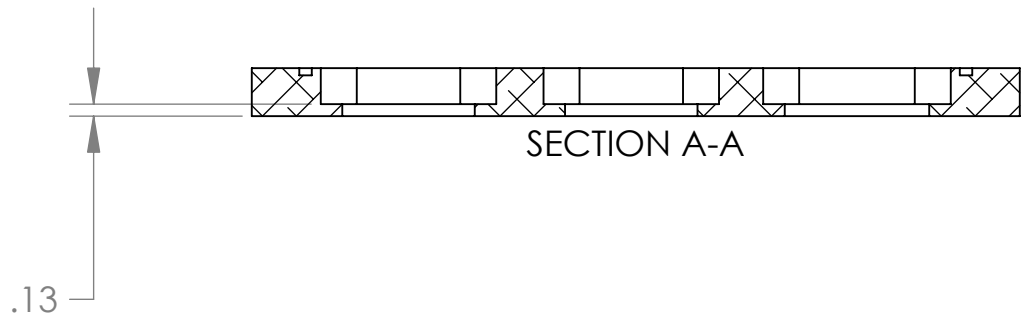
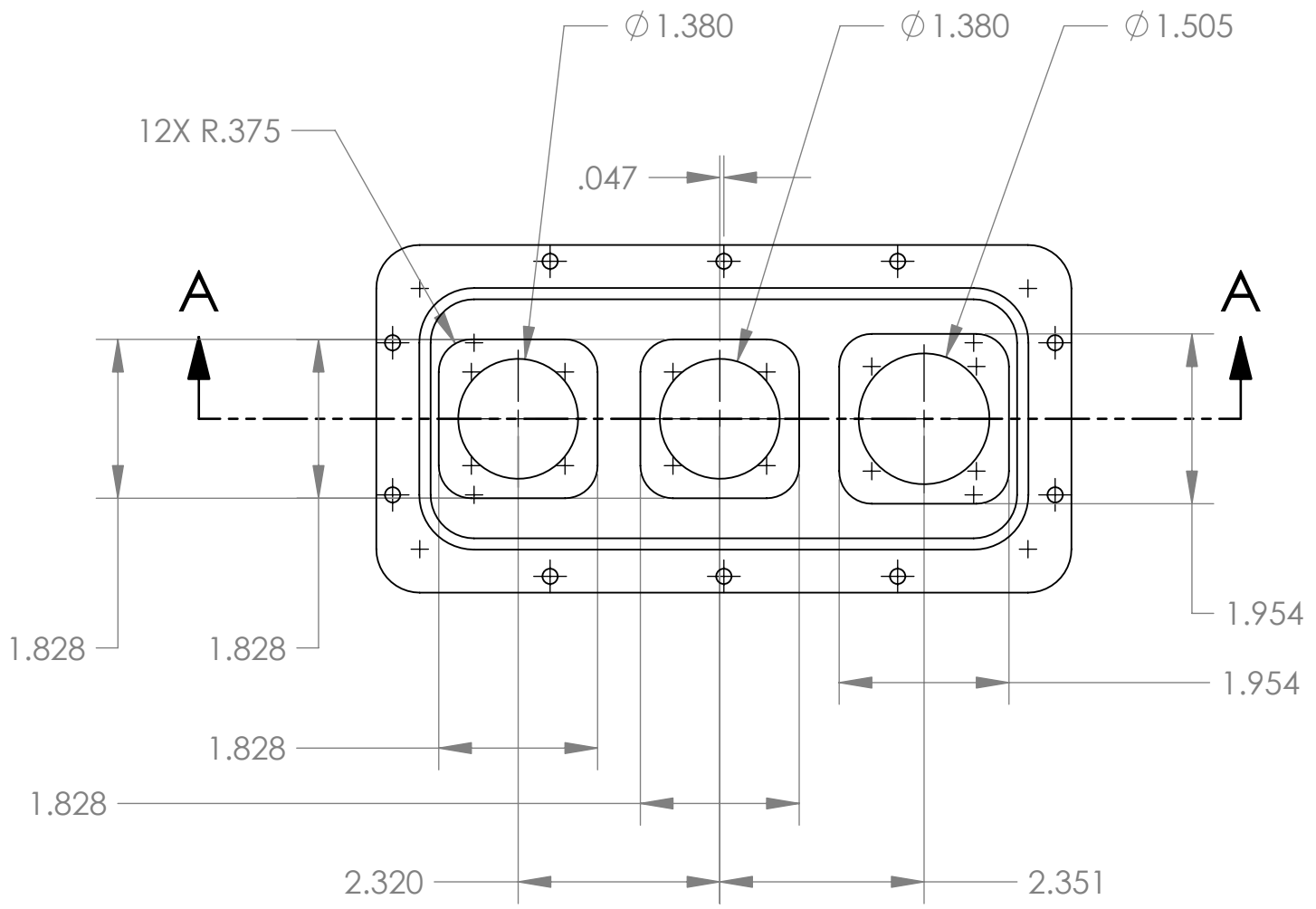


REVISIONS				
REV.	ZONE	DESCRIPTION	DATE	APPROVED
0		Initial Release.	8/31/2004	



UNLESS OTHERWISE SPECIFIED DIMENSIONS ARE IN INCHES, REMOVE BURS AND BREAK SHARP EDGES 0.005-0.010  
 TOLERANCES: .XX ± .010 .XXX ± .005  
 ANGLES ± 0.5° UNLESS NOTED, ALL SURFACES 64 UNLESS NOTED  
 MATERIAL:  
**QNTY: 3**

NAME: INIT. DATE: DRAWN: CH CHECKED: APPROVED: FABRICATED:

**TRIPLESPEC** Cornell University  
 Center for Radiophysics and Space Research - Ithaca, NY 14853

TITLE: **Small Cover 1**

SIZE: **B** DRAWING # **TRDVO31** REV **0**

SCALE: 1:2 DATE: 7/19/2006 SHEET 1 OF 1

FILE: TRD3V031 Small Cover 1