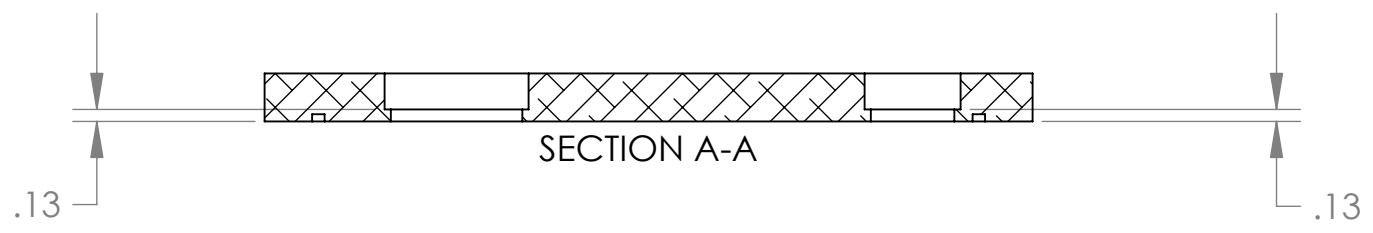
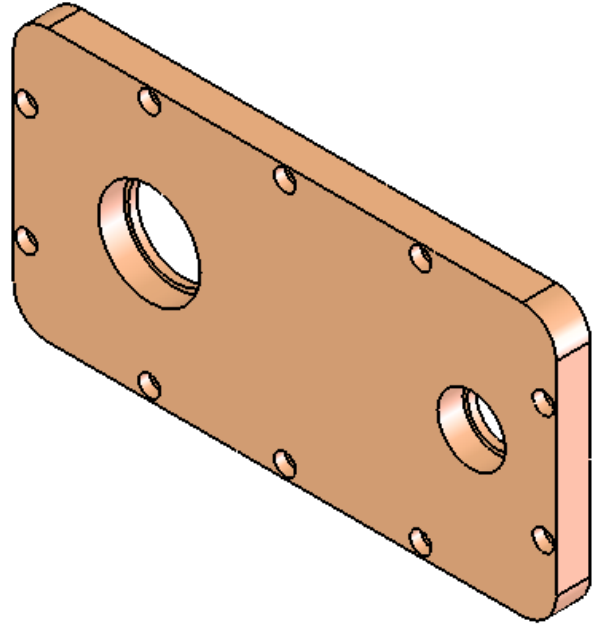
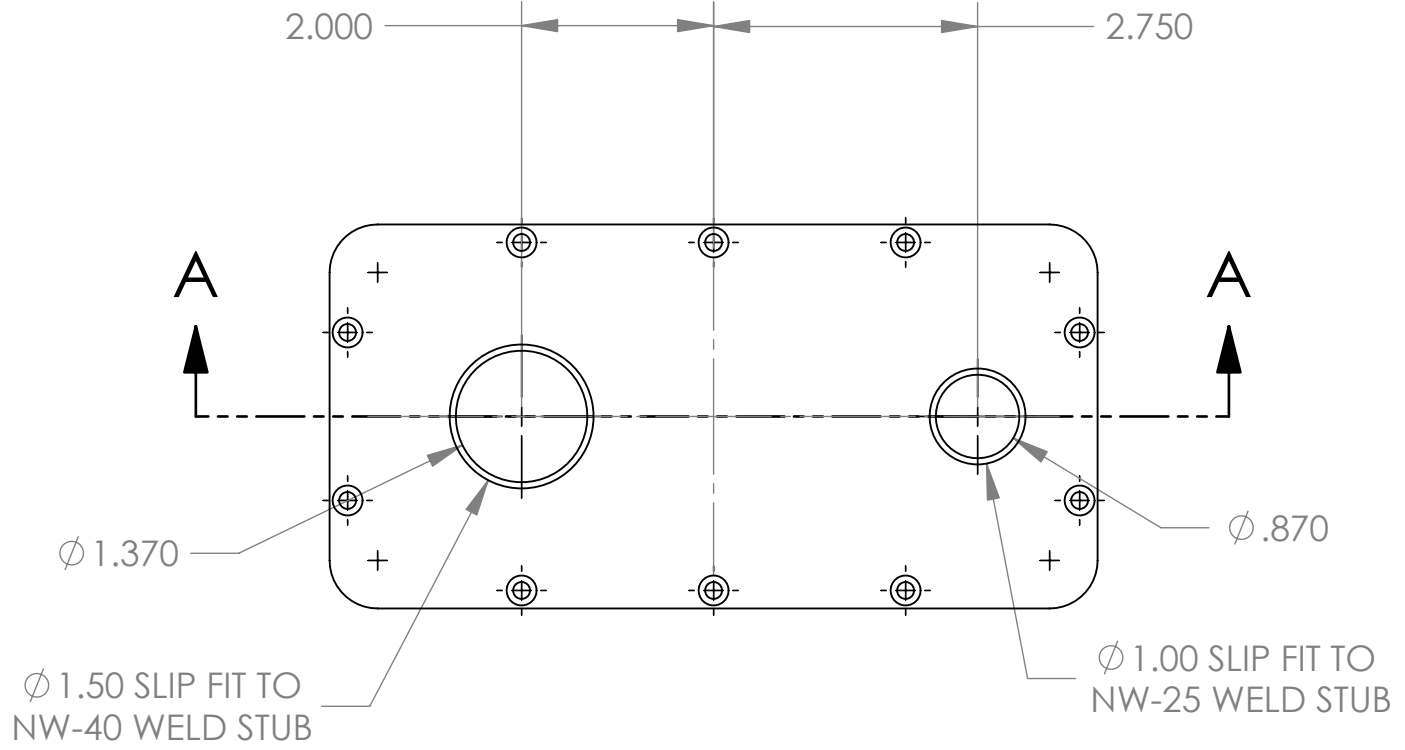


REVISIONS				
REV.	ZONE	DESCRIPTION	DATE	APPROVED
0		Initial Release.	8/31/2004	



UNLESS OTHERWISE SPECIFIED DIMENSIONS ARE IN INCHES, REMOVE BURS AND BREAK SHARP EDGES 0.005-0.010

TOLERANCES: .XX \pm .010 .XXX \pm .005
 ANGLES \pm 0.5° UNLESS NOTED,
 ALL SURFACES 64 UNLESS NOTED

MATERIAL:
QNTY: 2

NAME: _____ INIT. CH DATE: _____
 DRAWN: _____
 CHECKED: _____
 APPROVED: _____
 FABRICATED: _____

TRIPLESPEC

FILE: TRD3V032 PAL-KECK Small Cover 4

Cornell University
 Center for Radiophysics and Space Research - Ithaca, NY 14853

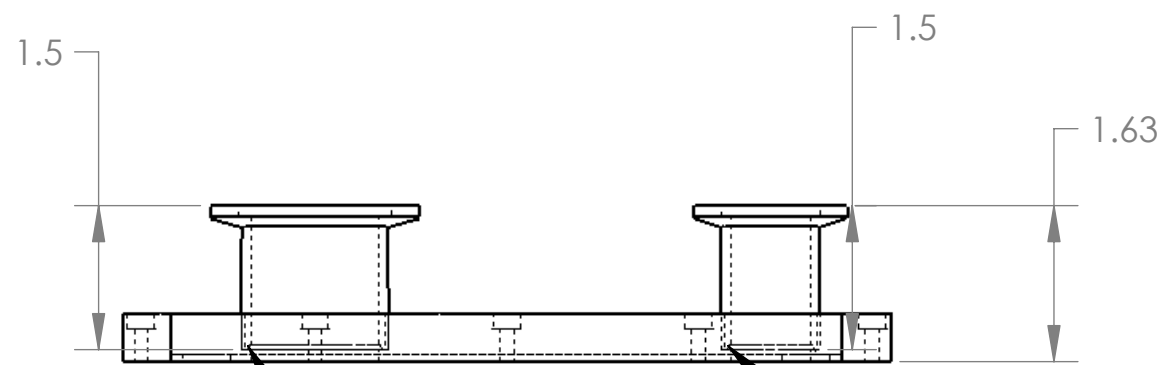
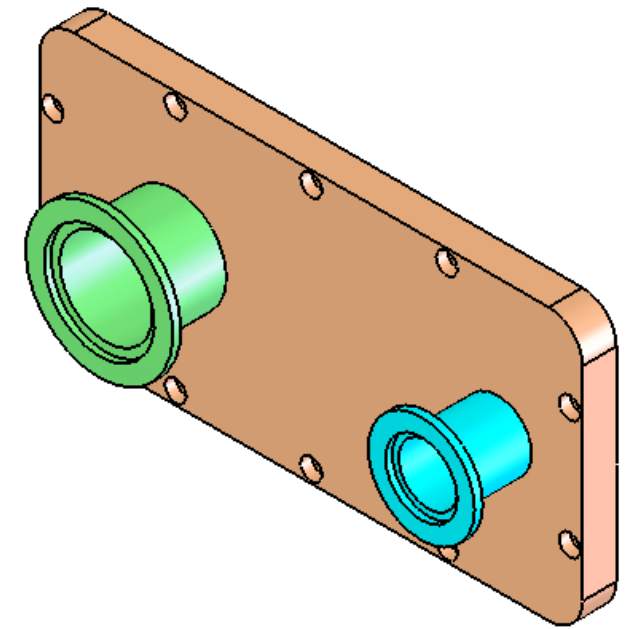
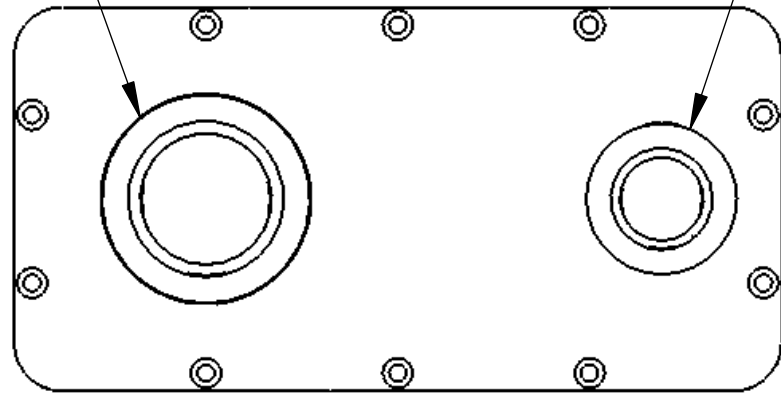
TITLE: **PAL-KECK SMALL COVER 4**

SIZE: **B** DRAWING # **TRD3V032** REV **0**

SCALE: 1:2 DATE: 8/16/2006 SHEET 1 OF 2

NW 40 WELD STUB

NW 25 WELD STUB



CHAMFER INSIDE OF TUBE
.04 X 45°

CHAMFER INSIDE OF TUBE
.04 X 45°

UNLESS OTHERWISE SPECIFIED DIMENSIONS
ARE IN INCHES, REMOVE BURS AND
BREAK SHARP EDGES 0.005-0.010

TOLERANCES: .XX ± .010 .XXX ± .005
ANGLES ± 0.5° UNLESS NOTED,
ALL SURFACES 64 UNLESS NOTED

MATERIAL:
QNTY: 2



TRIPLESPEC

Cornell University
Center for Radiophysics and Space Research - Ithaca, NY 14853

NAME:	INIT. CH	DATE:
DRAWN:		
CHECKED:		
APPROVED:		
FABRICATED:		

TITLE: PAL-KECK SMALL COVER 4

SIZE: B DRAWING # TRD3V032 REV 0

SCALE: 1:2 DATE: 8/16/2006 SHEET 2 OF 2

FILE: TRD3V032 PAL-KECK Small Cover 4