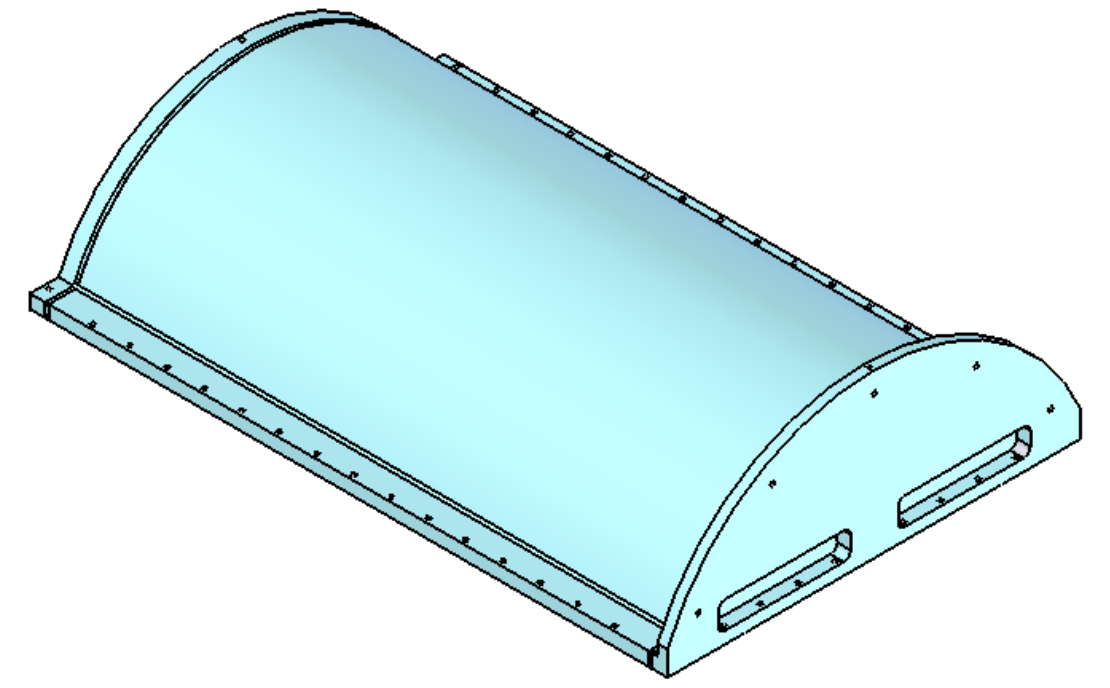
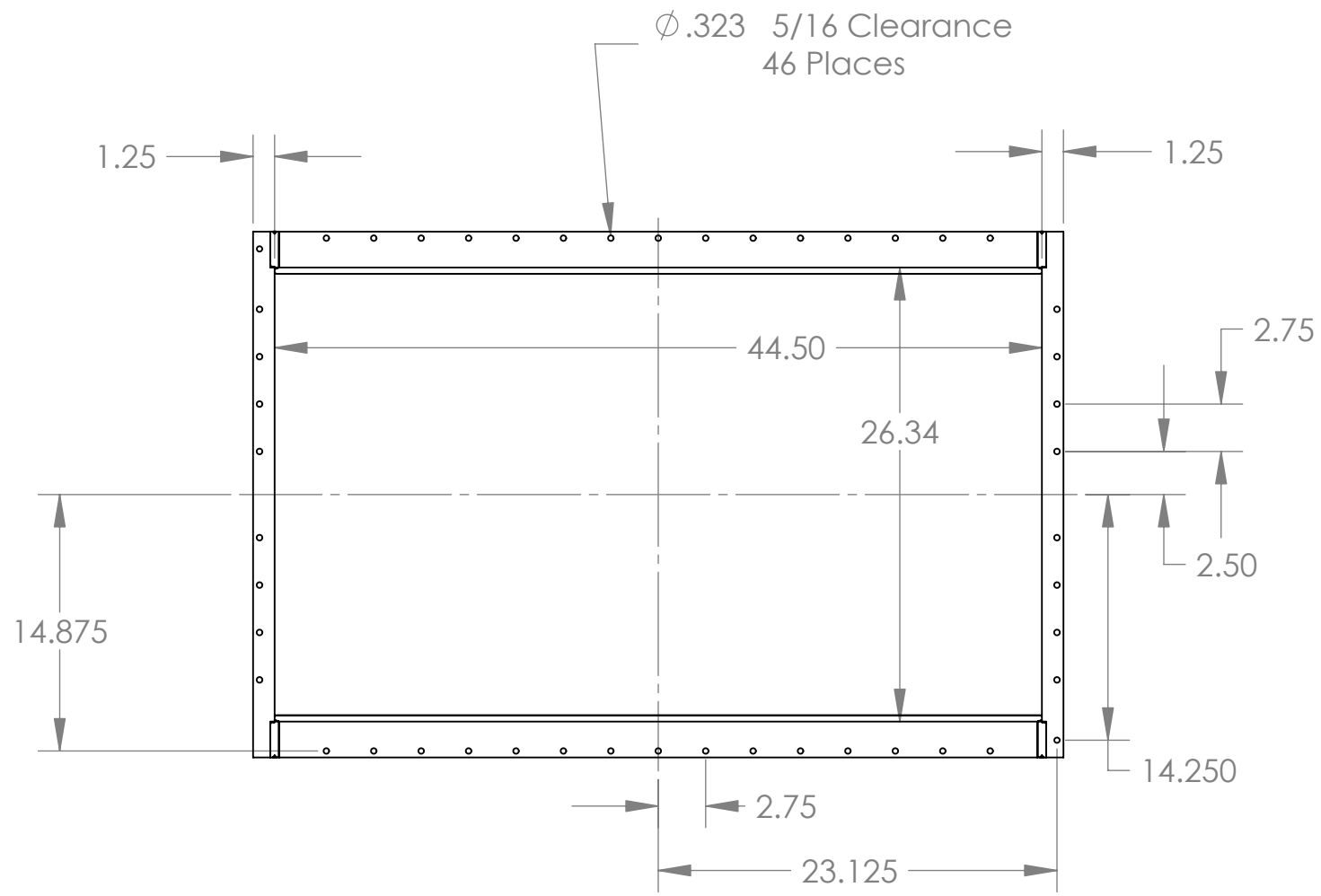
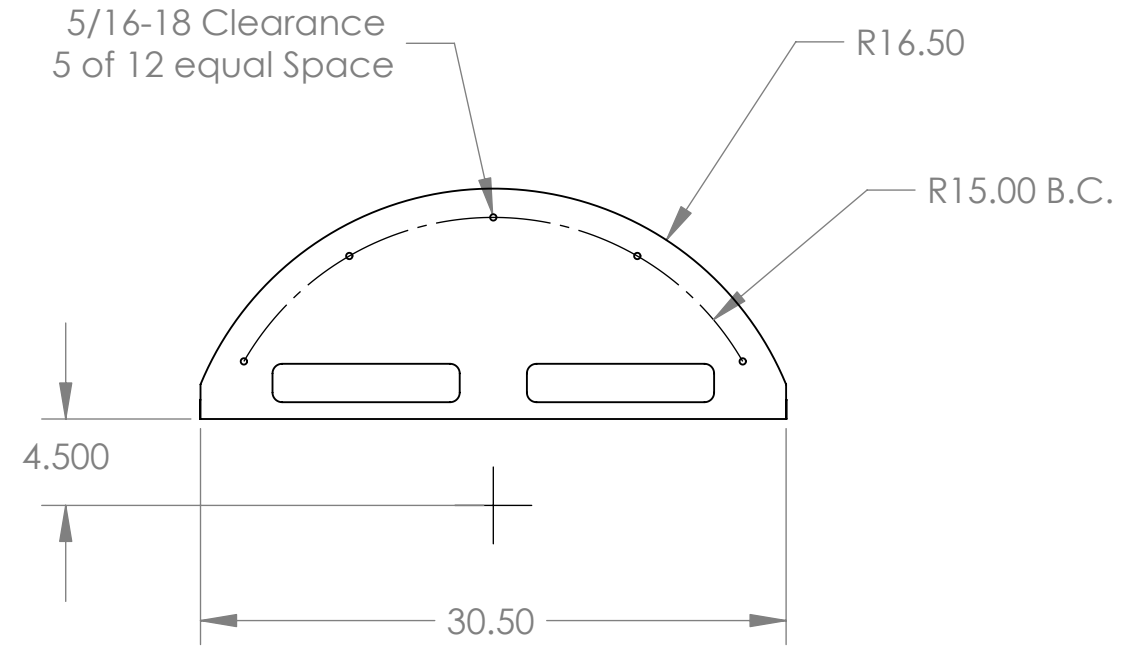
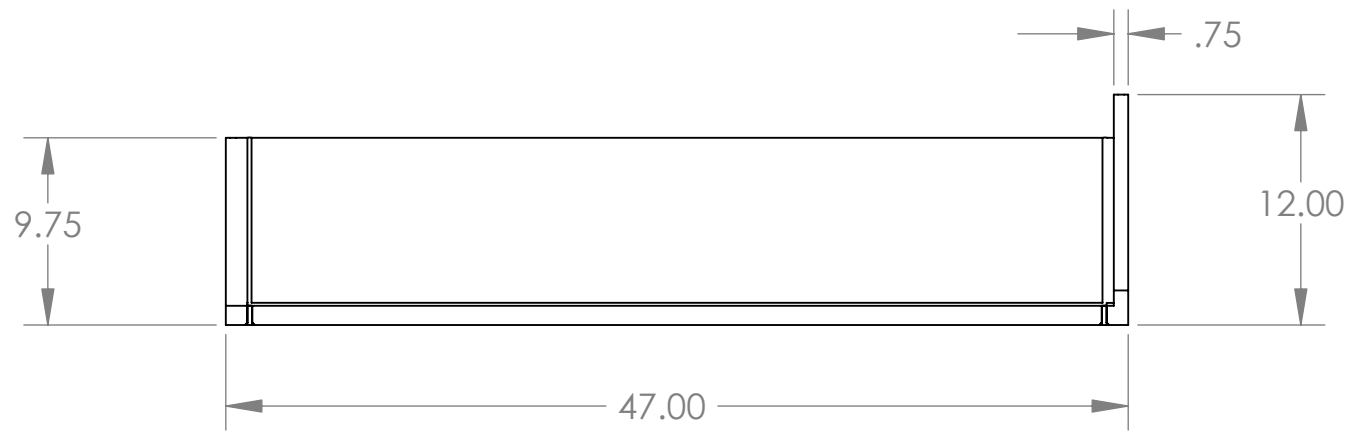


INSPECTION DRAWING



UNLESS OTHERWISE SPECIFIED DIMENSIONS ARE IN INCHES, REMOVE BURRS AND BREAK SHARP EDGES 0.005-0.010

TOLERANCES: .XX±.010 .XXX±.005 ANGLES ±0.5° UNLESS NOTED, ALL SURFACES 64 UNLESS NOTED

MATERIAL: **6061-T6 AL**

TRIPLESPEC

Cornell University  
Center for Radiophysics and Space Research - Ithaca, NY 14853

NAME:	INIT.:	DATE:	TITLE:
DRAWN:	SCP	11/01/06	ACCESS SHELL
CHECKED:	CH	11/XX/06	
APPROVED:			
FABRICATED:			

SIZE: <b>B</b>	DRAWING #	REV
SCALE: 1:10	TRD3VW01	0
DATE: 11/2/2006	SHEET 1 OF 1	

FILE: TRD3VW01 Access Shell