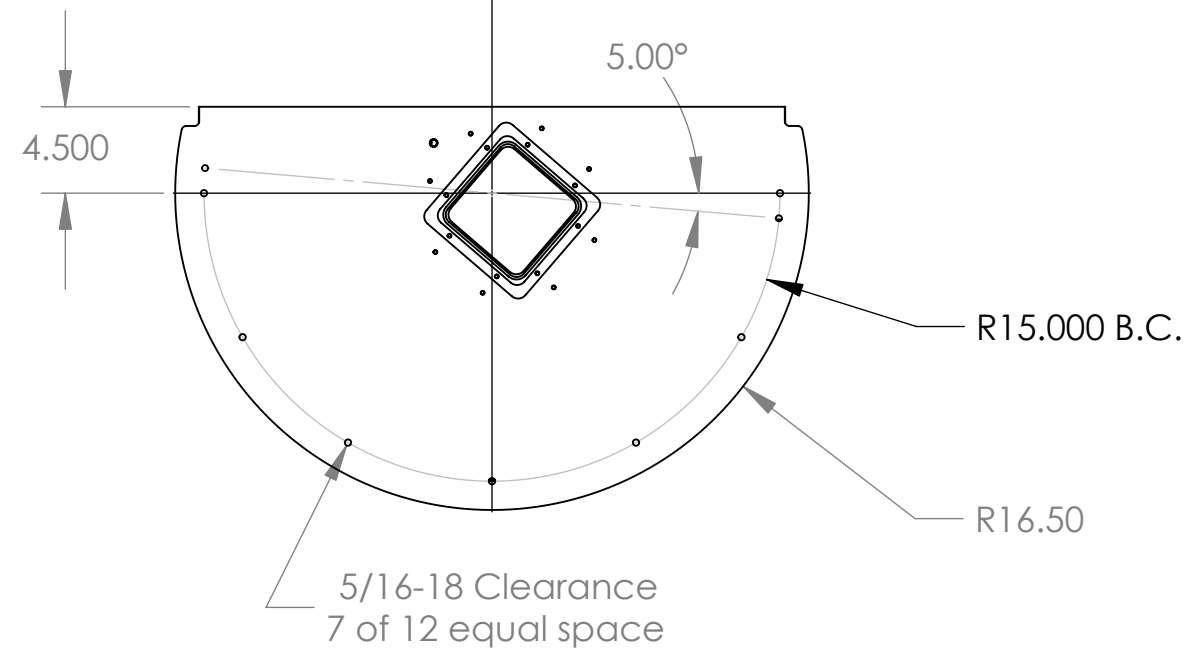
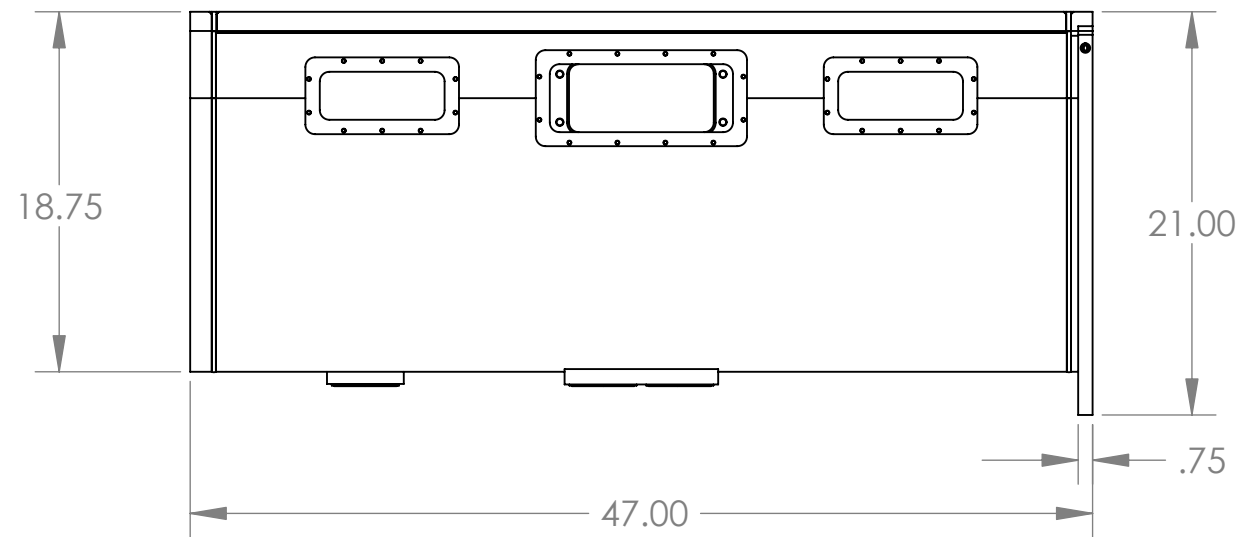
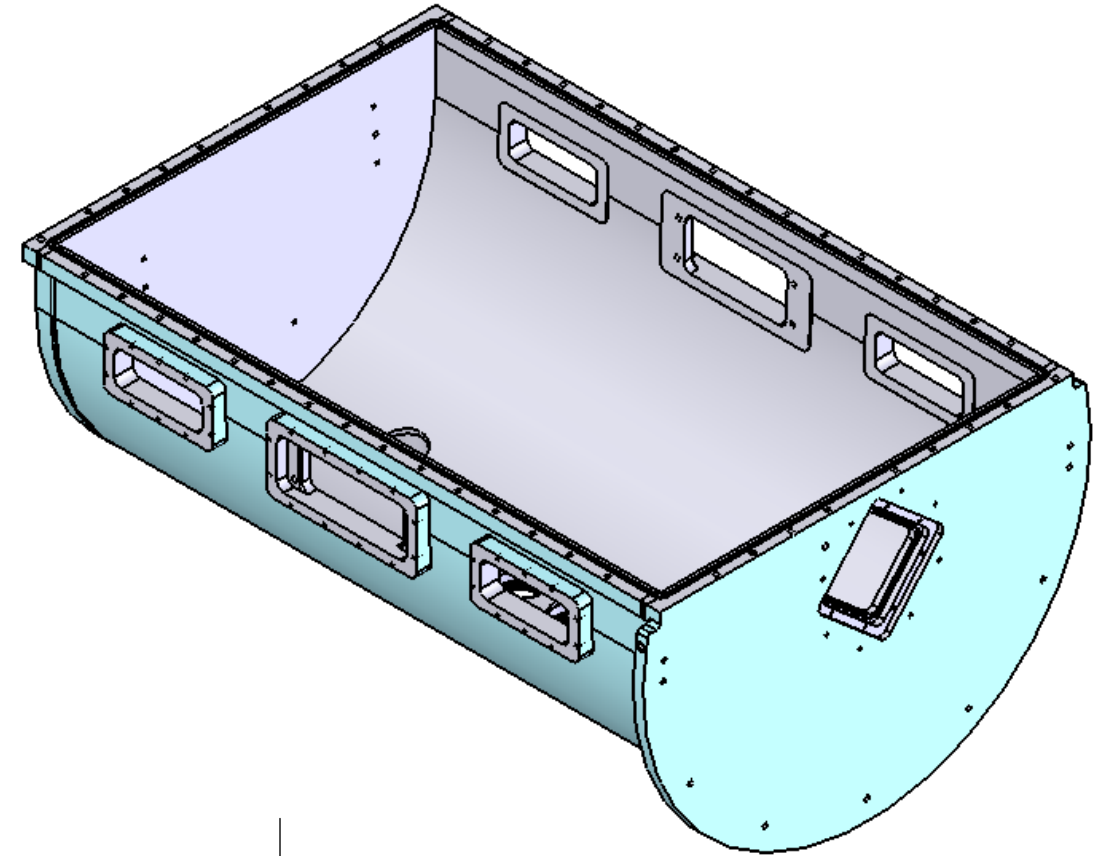
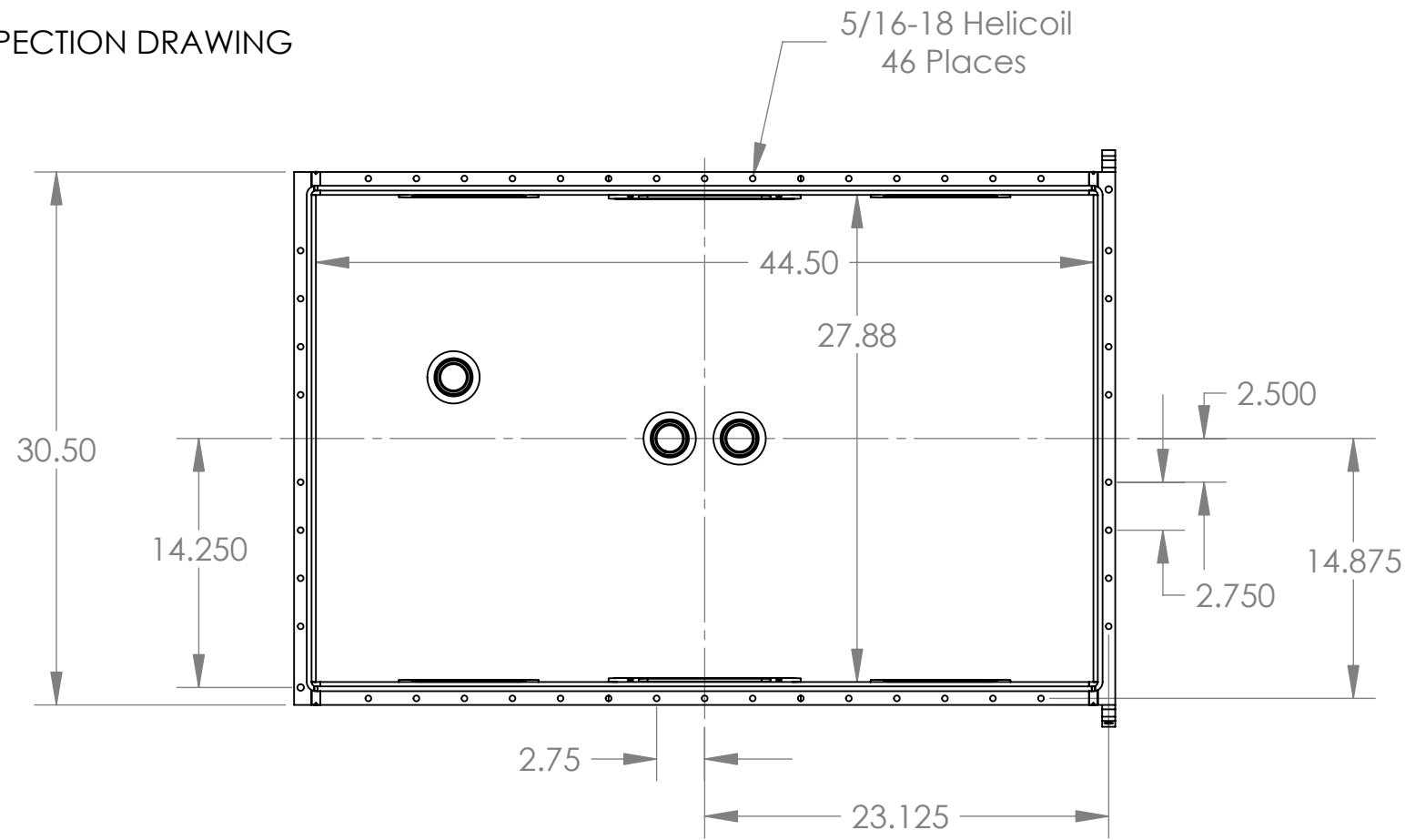


INSPECTION DRAWING



UNLESS OTHERWISE SPECIFIED DIMENSIONS  
ARE IN INCHES, REMOVE BURRS AND  
BREAK SHARP EDGES 0.005-0.010  
TOLERANCES: .XX±.010 .XXX±.005  
ANGLES ±0.5° UNLESS NOTED,  
ALL SURFACES 64 UNLESS NOTED

MATERIAL:  
**6061-T6 AL**



**TRIPLESPEC**

Cornell University  
Center for Radiophysics and Space Research - Ithaca, NY 14853

NAME:	INIT.	DATE:	TITLE:
DRAWN:	SCP	11/01/06	<b>LARGE SHELL</b>
CHECKED:	CH	11/XX/06	
APPROVED:			
FABRICATED:			

SIZE: <b>B</b>	DRAWING #	REV
	<b>TRD3VW02</b>	<b>0</b>

SCALE: 1:10	DATE: 11/2/2006	SHEET 1 OF 1
-------------	-----------------	--------------

FILE: TRD3VW02 Large Shell