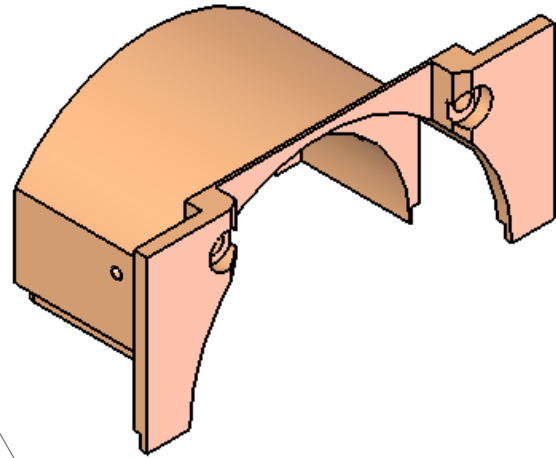
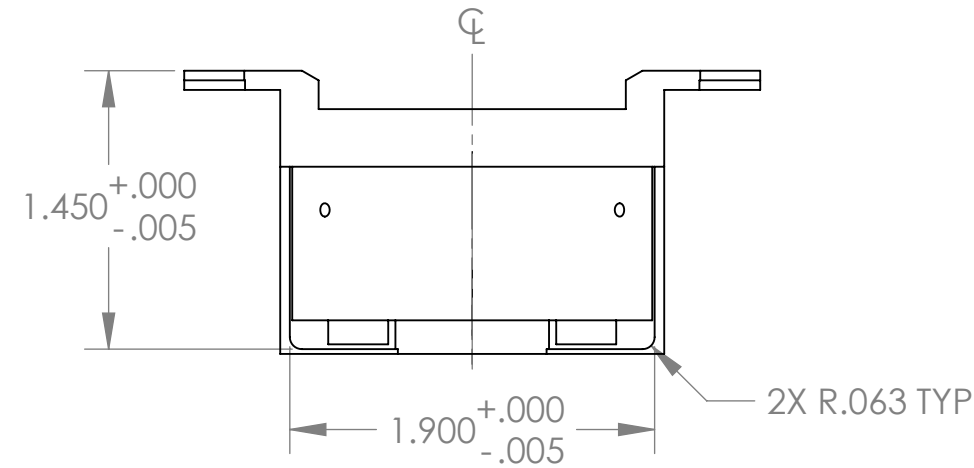
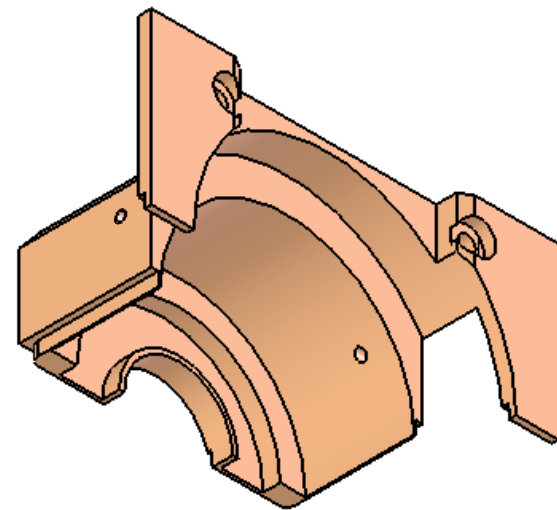
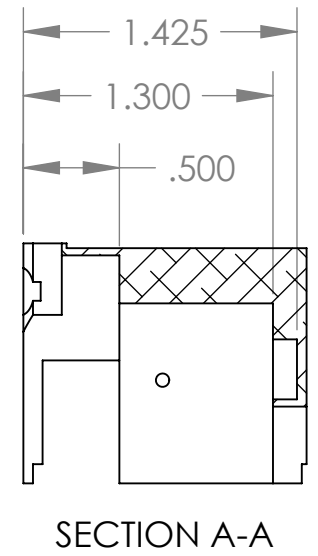
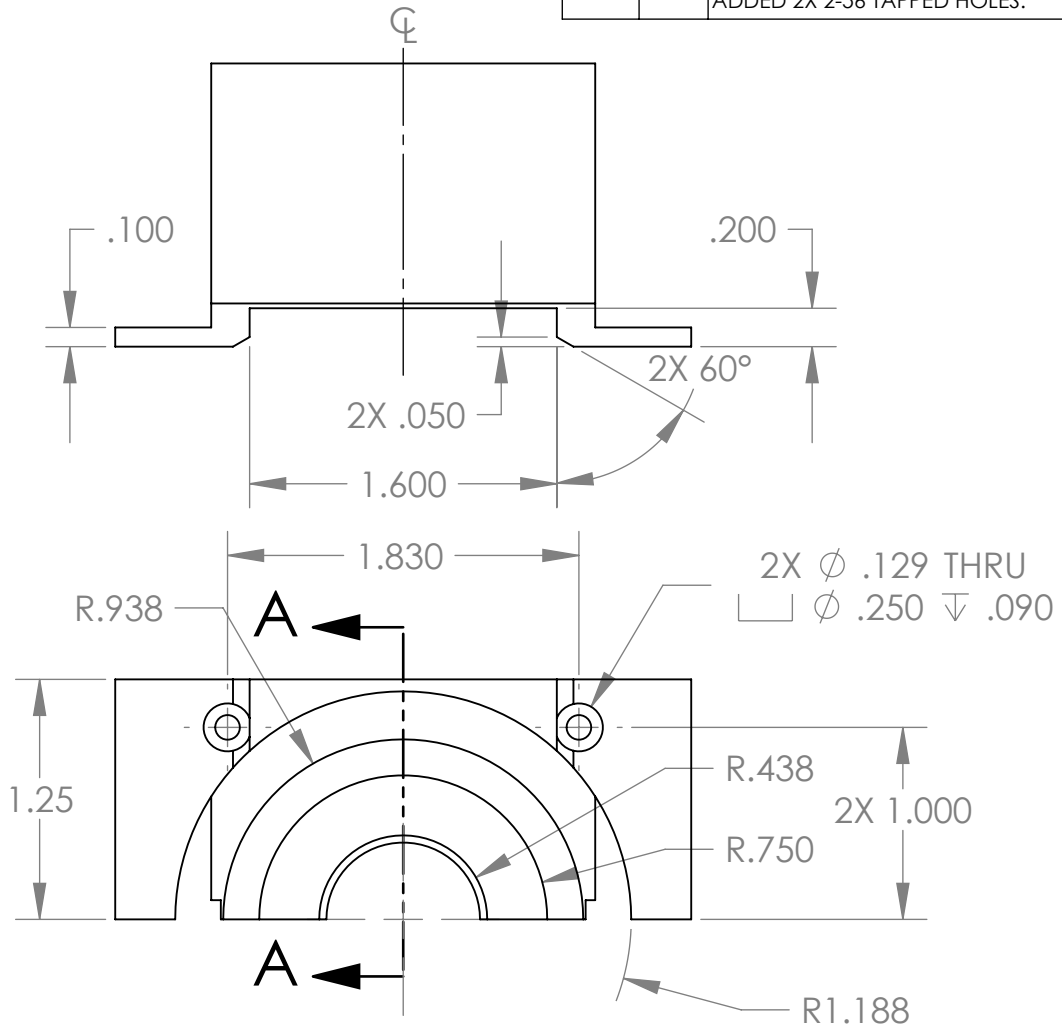
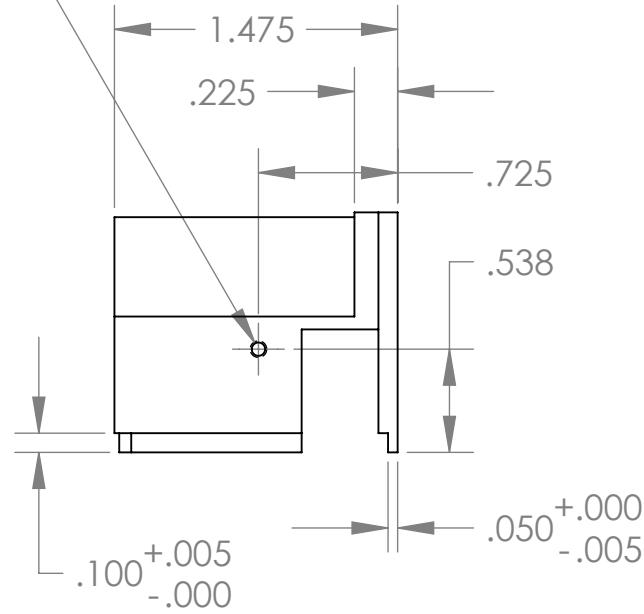
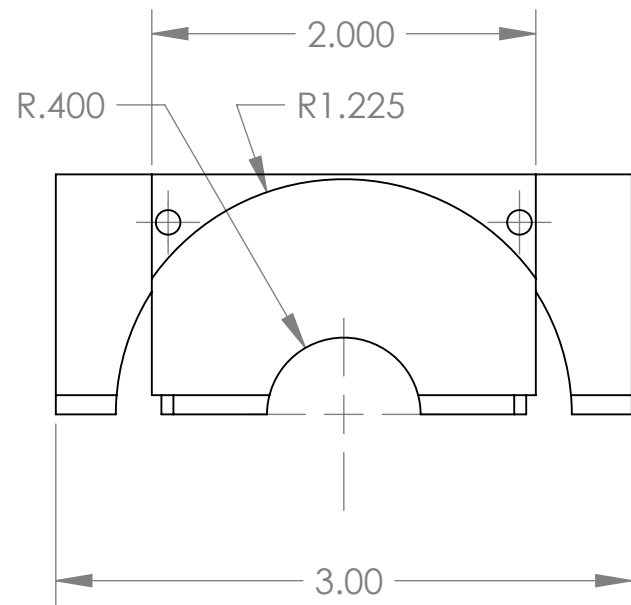


REVISIONS				
ZONE	REV.	DESCRIPTION	DATE	APPROVED
	0	INITIAL RELEASE.	05/31/07	JCW
D2	1	CHANGED .150 TO .200, ADDED ϕ 2.375 X .500 BORE, ADDED 2X 2-56 TAPPED HOLES.	06/27/07	SCP



ϕ .070 ∇ .262
2-56 UNC ∇ .172
(BOTH SIDES)



UNLESS OTHERWISE SPECIFIED DIMENSIONS ARE IN INCHES, REMOVE BURS AND BREAK SHARP EDGES 0.005-0.010
TOLERANCES: .XX \pm .010 .XXX \pm .005
ANGLES \pm 0.5° UNLESS NOTED, ALL SURFACES 64 UNLESS NOTED

MATERIAL: 6061-T6 ALUM
QTY: 3



NAME: INIT. DATE: TITLE:
DRAWN: SCP 05/29/07
CHECKED: SCP 06/27/07
APPROVED:
FABRICATED:

TRIPLESPEC

Cornell University
Center for Radiophysics and Space Research - Ithaca, NY 14853

TITLE: AUX TANK BAFFLE LF

SIZE: B DRAWING # TRD7L034 REV 1

SCALE: 1:1 DATE: 6/27/2007 SHEET 1 OF 1

FILE: TRD7L034 Aux Tank Baffle LF