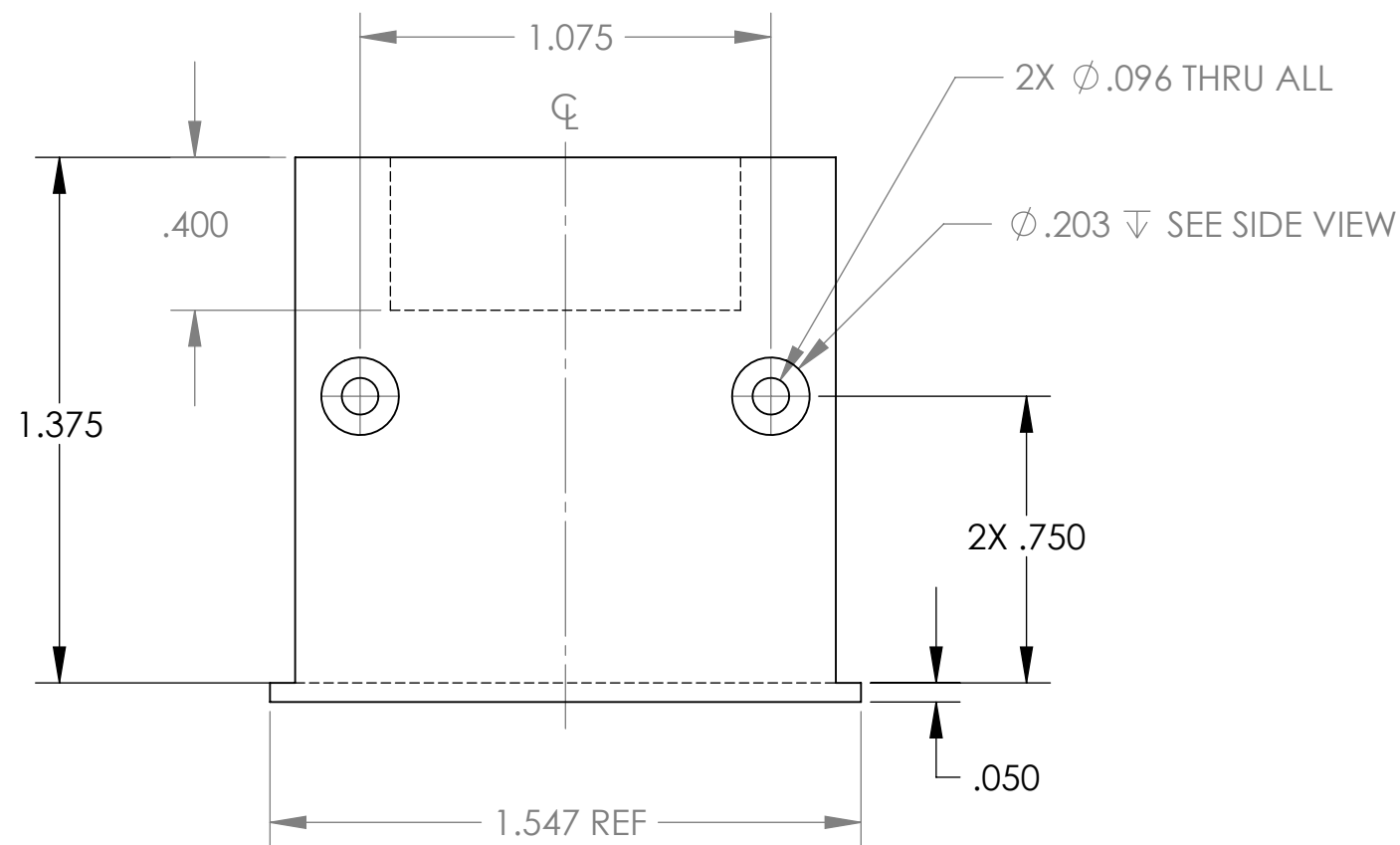
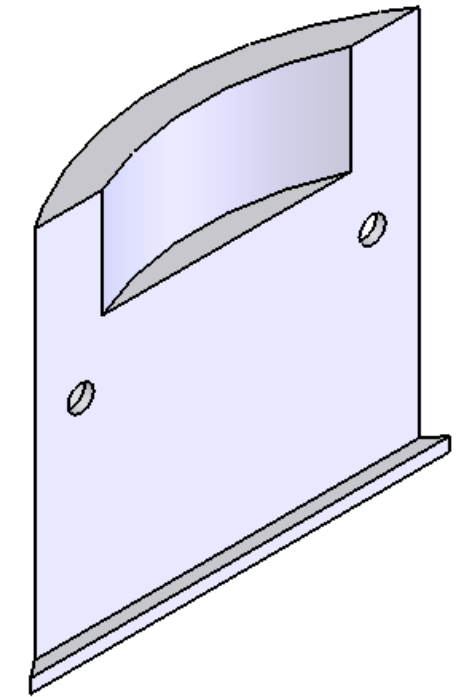
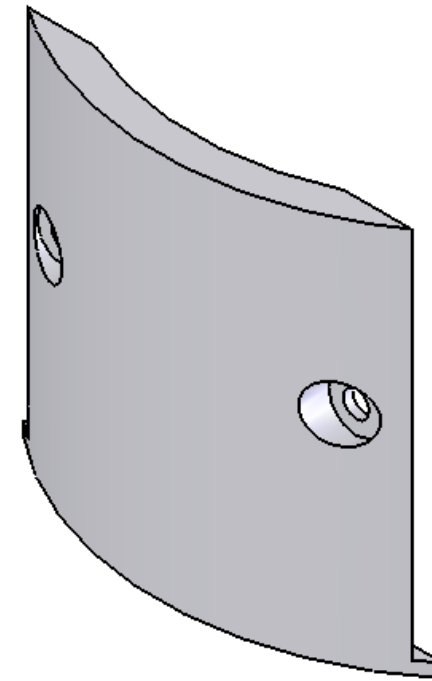
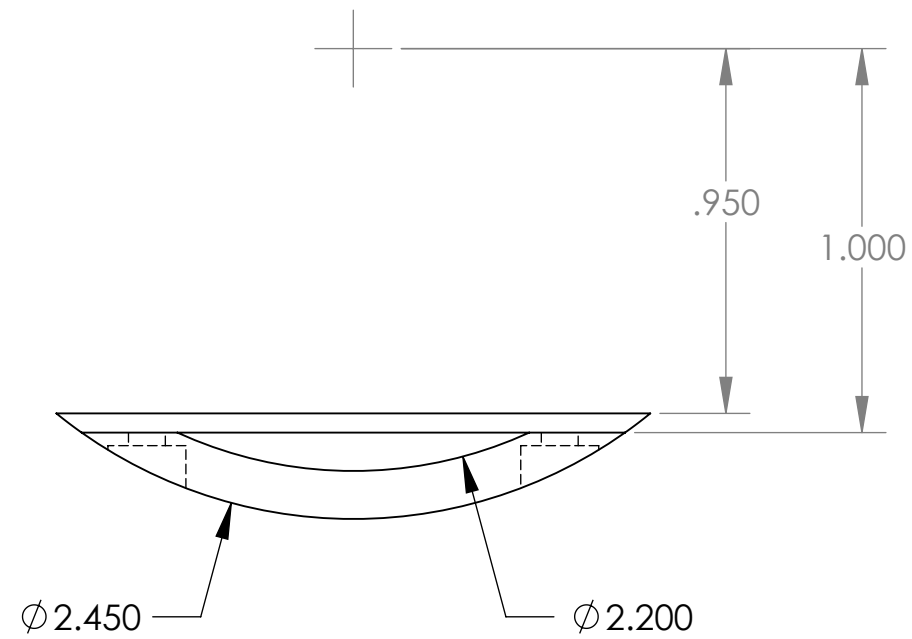
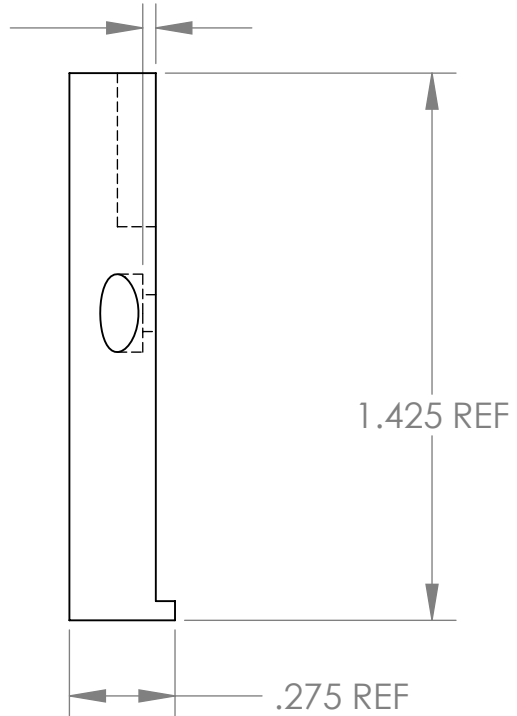


REVISIONS				
ZONE	REV.	DESCRIPTION	DATE	APPROVED
	0	INITIAL RELEASE.	06/25/07	JCW



.034 REMAINING MATERIAL ON C-BORE



UNLESS OTHERWISE SPECIFIED DIMENSIONS ARE IN INCHES, REMOVE BURRS AND BREAK SHARP EDGES 0.005-0.010
 TOLERANCES: .XX ± .010 .XXX ± .005
 ANGLES ± 0.5° UNLESS NOTED, ALL SURFACES 64 UNLESS NOTED
 MATERIAL: 6061-T6 ALUM
 QTY: 6

TRIPLESPEC
 NAME: INIT. DATE: 06/25/07
 DRAWN: SCP
 CHECKED: JCW
 APPROVED: JCW
 FABRICATED:
 FILE: TRD7L037 Aux Tank Baffle Block

Cornell University
 Center for Radiophysics and Space Research - Ithaca, NY 14853
 TITLE: AUX TANK BAFFLE BLOCK
 SIZE: B DRAWING # TRD7L037 REV 0
 SCALE: 2:1 DATE: 6/25/2007 SHEET 1 OF 1