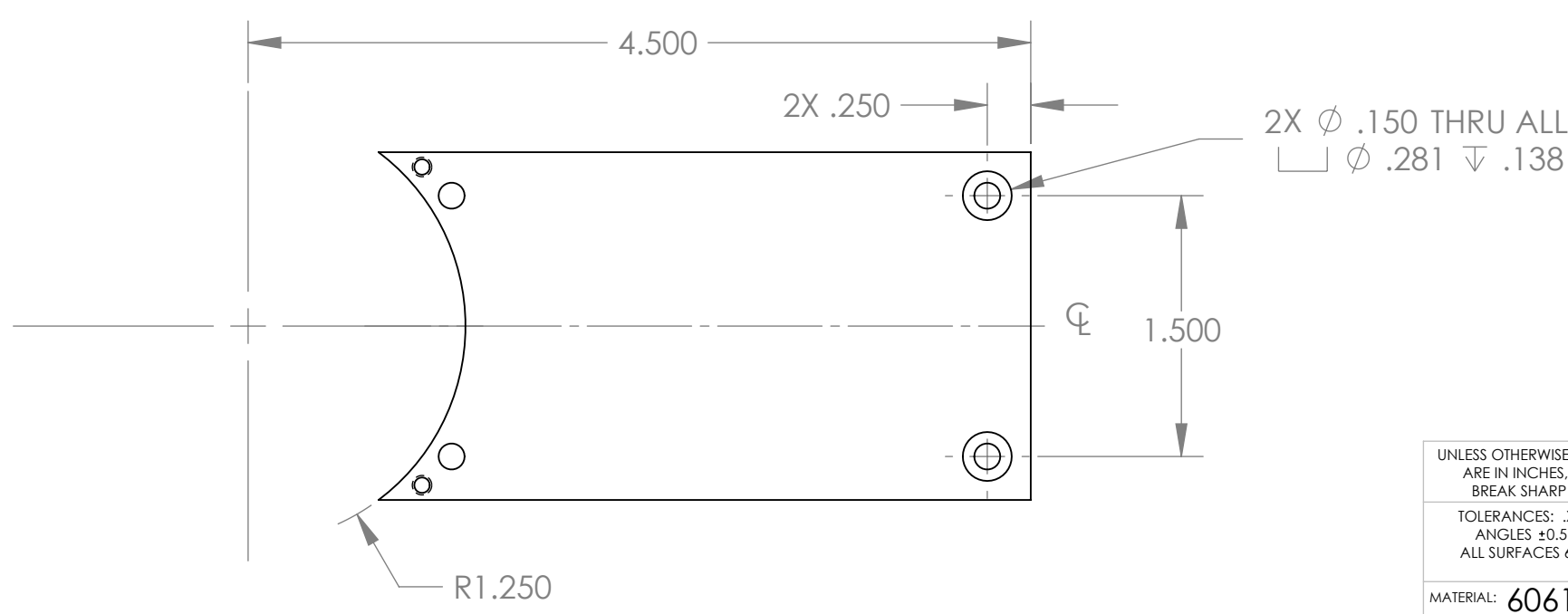
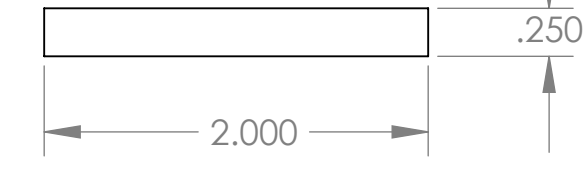
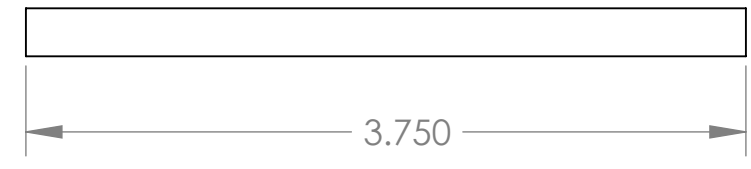
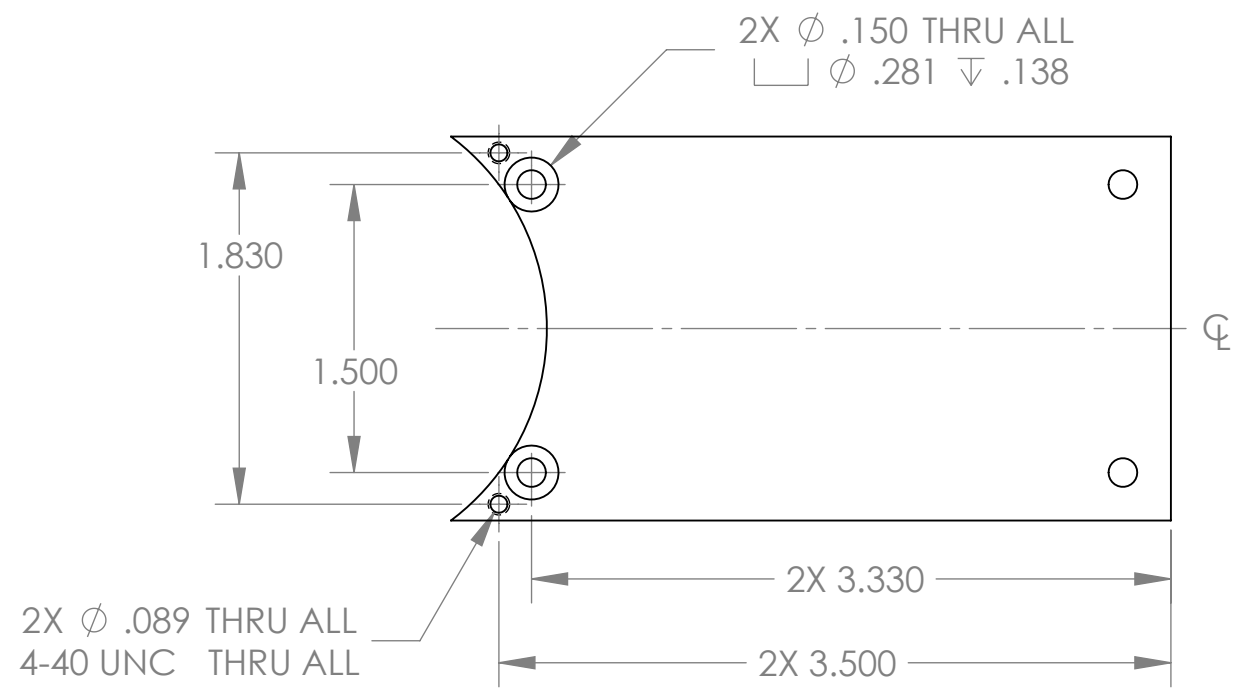
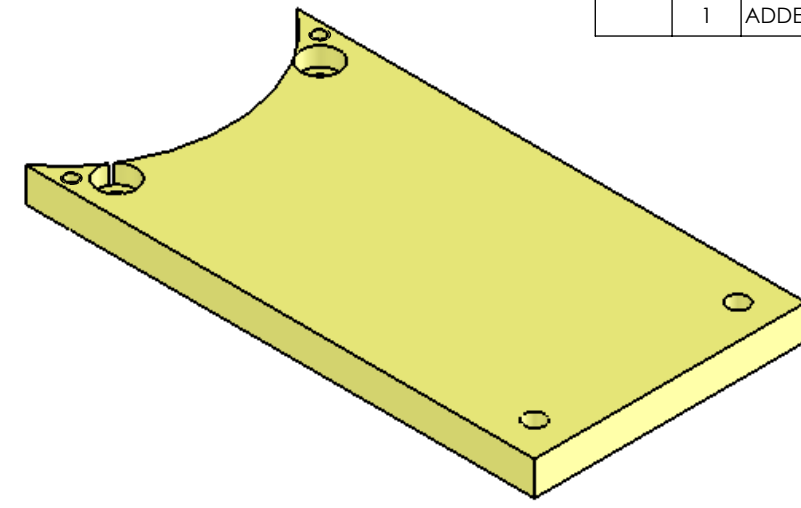


REVISIONS				
ZONE	REV.	DESCRIPTION	DATE	APPROVED
	0	INITIAL RELEASE.	??	CH
	1	ADDED 2X 4-40 TAPPED HOLES.	5/31/07	JCW



UNLESS OTHERWISE SPECIFIED DIMENSIONS ARE IN INCHES, REMOVE BURS AND BREAK SHARP EDGES 0.005-0.010

TOLERANCES: .XX $\pm$ .010 .XXX $\pm$ .005  
 ANGLES  $\pm$ 0.5 $^\circ$  UNLESS NOTED,  
 ALL SURFACES 64 UNLESS NOTED

MATERIAL: **6061-T6 ALUM**  
**QTY: 6**

TRIPLESPEC

Cornell University  
 Center for Radiophysics and Space Research - Ithaca, NY 14853

NAME:	INIT.	DATE:	TITLE:
DRAWN:	SCP	05/25/07	AL MOUNT PLATE
CHECKED:	JCW	05/31/07	
APPROVED:			
FABRICATED:			

FILE: TRDAT08 AL MOUNT PLATE

SIZE: <b>B</b>	DRAWING # TRDAT08	REV <b>1</b>
SCALE: 1:1	DATE: 5/31/2007	SHEET 1 OF 1