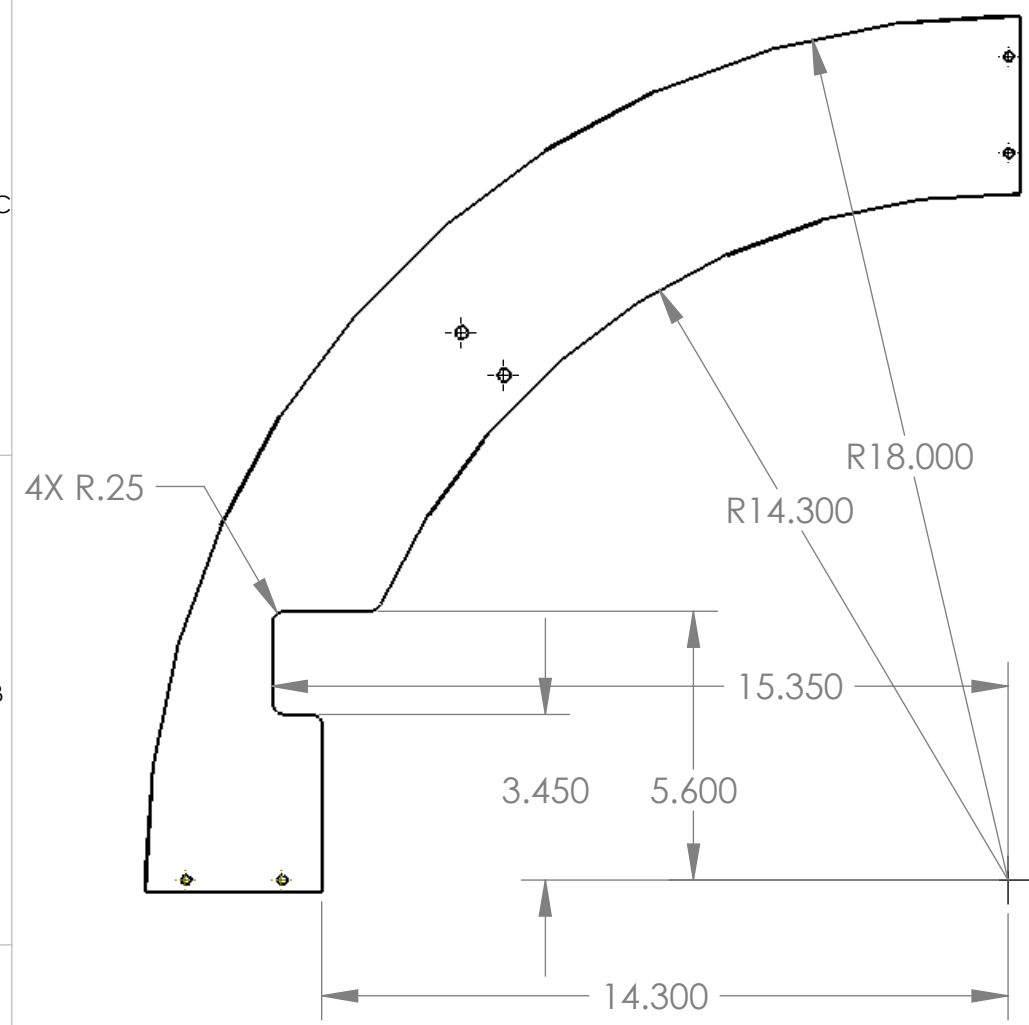
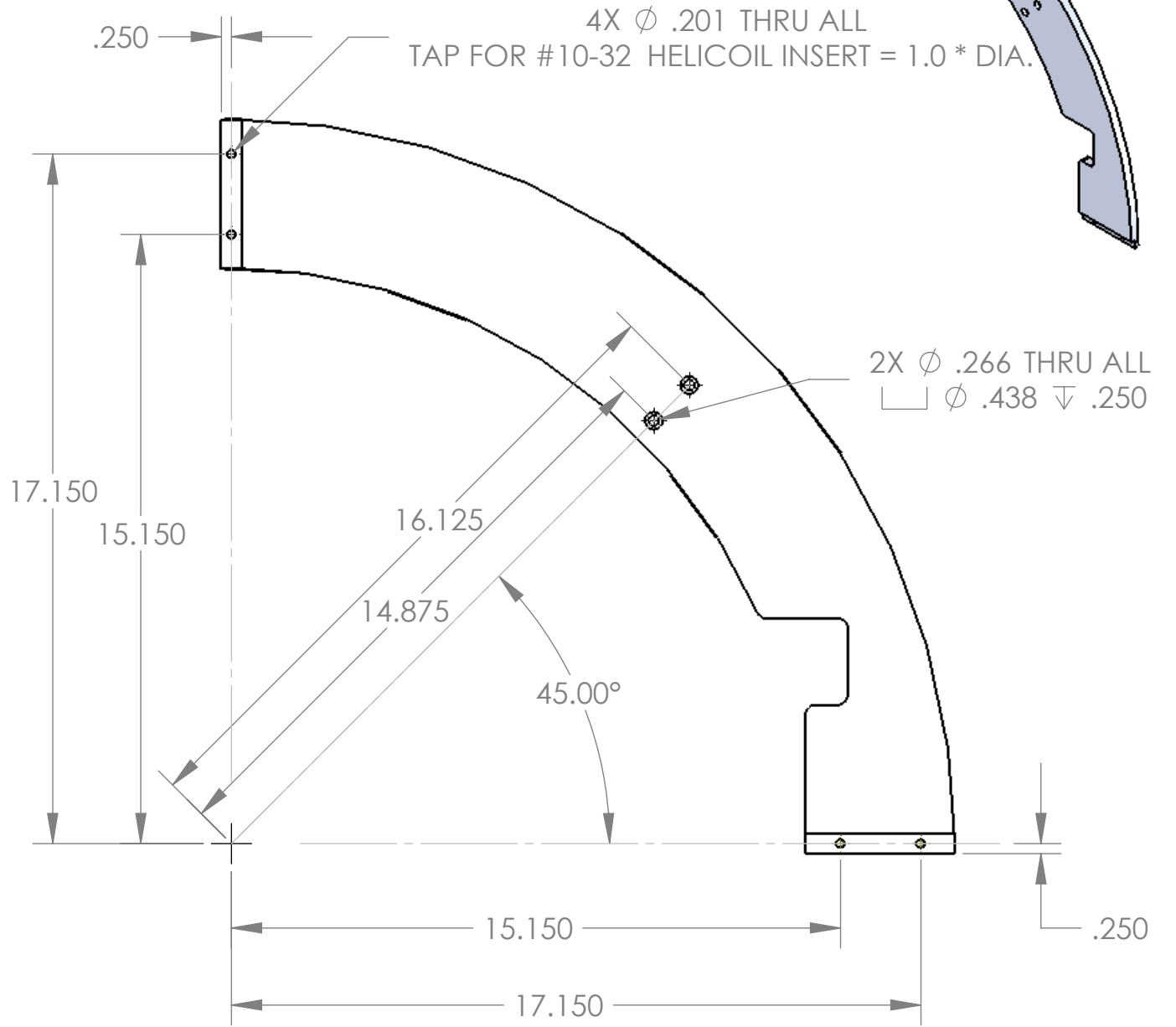
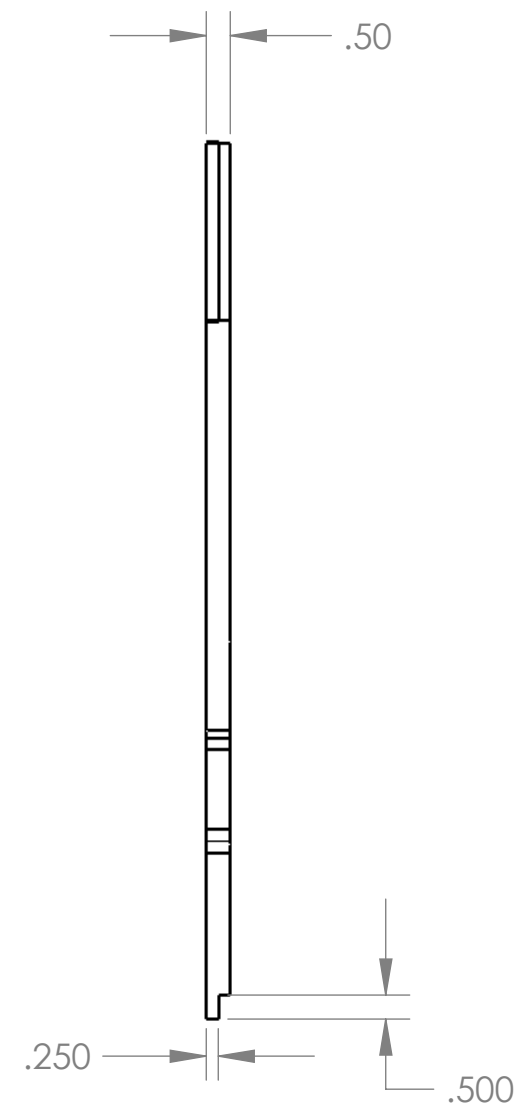
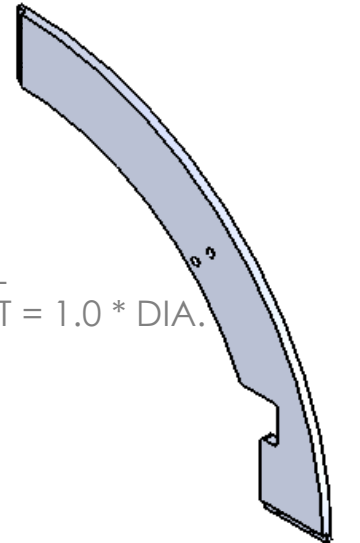
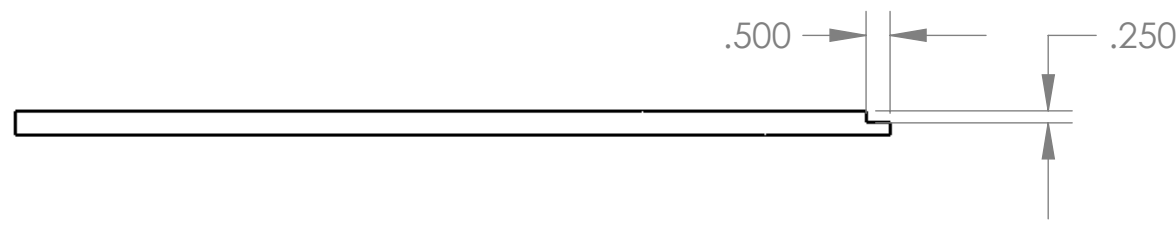


REVISIONS				
ZONE	REV.	DESCRIPTION	DATE	APPROVED
	0	INITIAL RELEASE.	01/21/08	CH



UNLESS OTHERWISE SPECIFIED DIMENSIONS ARE IN INCHES, REMOVE BURRS AND BREAK SHARP EDGES 0.005-0.010

TOLERANCES: .XX \pm .010 .XXX \pm .005
ANGLES \pm 0.5° UNLESS NOTED,
ALL SURFACES 64 UNLESS NOTED

MATERIAL: 6061-T6 ALUM
QTY: 1

TRIPLESPEC Cornell University
Center for Radiophysics and Space Research - Ithaca, NY 14853

NAME:	INIT.:	DATE:	TITLE:
DRAWN:	CH		Top Star Arc
CHECKED:			SIZE: B
APPROVED:			DRAWING # TRDMO003
FABRICATED:			REV 0
FILE: TRDMO003 Top Star Arc	SCALE: 1:4	DATE: 1/21/2008	SHEET 1 OF 1