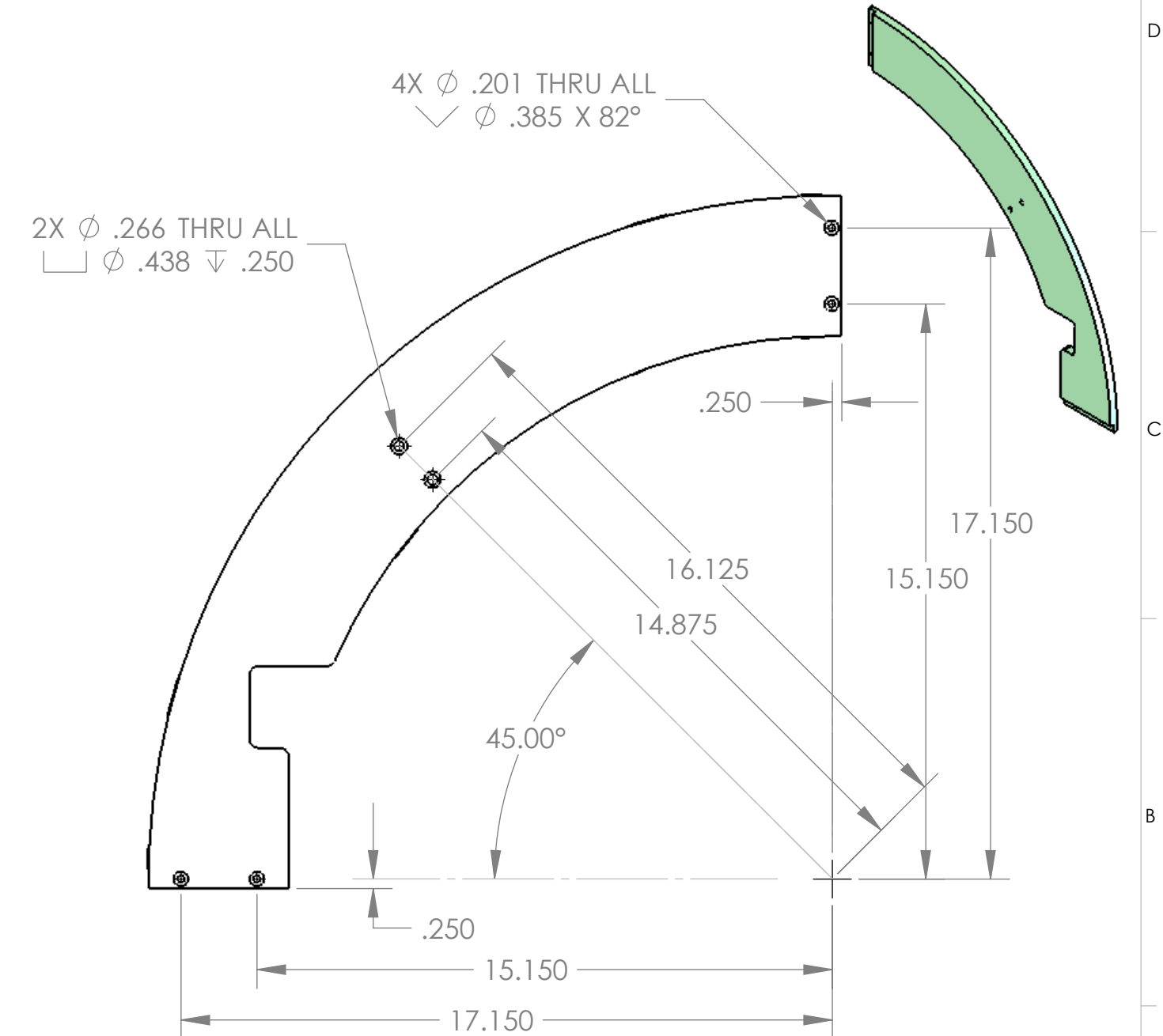
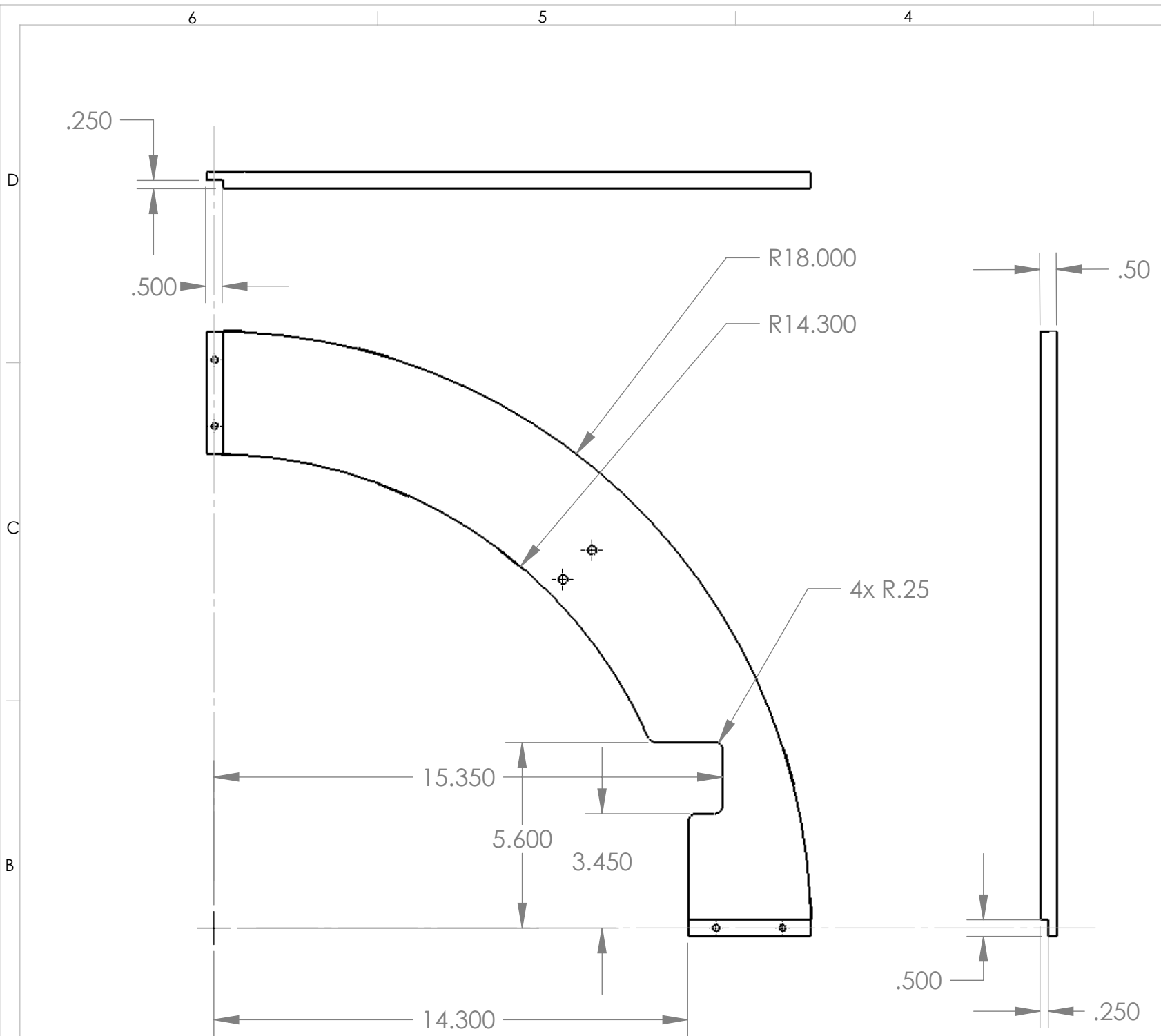


REVISIONS				
ZONE	REV.	DESCRIPTION	DATE	APPROVED
	0	INITIAL RELEASE.	01/21/08	CH
1-D	1	Changed flat head CS to 82°	2/6/2008	CH



UNLESS OTHERWISE SPECIFIED DIMENSIONS ARE IN INCHES, REMOVE BURRS AND BREAK SHARP EDGES 0.005-0.010

TOLERANCES: .XX±.010 .XXX±.005
 ANGLES ±0.5° UNLESS NOTED,
 ALL SURFACES 64 UNLESS NOTED

MATERIAL: 6061-T6 ALUM
 QTY: 1

TRIPLESPEC
 Cornell University
 Center for Radiophysics and Space Research - Ithaca, NY 14853

NAME:	INIT.:	DATE:	TITLE:
DRAWN:	CH	01/21/08	Top Port Arc
CHECKED:			
APPROVED:			
FABRICATED:			

SIZE: B DRAWING # TRDMO004 REV 1

SCALE: 1:4 DATE: 2/6/2008 SHEET 1 OF 1

FILE: TRDMO004 Top Port Arc-Rev 1