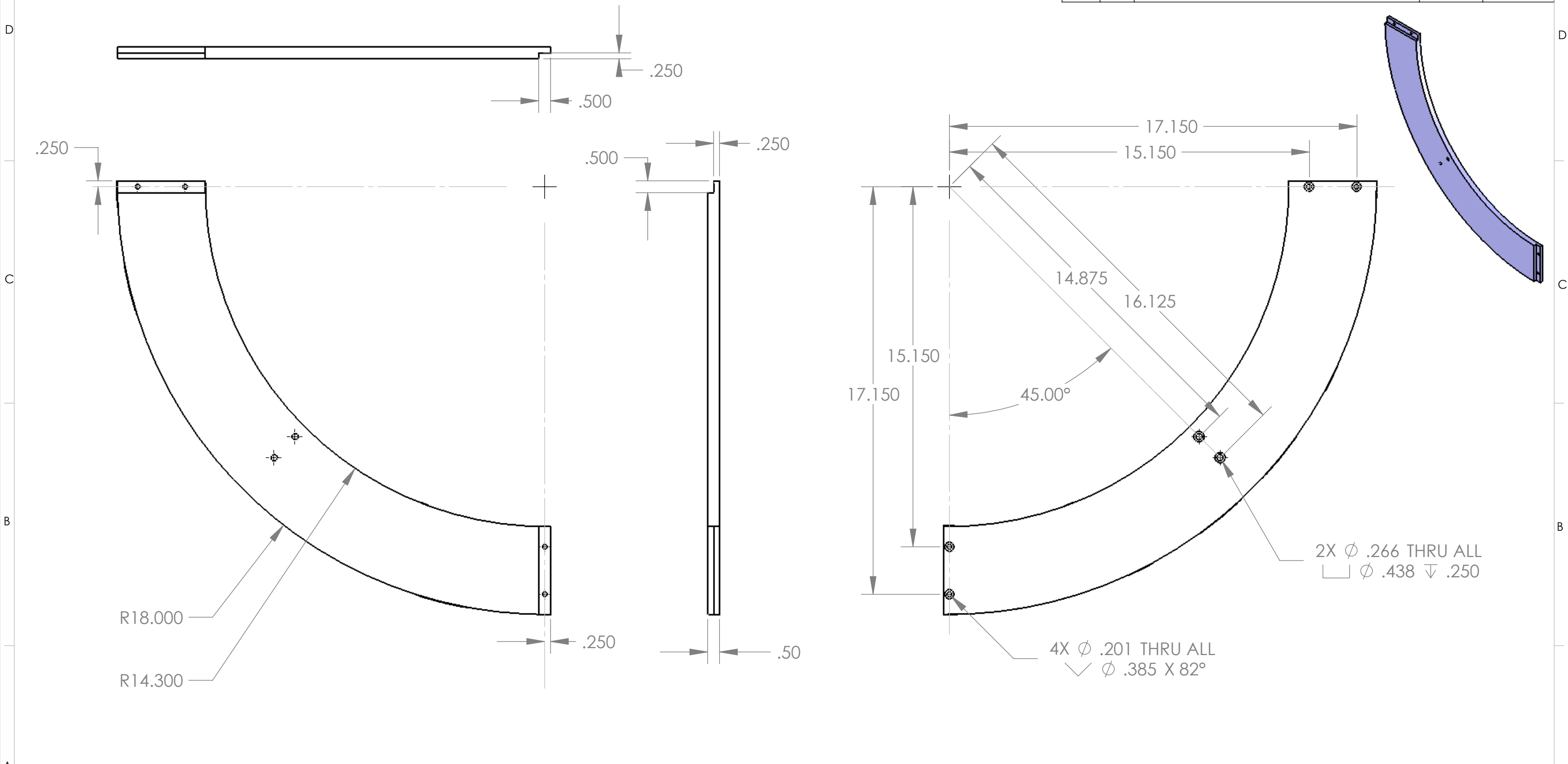


REVISIONS				
ZONE	REV.	DESCRIPTION	DATE	APPROVED
	0	INITIAL RELEASE.	01/21/08	CH
3-B	1	Chaged flat head CS to 82°	2/6/2008	CH



UNLESS OTHERWISE SPECIFIED DIMENSIONS ARE IN INCHES, REMOVE BURS AND BREAK SHARP EDGES 0.005-0.010

TOLERANCES: .XX±.010 .XXX±.005
 ANGLES ±0.5° UNLESS NOTED,
 ALL SURFACES 64 UNLESS NOTED

MATERIAL: **6061-T6 ALUM**
QNTY: 1

TRIPLESPEC Cornell University
Center for Radiophysics and Space Research - Ithaca, NY 14853

NAME:	INIT:	DATE:	TITLE:
DRAWN:	CH	01/21/08	Bottom Star Arc
CHECKED:			SIZE: B
APPROVED:			DRAWING # TRDMO005
FABRICATED:			REV 1

FILE: TRDMO005 Bottom Star Arc-Rev 1

SCALE: 1:4 DATE: 2/6/2008 SHEET 1 OF 1