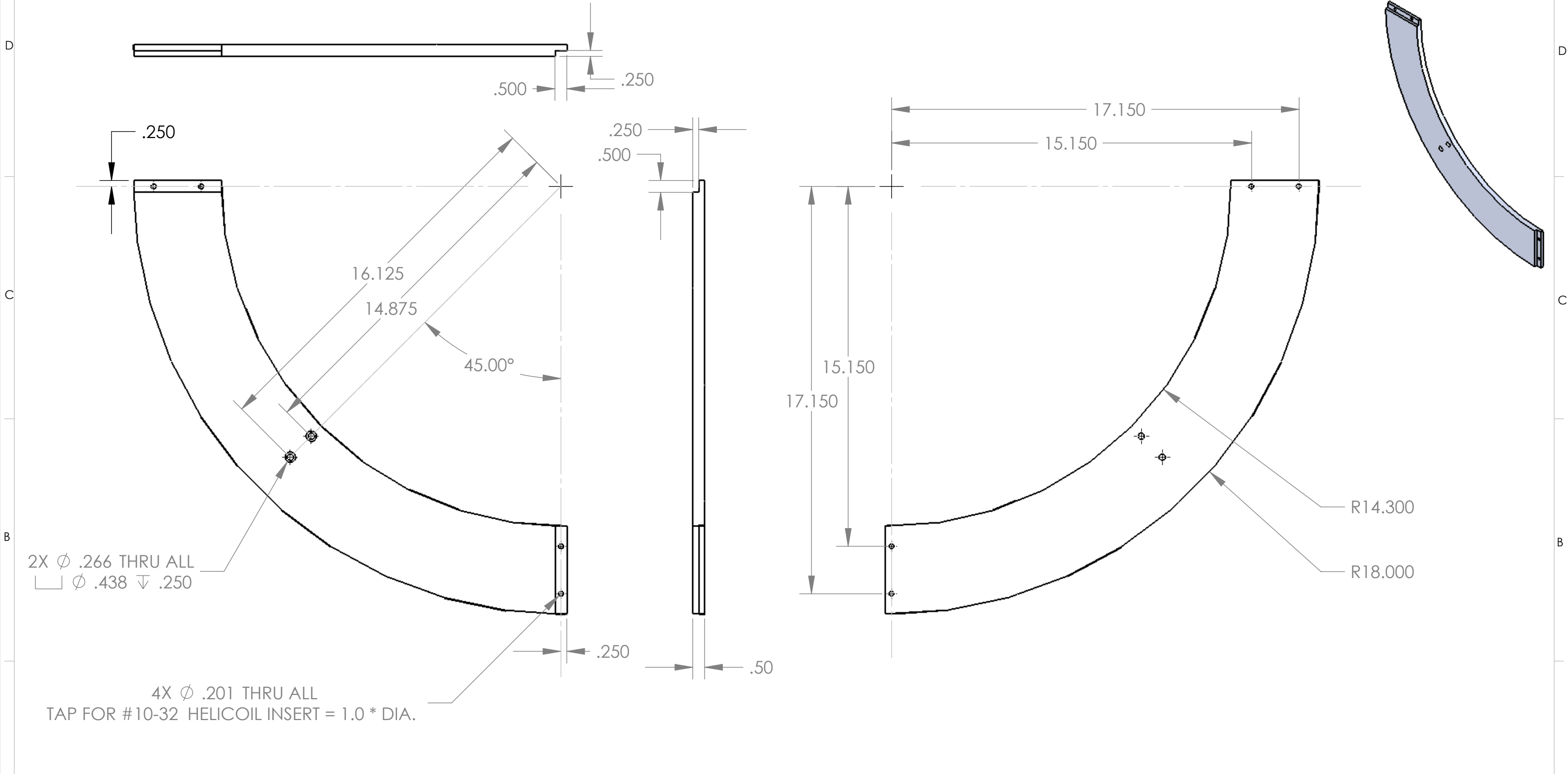


REVISIONS				
ZONE	REV.	DESCRIPTION	DATE	APPROVED
	0	INITIAL RELEASE.	01/21/08	CH



2X ϕ .266 THRU ALL
 \square ϕ .438 ∇ .250

4X ϕ .201 THRU ALL
 TAP FOR #10-32 HELICOIL INSERT = 1.0 * DIA.

UNLESS OTHERWISE SPECIFIED DIMENSIONS ARE IN INCHES, REMOVE BURS AND BREAK SHARP EDGES 0.005-0.010

TOLERANCES: .XX \pm .010 .XXX \pm .005
 ANGLES \pm 0.5° UNLESS NOTED,
 ALL SURFACES 64 UNLESS NOTED

MATERIAL: 6061-T6 ALUM
 QNTY: 1

TRIPLESPEC

Cornell University
 Center for Radiophysics and Space Research - Ithaca, NY 14853

NAME:	INIT.	DATE:	TITLE:
DRAWN:	CH	01/21/08	Bottom Port Arc
CHECKED:			
APPROVED:			
FABRICATED:			

SIZE: B	DRAWING # TRDMO006	REV 0
SCALE: 1:4	DATE: 1/21/2008	SHEET 1 OF 1

FILE: TRDMO006 Bottom Port Arc