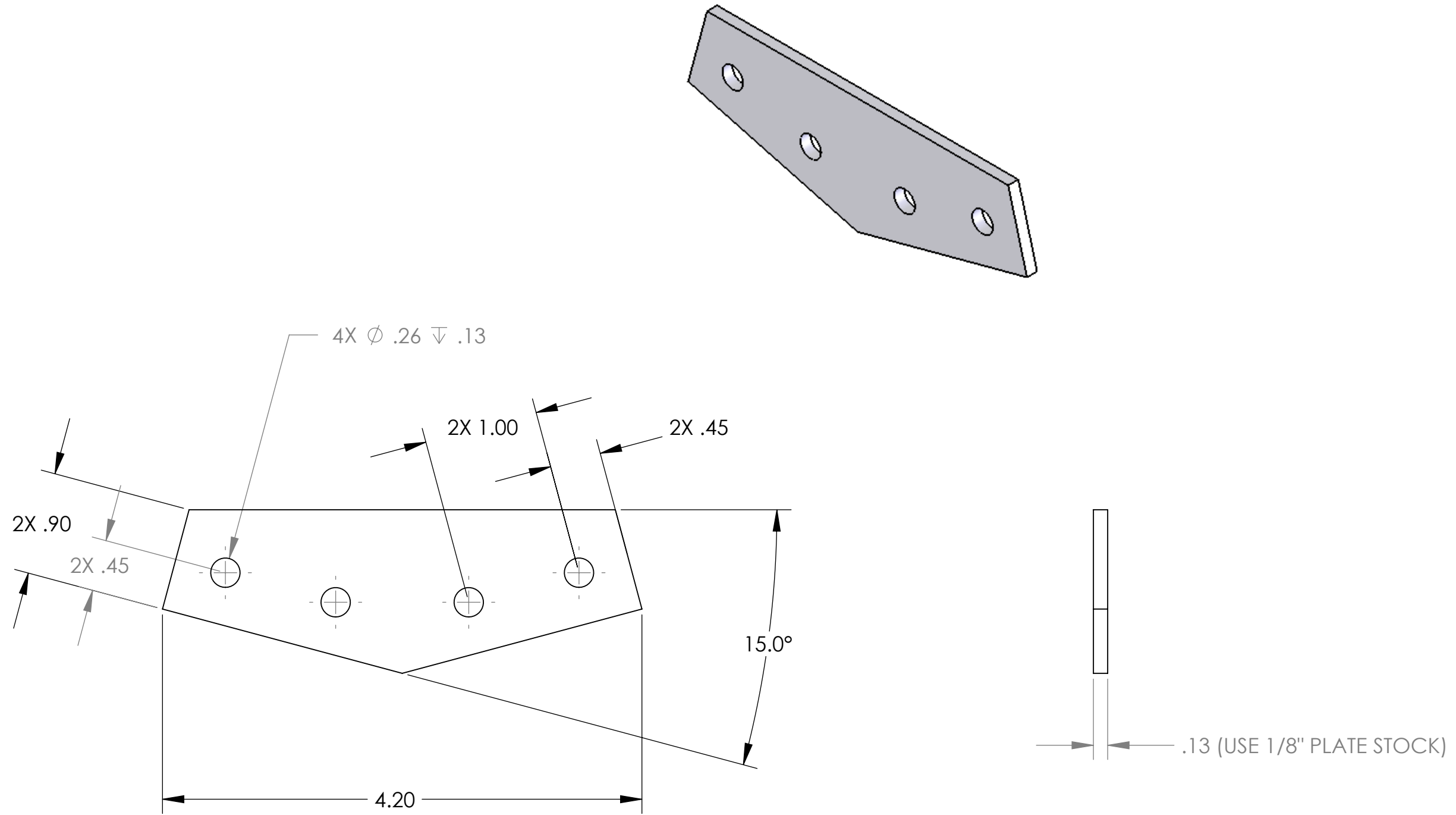




REVISIONS				
ZONE	REV.	DESCRIPTION	DATE	APPROVED
	0	INITIAL RELEASE.	08/02/07	JCW



UNLESS OTHERWISE SPECIFIED DIMENSIONS ARE IN INCHES, REMOVE BURS AND BREAK SHARP EDGES 0.005-0.010

TOLERANCES: .XX ± .010 .XXX ± .005
 ANGLES ± 0.5° UNLESS NOTED,
 ALL SURFACES 64 UNLESS NOTED

MATERIAL: 6061-T6 ALUM
 QTY: 72

 		TRIPLESPEC		Cornell University Center for Radiophysics and Space Research - Ithaca, NY 14853	
NAME:	INIT.	DATE:	TITLE: ANGLE PLATE		
DRAWN:	SCP	07/31/07	SIZE: B		
CHECKED:	JCW	08/02/07	DRAWING # TRDEM01		
APPROVED:			REV 0		
FABRICATED:			SCALE: 1:1		
FILE: TRDEM01 angle plate			DATE: 8/3/2007		SHEET 1 OF 1