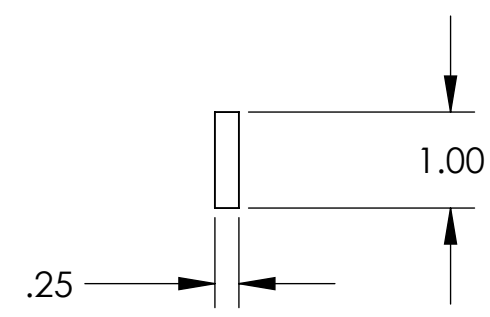
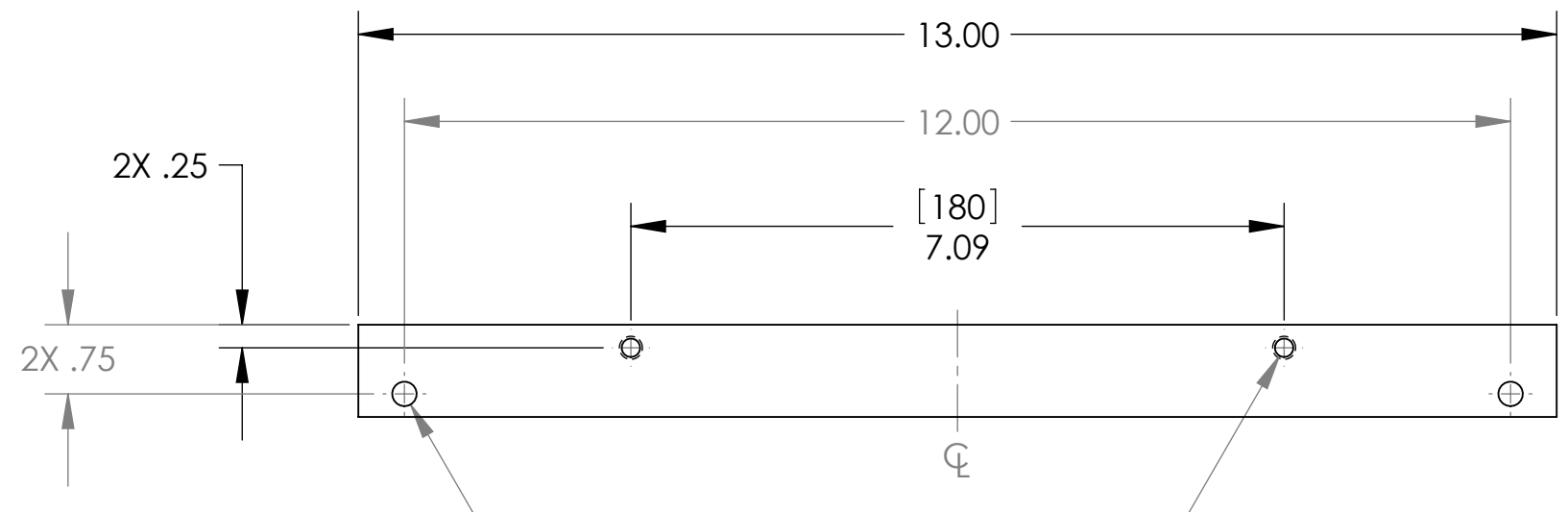
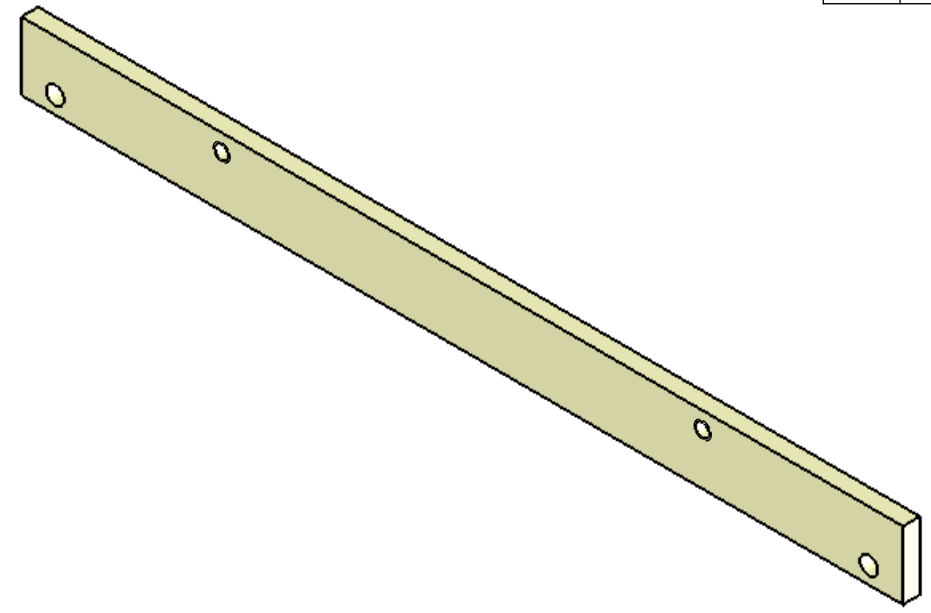


REVISIONS				
ZONE	REV.	DESCRIPTION	DATE	APPROVED
	0	INITIAL RELEASE.	08/02/07	JCW



2X ϕ .20 THRU ALL
1/4-20 UNC THRU ALL

2X ϕ .27 THRU ALL

UNLESS OTHERWISE SPECIFIED DIMENSIONS ARE IN INCHES, REMOVE BURRS AND BREAK SHARP EDGES 0.005-0.010				TRIPLESPEC		Cornell University Center for Radiophysics and Space Research - Ithaca, NY 14853	
TOLERANCES: .XX \pm .010 .XXX \pm .005 ANGLES \pm 0.5 $^\circ$ UNLESS NOTED, ALL SURFACES 64 UNLESS NOTED		NAME:	INIT.	DATE:	TITLE: LCPS RAIL		
MATERIAL: 6061-T6 ALUM QTY: 12		DRAWN:	SCP	07/31/07	SIZE: B		
		CHECKED:	JCW	08/02/07	DRAWING # TRDEM02		REV 0
		APPROVED:			SCALE: 1:2		DATE: 8/3/2007
		FABRICATED:			SHEET 1 OF 1		
FILE: TRDEM02 LCPS Rail							