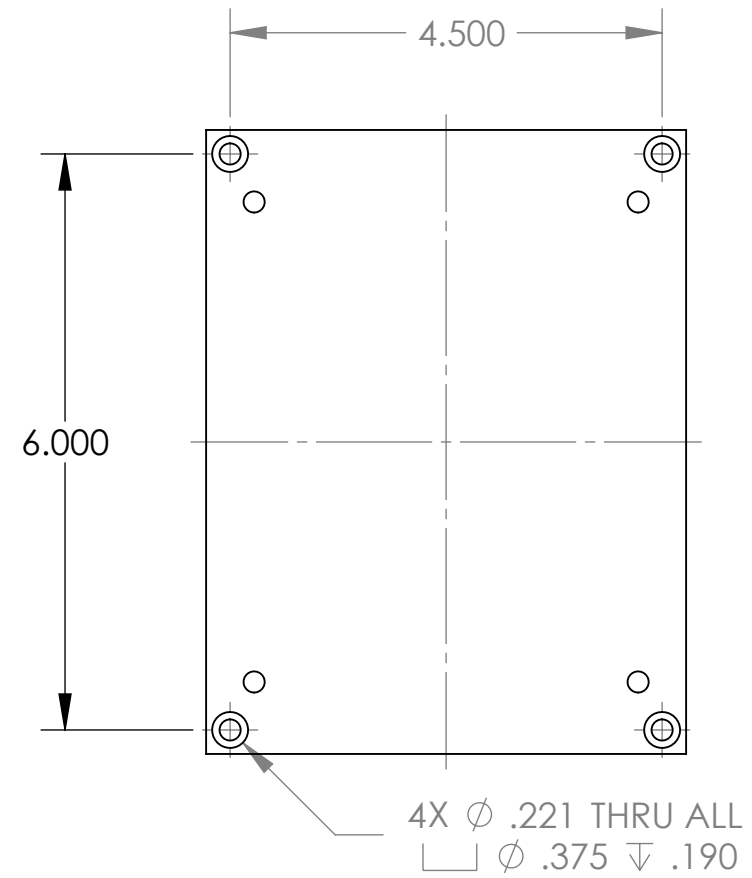
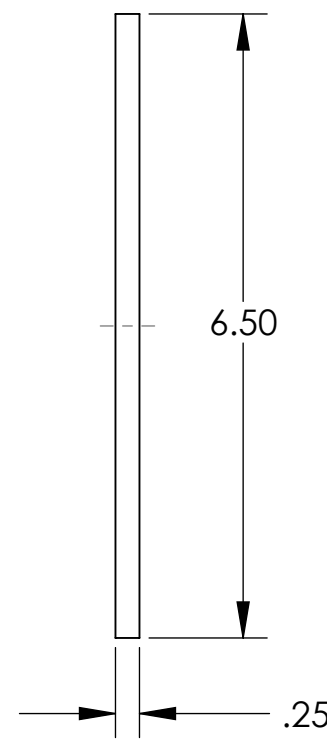
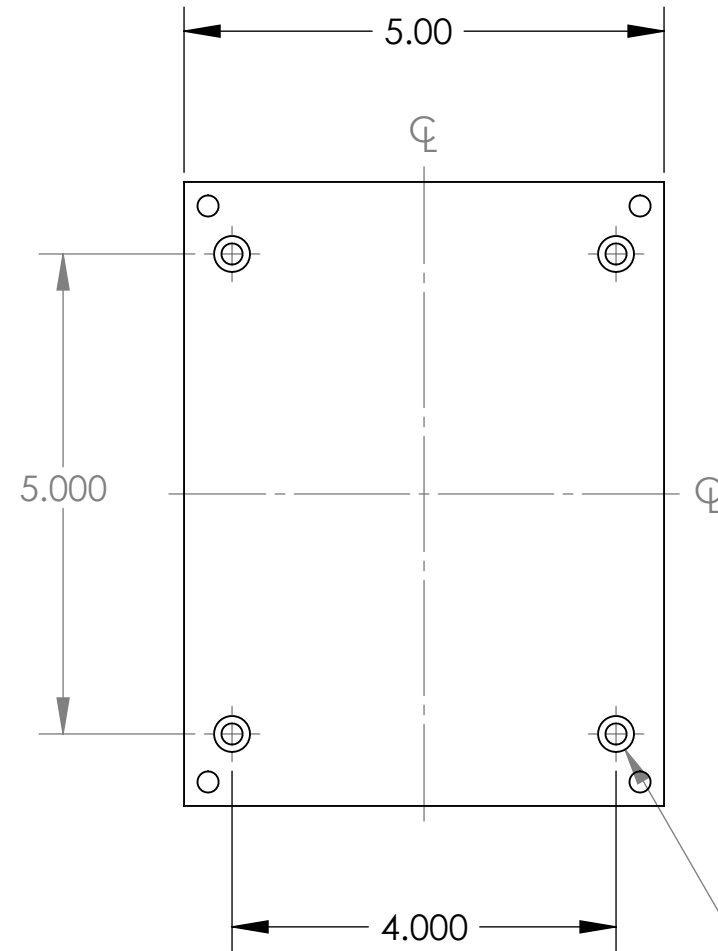
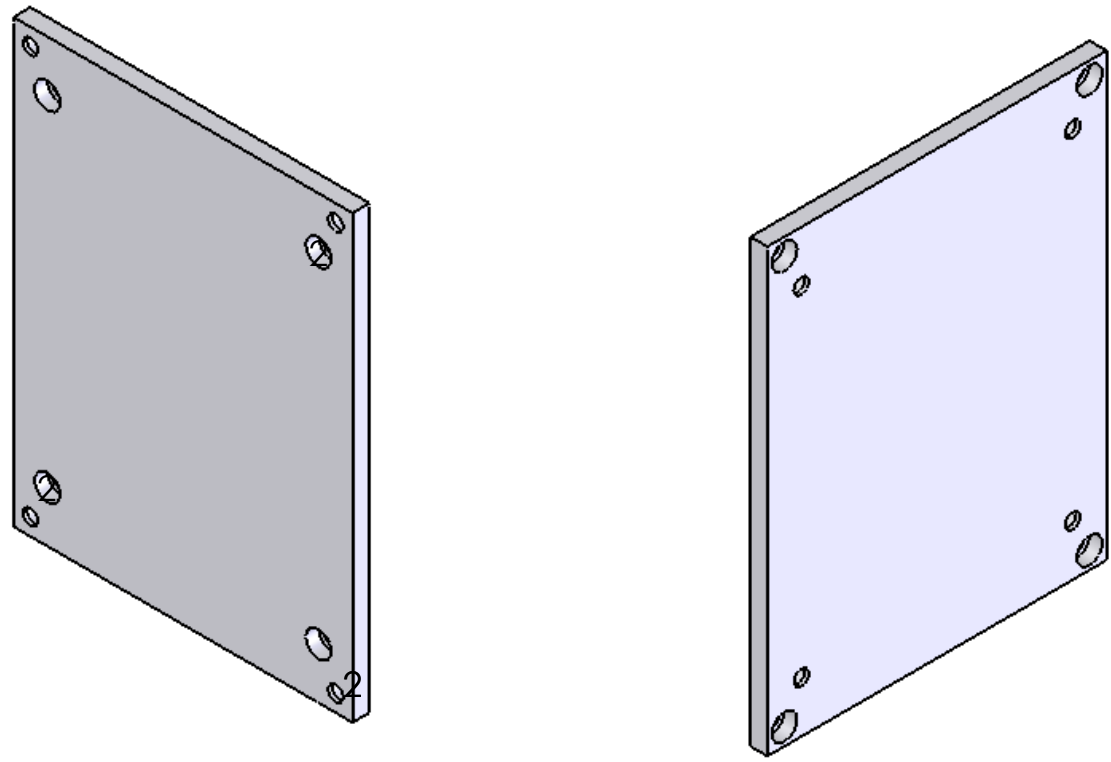


REVISIONS				
ZONE	REV.	DESCRIPTION	DATE	APPROVED
	0	INITIAL RELEASE.	08/02/07	JCW



4X ϕ .221 THRU ALL
 \square ϕ .375 ∇ .190

4X ϕ .221 THRU ALL
 \square ϕ .375 ∇ .190

UNLESS OTHERWISE SPECIFIED DIMENSIONS ARE IN INCHES, REMOVE BURRS AND BREAK SHARP EDGES 0.005-0.010				TRIPLESPEC		Cornell University Center for Radiophysics and Space Research - Ithaca, NY 14853	
TOLERANCES: .XX \pm .010 .XXX \pm .005 ANGLES \pm 0.5 $^\circ$ UNLESS NOTED, ALL SURFACES 64 UNLESS NOTED		NAME:	INIT.	DATE:	TITLE:		
MATERIAL: 6061-T6 ALUM QTY: 6		DRAWN:	SCP	07/31/07	LEACH CONTROLLER INTERFACE PLATE		
		CHECKED:	JCW	08/02/07	SIZE: B	DRAWING #	REV
		APPROVED:			TRDEM03 0		
		FABRICATED:			SCALE: 1:2	DATE: 8/3/2007	SHEET 1 OF 1
		FILE: TRDEM03 Leach Controller Interface Plate					