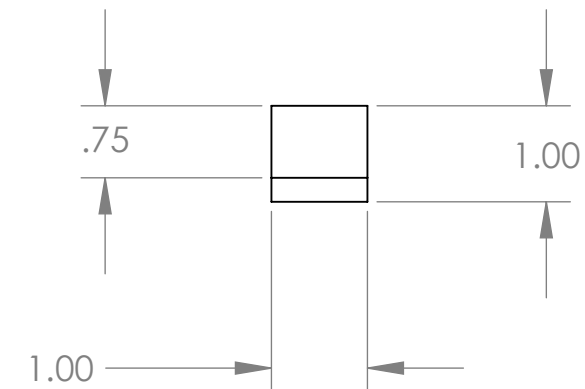
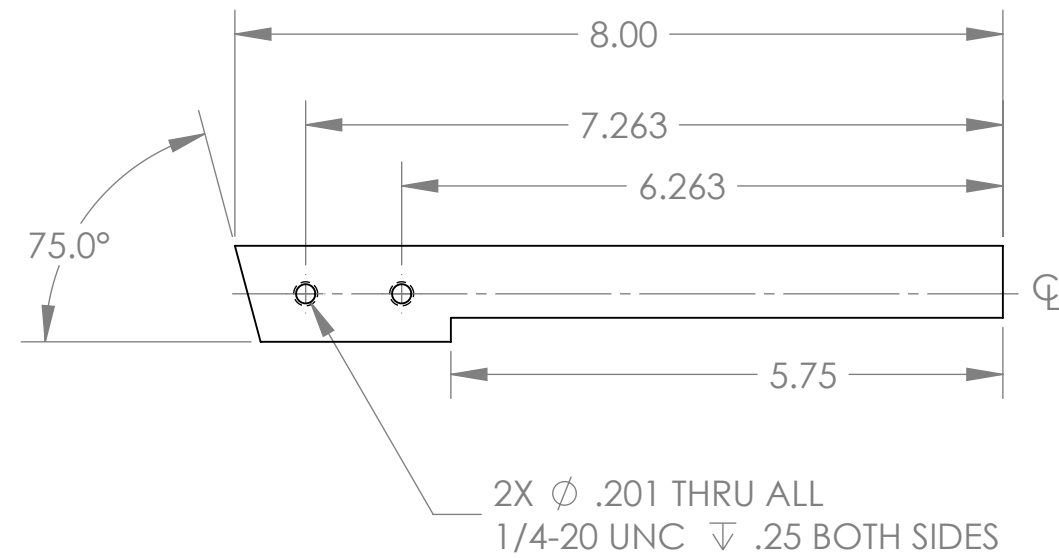
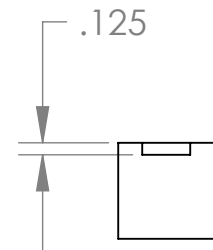
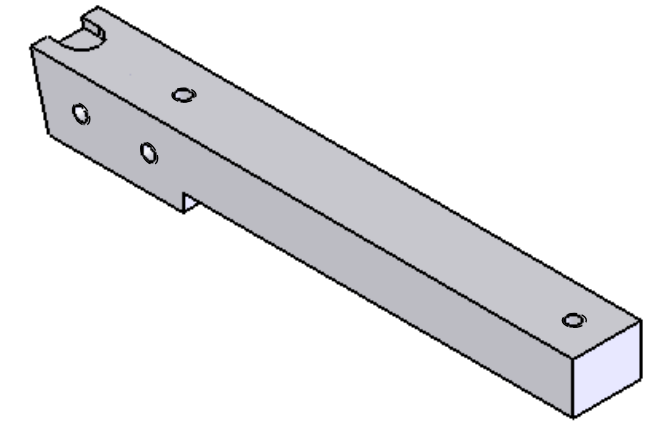
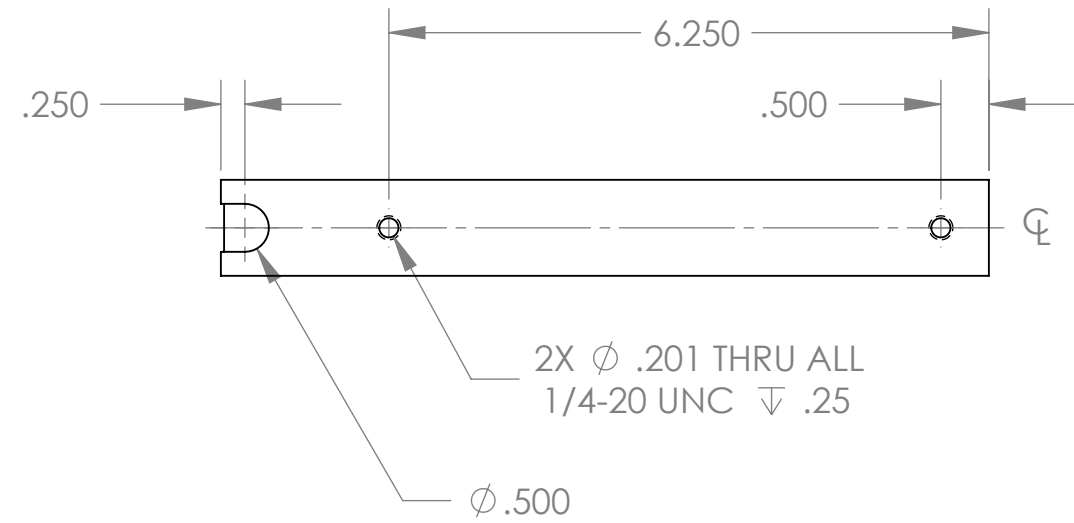


REVISIONS				
ZONE	REV.	DESCRIPTION	DATE	APPROVED
	0	INITIAL RELEASE.	08/02/07	JCW
	1	SIMPLIFIED RELIEF CUT FOR T-NUT INSERTION.	09/07/07	SCP



UNLESS OTHERWISE SPECIFIED DIMENSIONS ARE IN INCHES, REMOVE BURS AND BREAK SHARP EDGES 0.005-0.010

TOLERANCES: .XX $\pm .010$.XXX $\pm .005$
 ANGLES $\pm 0.5^\circ$ UNLESS NOTED,
 ALL SURFACES 64 UNLESS NOTED

MATERIAL: 6061-T6 ALUM
 QTY: 12



NAME: INIT. DATE: TITLE:
 DRAWN: SCP 09/07/07
 CHECKED: SCP 09/07/07
 APPROVED:
 FABRICATED:

TRIPLESPEC

Cornell University
 Center for Radiophysics and Space Research - Ithaca, NY 14853

TITLE: SX1010M - ANGLE

SIZE: B DRAWING # TRDEM04 REV 0

FILE: TRDEM04 SX1010M - angle

SCALE: 1:2 DATE: 9/6/2007 SHEET 1 OF 1